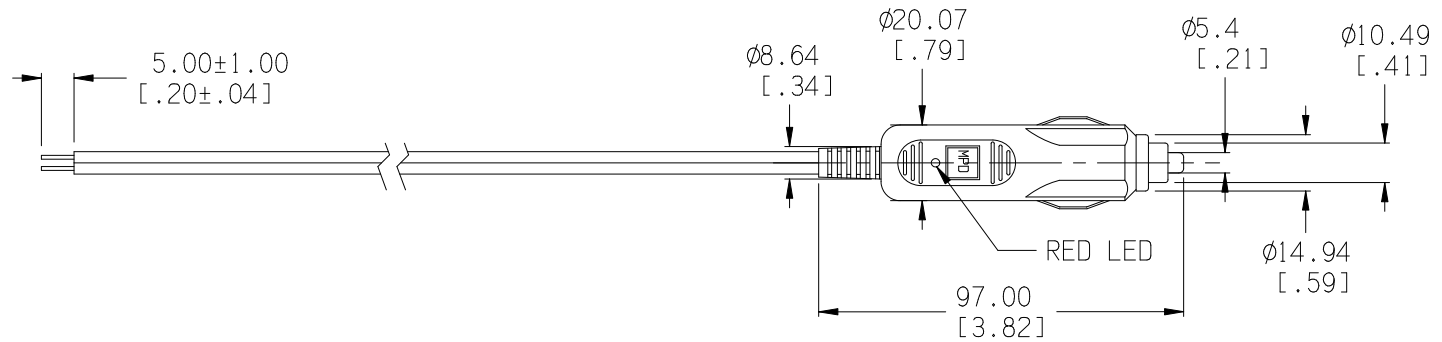


Date	SYM	REVISION RECORD	AUTH	DR.	CK.
5/06/06	A	Added "ROHS COMPLIANT"	T.B.	B.S.	
08/28/14	B	UPDATED TO ROHS 2 COMPLIANT	T.B.	B.S.	
02/17/17	C	DIM. 97.00 WAS 96.77 UPDATED NOTES	T.B.	B.S.	



ROHS 2 COMPLIANT

RATED FOR 5 AMPS. CONTINUOUS DUTY FOR 18 HRS

BILL OF MATERIAL

BILL OF MATERIAL			Tolerance (Inches)	MPD Memory Protection Devices, Inc. 200 Broad Hollow Road, Farmingdale, New York 11735	
PART #	QTY.	DESCRIPTION		Scale	Drawn By B.S.
APP-001	1	CIGARETTE PLUG FOR 21 OR 22.2mm DIA. SOCKETS	Decimal		Approved By T.B.
FUSE	1	3AG (6.35 x 30mm), 5 AMP.	$\pm .5$ (.020)		
CORD	1	SPT-1, 18 AWG, 105°C, UL-VW-1	Fractional	Title 6' AUTO POWER CORD SET WITH SOLDER LEADS	
CIGARETTE PLUG HOUSING: HIGH IMPACT ABS FLAMMABILITY RATED: UL94-HB, FILE NO. E56070 H.D.T. IS 85°C			Angular	Date 02/17/17	Drawing Number ZA5073-B
			$\pm 3^\circ$		