

**MICRO SWITCH**  
a Honeywell Division

FED.MFG.CODE 91929

SWITCH - BASIC

CATALOG LISTING  
3BV12B016

LP-R1659

CATALOG LISTING  
3BV12B016

PAGE 1 OF 1

ISSUE  
**M**  
3

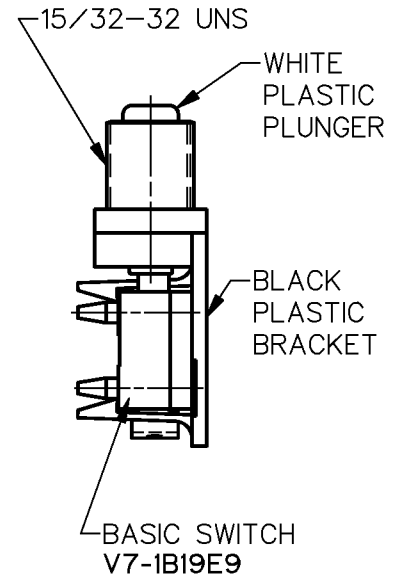
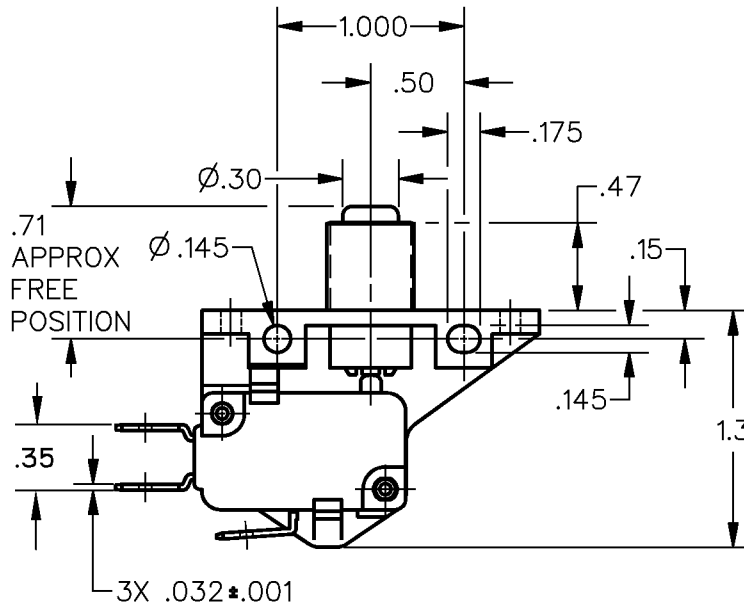
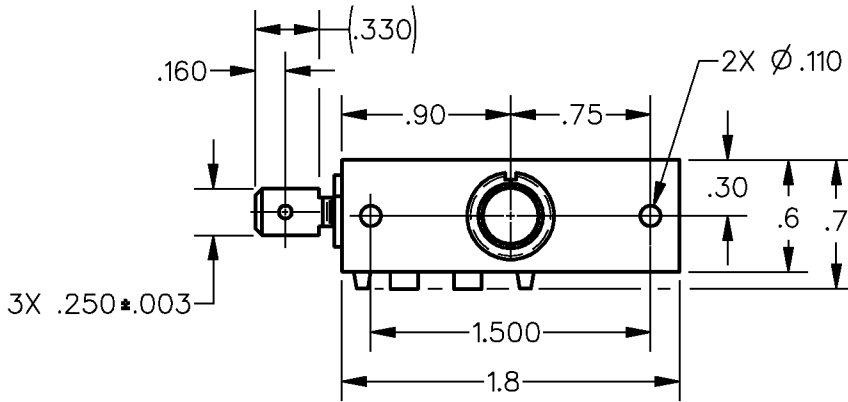
REVISIONS  
A PR REL PR24230  
JJA 23 AUG 99  
B 202161  
CSL 15 JAN 01

CHECK  
JAF 23 AUG 99

CHECK  
JAF

CHECK  
TSM 9 FEB 99

REPLACES  
PR-24230



NOTE  
1 - MARK BASIC SWITCH WITH V7-1B19E9

ANSI Y14.5M-1982 APPLIES

THIS DRAWING COVERS A PROPRIETARY ITEM AND IS THE PROPERTY OF MICRO SWITCH, A DIVISION OF HONEYWELL. THIS DRAWING IS NOT TO BE COPIED OR USED WITHOUT THE APPROVAL OF MICRO SWITCH.

THIRD ANGLE PROJECTION

| CHARACTERISTICS                   | ELECTRICAL DATA  | SCALE FULL                                       | DO NOT SCALE PRINT |
|-----------------------------------|--|--|--------------------|
| OPERATING FORCE --- 180 GRAMS MAX | CONTACT ARRANGEMENT<br>SPDT  | <b>UNLESS OTHERWISE SPECIFIED TOLERANCES ARE</b> |                    |
| PRETRAVEL --- .052 MAX            | L156 11A 1/3HP 125, 250 OR 277 VAC<br>1/2A 125 VDC, 1/4A 250 VDC<br>4A 125 VAC "L" | ONE PLACE (.0)                                   | ±.030              |
|                                   |  | TWO PLACE (.00)                                  | ±.015              |
|                                   |  | THREE PLACE (.000)                               | ±.005              |
|                                   |  | ANGLES   | ±                  |
|                                   |  | WEIGHT   |                    |

10 (3) 250 T85 IE5



RASTER  
DRAWN