

CM4732V301R-10

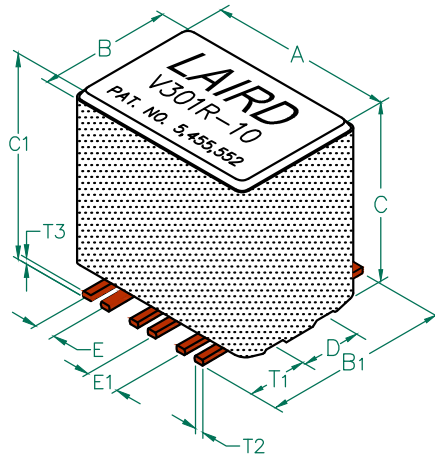
RoHS

PHYSICAL DIMENSIONS:

A	11.94 [.470]	+ 0.18 [.007]
B	8.13 [.320]	+ 0.13 [.005]
B ₁	10.92 [.430]	MAX
C	14.48 [.570]	+ 0.25 [.010]
C ₁	15.11 [.595]	MAX
D	4.06 [.160]	+ 0.05 [.002]
E	1.27 [.050]	+ 0.13 [.005]
E ₁	2.03 [.080]	+ 0.13 [.005]

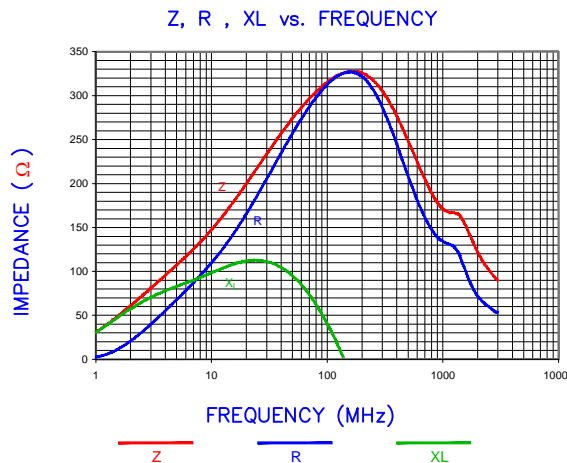
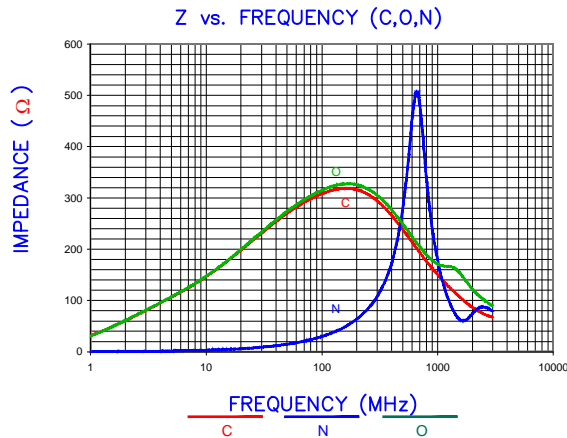
WIRE DIMENSIONS:

T ₁	3.30 [.130]	+ 0.38 [.015]
T ₂	0.64 [.025]	TYP
T ₃	0.38 [.015]	TYP



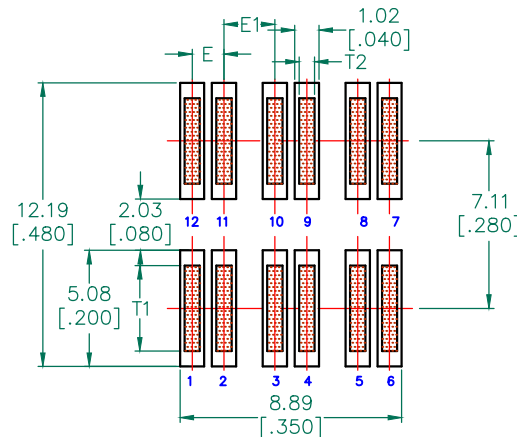
ELECTRICAL CHARACTERISTICS:			
Z @ 100MHz (Ω)	DCR (Ω)	Rated Current	Rated Voltage (VDC)
Nominal	300		
Minimum	225		
Maximum	375	0.01	8,000 mA
			30

- NOTES: UNLESS OTHERWISE SPECIFIED
1. TAPED AND REELED per CURRENT EIA SPECIFICATIONS 13" REELS, 150 PCS/REEL.
 2. COMPONENTS SHOULD BE ADEQUATELY PREHEATED BEFORE SOLDERING.
 3. REF. CARRIER TAPE SPECIFICATION #CART4732-33.
 4. TERMINATION FINISH IS 100% TIN.
 5. THIS PART HAS NO PIN POLARITY.
 6. OPERATION TEMPERATURE (INCLUDING SELF-HEATING): -40 ~ +125°C.

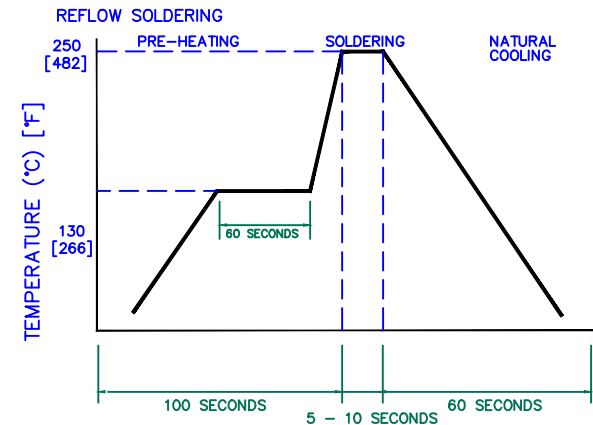


UNCONTROLLED DOCUMENT

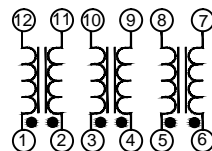
LAND PATTERNS FOR REFLOW SOLDERING



RECOMMENDED SOLDERING CONDITIONS



EQUIVALENT CIRCUIT



DIMENSIONS ARE IN mm (INCHES).			This print is the property of Laird Tech. and is loaned in confidence subject to return upon request and with the understanding that no copies shall be made without the written consent of Laird Tech. All rights to design or invention are reserved.		
D	ADD NOTE 6	08/30/12	QIU	PROJECT/PART NUMBER: CM4732V301R-10	
C	UPDATE COMPANY LOGO AND KAPTON LABEL ADD EQUIV. CIRCUIT	11/11/08	JRK	REV D	PART TYPE: ASSEMBLY
B	UPDATE COMPANY LOGO	12/12/07	JRK	SCALE: NTS	DRAWN BY: JRK
A	ORIGINAL DRAFT	06/03/04	JRK	DATE: 06/03/04	SHEET: 1 of 2
REV	DESCRIPTION	DATE	INT	CAD #	TOOL # H0470-3