



720 GFX Series Sealed and Rugged Keypads

These tough, water resistant keypads feature moving, tactile keys with a responsive 'over-centre' action. Keytop graphics can be easily customized by the use of legend tiles under 'snap-on' transparent keycaps. Once snapped into place the tamper resistant keycaps encapsulate and protect the keytop graphics.



Connection Details for 4 Key Keypad

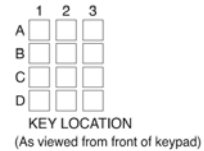
CONTACT CONNECTIONS
 ● ● ● ● ●
 5 4 3 2 1
 (As viewed from rear of keypad)



CONTACT MATRIX	
CONNEX. PIN	ROW/ COLUMN
1	common
2	D
3	C
4	B
5	A

Connection Details for 12 Key Keypad

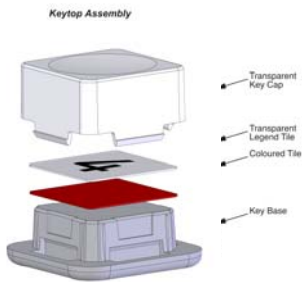
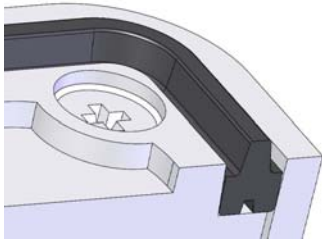
CONTACT CONNECTIONS
 ● ● ● ● ● ● ● ● ● ● ● ●
 8 7 6 5 4 3 2 1
 (As viewed from rear of keypad)



CONTACT MATRIX	
CONNEX. PIN	ROW/ COLUMN
1	A
2	B
3	1
4	2
5	3
6	-
7	D
8	C

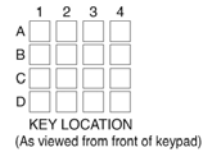
The keypad can be installed on the surface or under the panel.
 Fit the supplied silicone seal into the seal groove on the keypad. Use the groove on top for underpanel, and on back for surface fix. The wide part of the seal goes into the groove – see picture below of the seal fitted to the back of the keypad.

To customise the layout place a colour tile and a legend tile onto the key base, and clip the keycap over the top.



Connection Details for 16 Key Keypad

CONTACT CONNECTIONS
 ● ● ● ● ● ● ● ● ● ● ● ● ● ● ● ●
 8 7 6 5 4 3 2 1
 (As viewed from rear of keypad)



CONTACT MATRIX	
CONNEX. PIN	ROW/ COLUMN
1	A
2	B
3	1
4	2
5	3
6	4
7	D
8	C

White Colour Tiles and Set A Legends are included; Set A Legends comprises :-
1 2 3 4 5 6 7 8 9 0 + = x ÷ * # . ← ↑ → ↓ AC I/O ENT CE/E
 Additional Legends (Tile sets B,C,D,E,F,) & Colours (White, Grey, Red, Green, Blue, Yellow) are available

Electrical

Contact Bounce	5 ms (max)
Contact Resistance	100 ohms (max)
Insulation Resistance	50 Mohms (min)
Breakdown Voltage	500 V AC (max 60 secs.)
Switch Rating	24V DC 50mA (max)
Connection	X-Y Matrix

Part Numbers

7207-041020	720GFX SERIES 4 KEY
7207-121020	720GFXSERIES 12 KEY
7207-161020	720GFX SERIES 16 KEY

Mechanical

Operational Life	2 million cycles (min) per key
Keytop Travel	1.4mm nominal
Actuation Force	150 grams nominal
Connector	0.1"pitch, gold plated square pin
Mating Connector	Molex 2695 Series or equivalent

Accessories

4200-00	RS232 Encoder Interface Module
4500-00	450 USB Encoder Interface Module
4500-10	450i USB Encoder Interface Module with Buzzer and Illumination Control
Colour & Legend Tiles & Replacement Seals	go to www.storm-interface.com

Performance

Operational Temp	-20°C to 60°C
Impact Rating	5 J
Vibration/Shock	ETSI 300 019 5M3
Water / Dust sealed	IP65 (when fixed to suitable panel)

Dimensions

Overall sizes
Panel Cutout DXF
Surface Model STEP

See following page.
 Download .dxf and .stp files from www.storm-interface.com

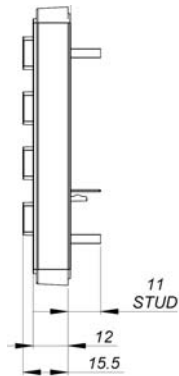


720 GFX Series Sealed and Rugged Keypads

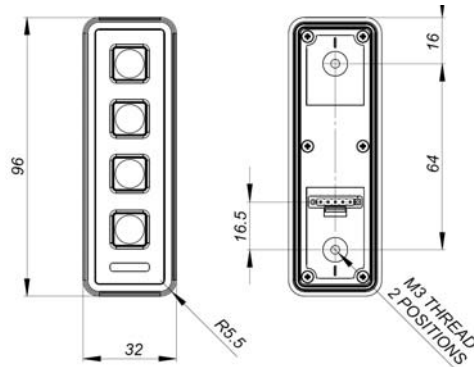
Install the keypad onto the surface of a panel as follows :-

- Fit the seal to the rear of the keypad
- Place the keypad onto the panel and fit the self locking nuts to the studs on the back
- Recommended tightening torque 50Ncm

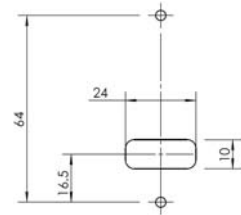
Side View : 4, 12, 16



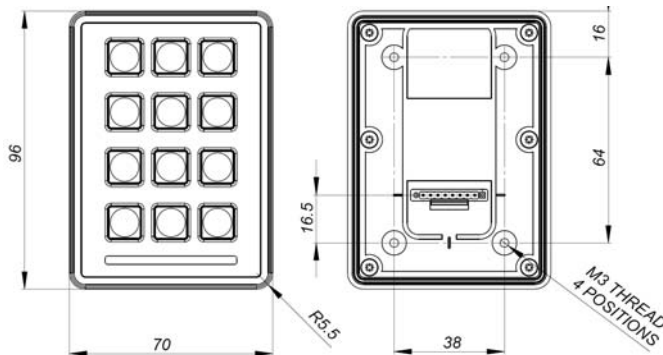
Front and Back View : 4 way



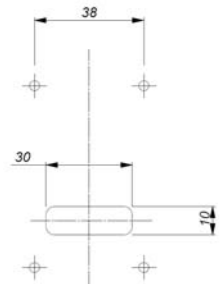
Panel Cutout : 4 way



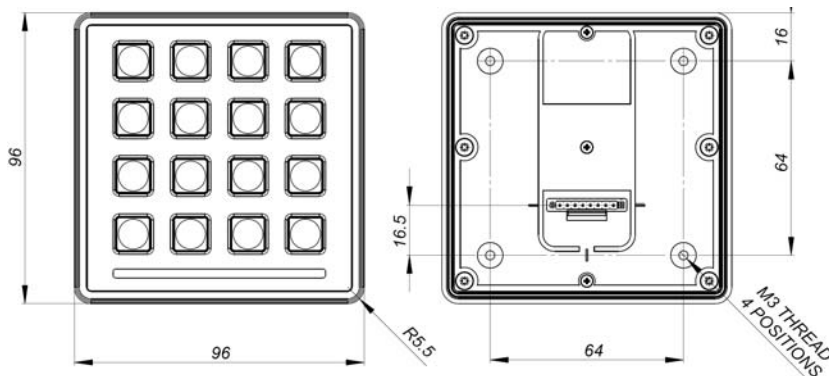
Front and Back View, 12 way



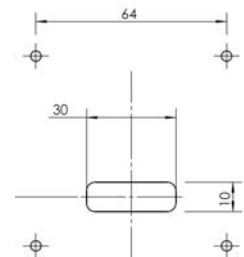
Panel Cutout : 12 way



Front and Back View, 16 way



Panel Cutout : 16 way



All panel dims in mm.
Corner Rads all M3