

Dual Low Side Driver

Features

- Gate drive supply range from 6V to 20V
- CMOS Schmitt-triggered inputs
- Matched propagation delay for both channels
- Outputs in phase with inputs

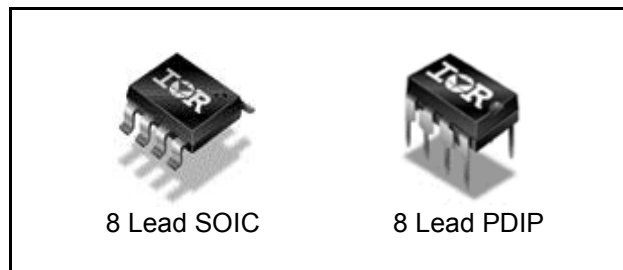
Product Summary

$I_{O+/-}$	1.5A / 1.5A
V_{OUT}	6V – 20V
Ton/off (typ.)	85 & 65 ns

Description

The IR25600(S) is a low voltage, high speed power MOSFET and IGBT driver. Proprietary latch immune CMOS technologies enable ruggedized monolithic construction. Logic inputs are compatible with standard CMOS or LSTTL outputs. The output drivers feature a high pulse current buffer stage designed for minimum driver cross-conduction. Propagation delays between two channels are matched.

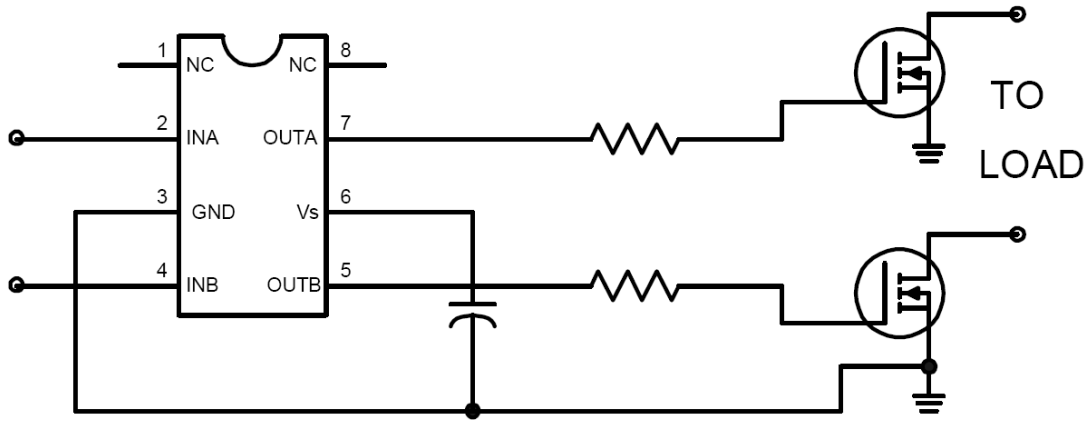
Package Options



Ordering Information

Base Part Number	Package Type	Standard Pack		Orderable Part Number
		Form	Quantity	
IR25600SPBF	SO8N	Tube	95	IR25600SPBF
IR25600SPBF	SO8N	Tape and Reel	2500	IR25600STRPBF
IR25600PBF	PDIP8	Tube	50	IR25600PBF

Typical Connection Diagram



Absolute Maximum Ratings

Absolute maximum ratings indicate sustained limits beyond which damage to the device may occur. All voltage parameters are absolute voltages referenced to GND. The thermal resistance and power dissipation ratings are measured under board mounted and still air conditions.

Symbol	Definition		Min.	Max.	Units
V_S	Fixed supply voltage		-0.3	25	V
V_O	Output voltage		-0.3	$V_S + 0.3$	
V_{IN}	Logic input voltage		-0.3	$V_S + 0.3$	
P_D	Package power dissipation @ $T_A \leq +25^\circ\text{C}$	8 lead PDIP	—	1	W
		8 lead SOIC	—	0.625	
R_{thJA}	Thermal resistance, junction to ambient	8 lead PDIP	—	125	$^\circ\text{C/W}$
		8 lead SOIC	—	200	
T_J	Junction temperature		—	150	$^\circ\text{C}$
T_S	Storage temperature		-55	150	
T_L	Lead temperature (soldering, 10 seconds)		—	300	

Recommended Operating Conditions

For proper operation the device should be used within the recommended conditions. All voltage parameters are absolute voltages references to GND.

Symbol	Definition		Min.	Max.	Units
V_S	Fixed supply voltage		6	20	V
V_O	Output voltage		0	V_S	
V_{IN}	Logic input voltage (IN & SD)		0	V_S	
T_A	Ambient temperature		-40	125	$^\circ\text{C}$

Dynamic Electrical Characteristics

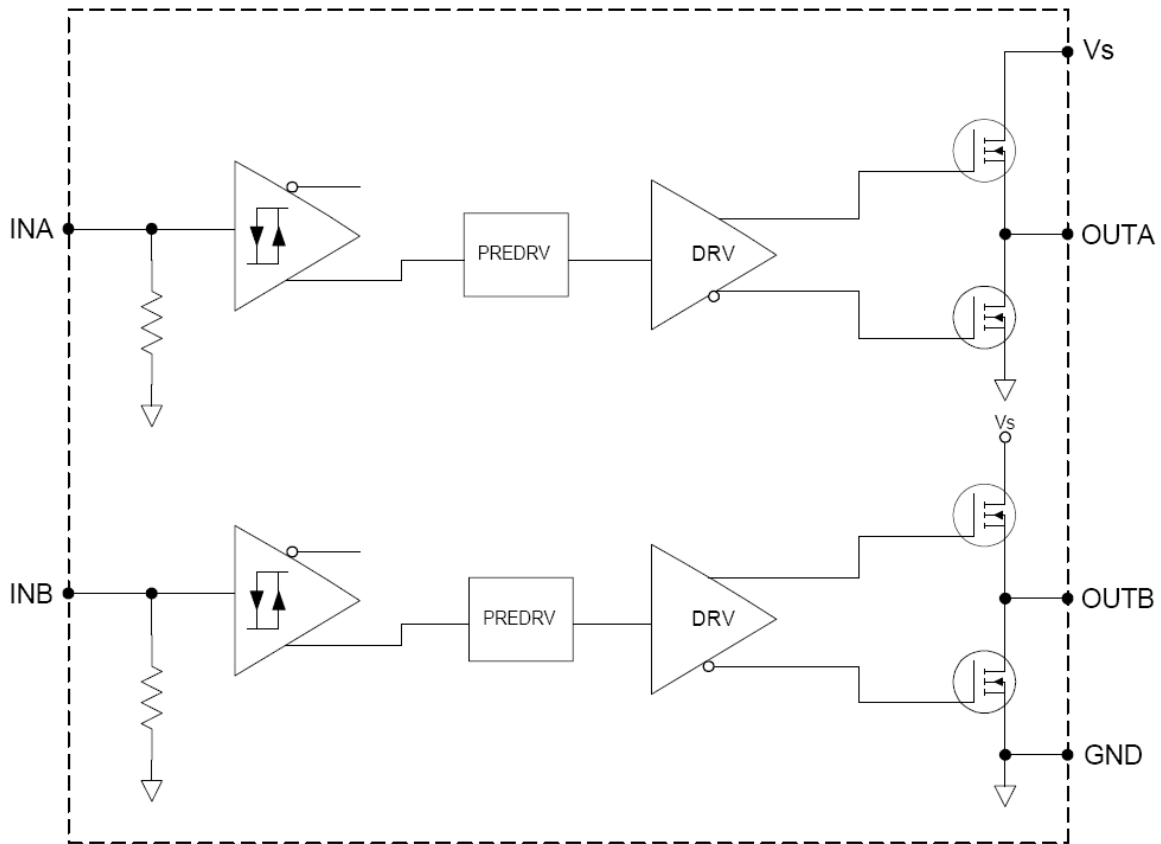
$V_{BIAS} (V_S) = 15V$, $CL = 1000 \text{ pF}$ and $T_A = 25^\circ\text{C}$ unless otherwise specified.

Symbol	Definition	Min.	Typ.	Max.	Units	Test Conditions
t_{on}	Turn-on propagation delay	—	85	160	ns	Figure 2
t_{off}	Turn-off propagation delay	—	65	150		
t_r	Turn-on rise time	—	15	35		
t_f	Turn-off fall time	—	10	25		

Static Electrical Characteristics

$V_{BIAS} (V_S) = 15V$ and $T_A = 25^\circ\text{C}$ unless otherwise specified. The V_{IN} and I_{IN} parameters are referenced to GND and are applicable to input leads INA and INB. The V_O and I_O parameters are referenced to GND and are applicable to the respective output leads: OUTA and OUTB.

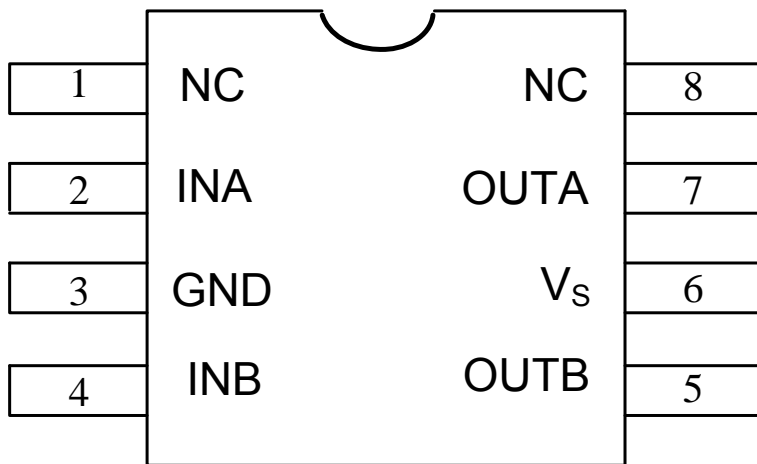
Symbol	Definition	Min.	Typ.	Max.	Units	Test Conditions
V_{IH}	Logic "1" input voltage (OUTA = HI and OUTB = HI)	2.7	—	—	V	
V_{IL}	Logic "0" input voltage (OUTA = LO and OUTB = LO)	—	—	0.8		
V_{OH}	High level output voltage, $V_{BIAS} - V_O$	—	—	1.2		$I_O = 0A$
V_{OL}	Low level output voltage, V_O	—	—	0.1		$I_O = 0A$
I_{QS}	Quiescent V_S supply current	—	100	200	μA	$V_{IN} = 0V$ or V_S
I_{IN+}	Logic "1" input bias current (OUT = HI)	—	5	15		$V_{IN} = V_S$
I_{IN-}	Logic "0" input bias current (OUT = LO)	—	-10	-30		$V_{IN} = 0V$
I_{O+}	Output high short circuit pulsed current	1.5	2.3	—	A	$V_O = 0V$, $V_{IN} = V_S$ $PW \leq 10 \mu s$
I_{O-}	Output low short circuit pulsed current	1.5	3.3	—		$V_O = 15V$, $V_{IN} = 0V$ $PW \leq 10 \mu s$

Functional Block Diagram


Lead Definitions

Symbol	Description
INA	Logic input gate driver output (OUTA), in phase
INB	Logic input gate driver output (OUTB), in phase
OUTA	Gate drive output A
OUTB	Gate drive output B
V _S	Supply Voltage
GND	Ground

Lead Assignments



Application Information and Additional Information

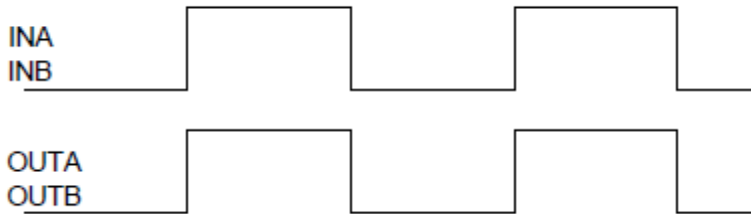


Figure 1. Input/Output Timing Diagram

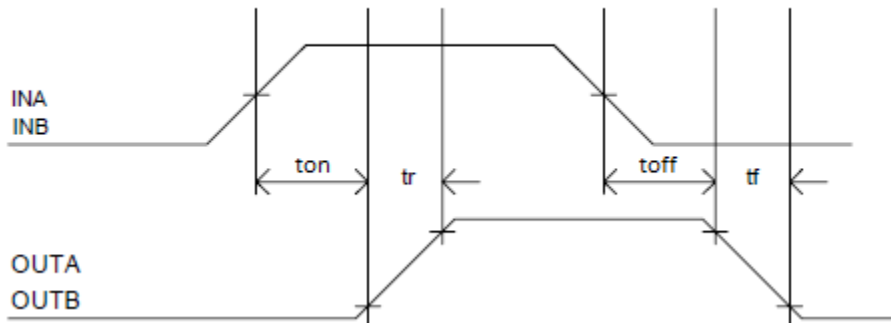
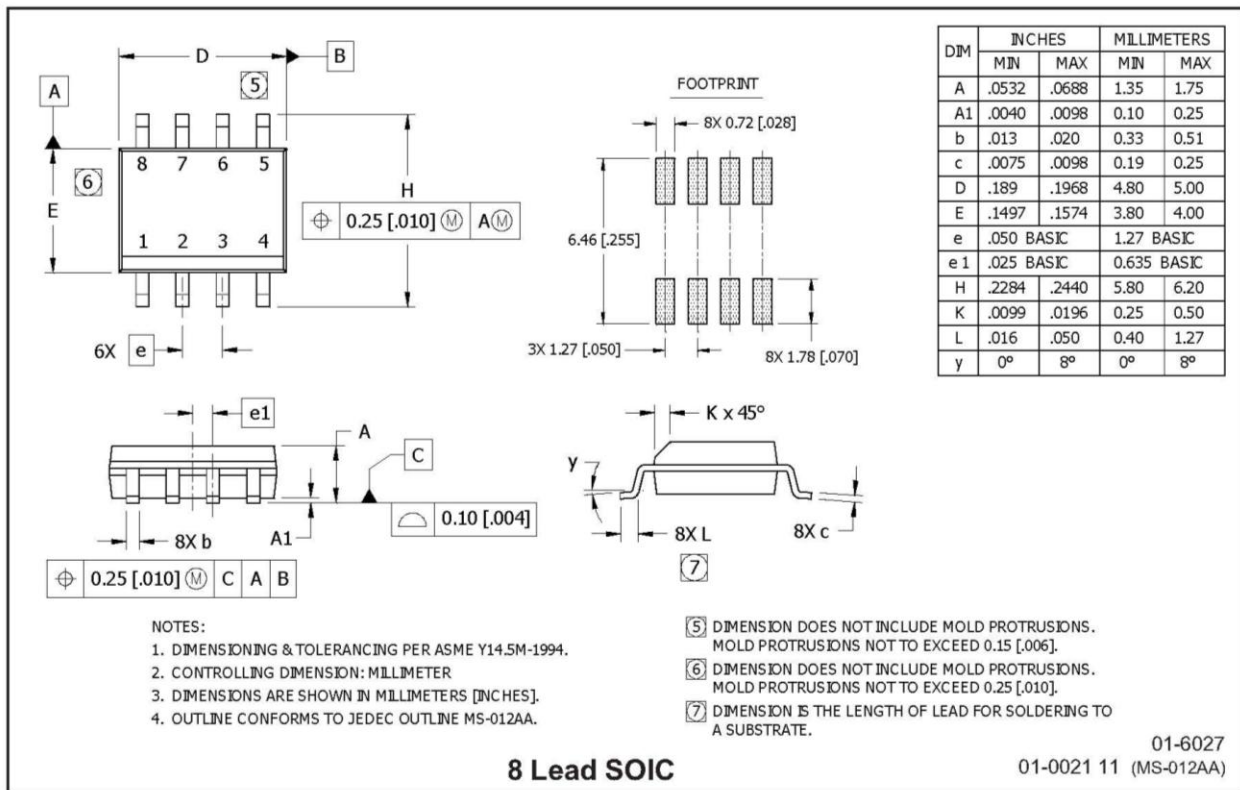
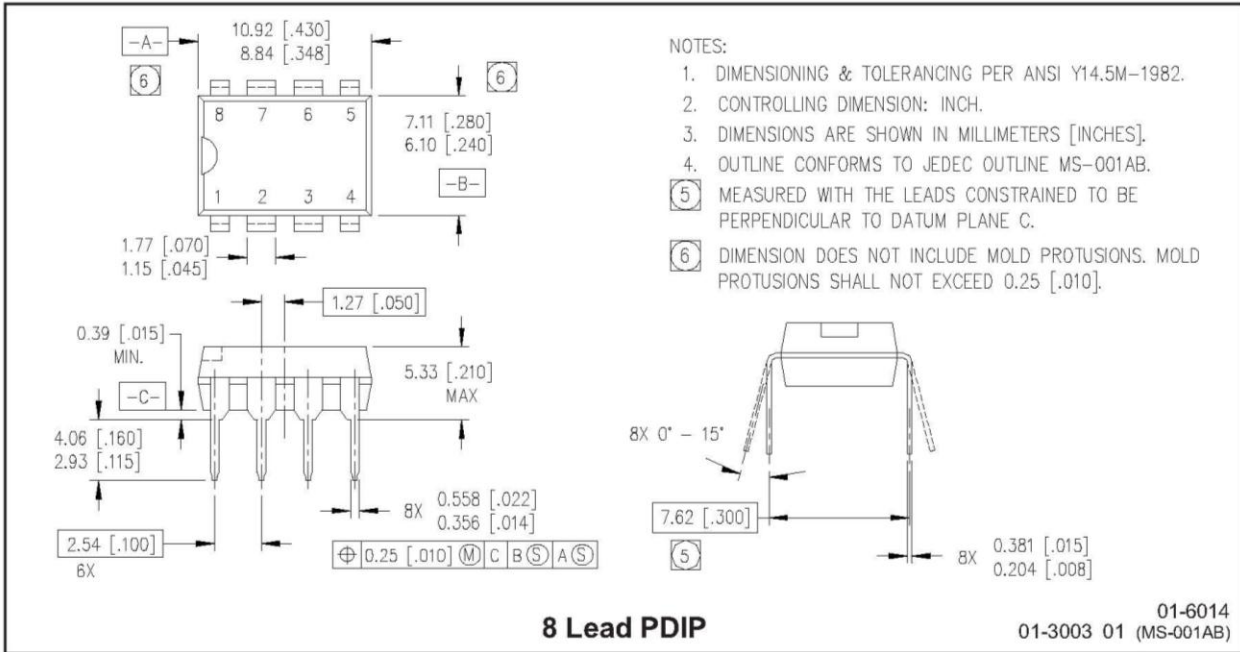
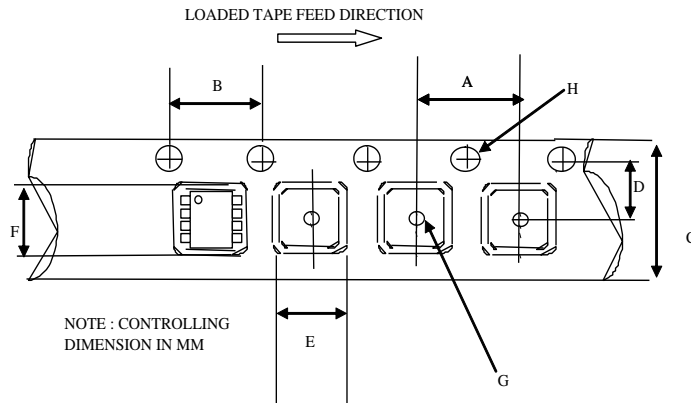


Figure 2. Switching Time Waveform Definitions

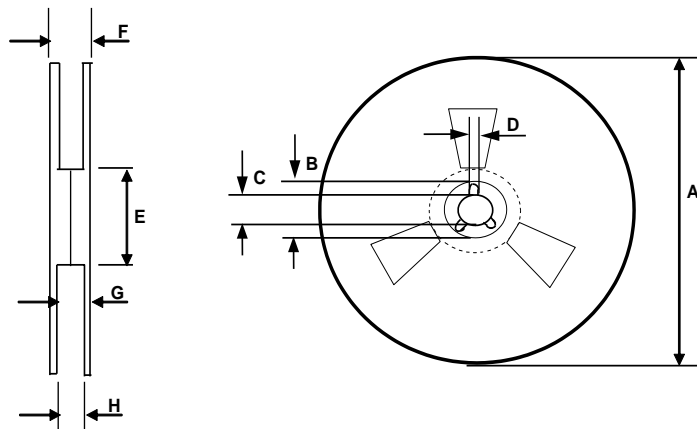
Package Details


Tape and Reel Details, SO8N



CARRIER TAPE DIMENSION FOR 8SOICN

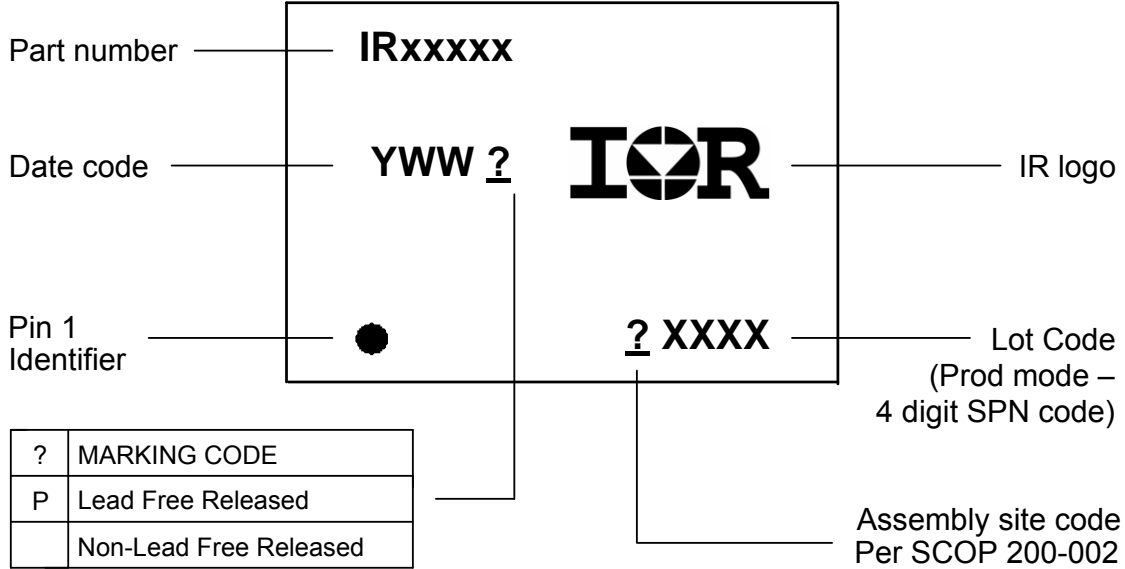
Code	Metric		Imperial	
	Min	Max	Min	Max
A	7.90	8.10	0.311	0.318
B	3.90	4.10	0.153	0.161
C	11.70	12.30	0.46	0.484
D	5.45	5.55	0.214	0.218
E	6.30	6.50	0.248	0.255
F	5.10	5.30	0.200	0.208
G	1.50	n/a	0.059	n/a
H	1.50	1.60	0.059	0.062



REEL DIMENSIONS FOR 8SOICN

Code	Metric		Imperial	
	Min	Max	Min	Max
A	329.60	330.25	12.976	13.001
B	20.95	21.45	0.824	0.844
C	12.80	13.20	0.503	0.519
D	1.95	2.45	0.767	0.096
E	98.00	102.00	3.858	4.015
F	n/a	18.40	n/a	0.724
G	14.50	17.10	0.570	0.673
H	12.40	14.40	0.488	0.566

Part Marking Information



Qualification Information[†]

Qualification Level	Industrial ^{††} (per JEDEC JESD 47)	
	Comments: This family of ICs has passed JEDEC's Industrial qualification. IR's Consumer qualification level is granted by extension of the higher Industrial level.	
Moisture Sensitivity Level	SOIC8N	MSL2 ^{†††} (per IPC/JEDEC J-STD 020)
	PDIP8	Not applicable (non-surface mount package style)
RoHS Compliant	Yes	

† Qualification standards can be found at International Rectifier's web site <http://www.irf.com/>

†† Higher qualification ratings may be available should the user have such requirements. Please contact your International Rectifier sales representative for further information.

††† Higher MSL ratings may be available for the specific package types listed here. Please contact your International Rectifier sales representative for further information.

The information provided in this document is believed to be accurate and reliable. However, International Rectifier assumes no responsibility for the consequences of the use of this information. International Rectifier assumes no responsibility for any infringement of patents or of other rights of third parties which may result from the use of this information. No license is granted by implication or otherwise under any patent or patent rights of International Rectifier. The specifications mentioned in this document are subject to change without notice. This document supersedes and replaces all information previously supplied.

For technical support, please contact IR's Technical Assistance Center
<http://www.irf.com/technical-info/>

WORLD HEADQUARTERS:
 233 Kansas St., El Segundo, California 90245
 Tel: (310) 252-7105