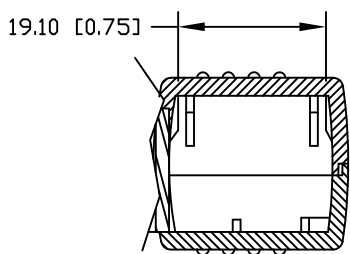
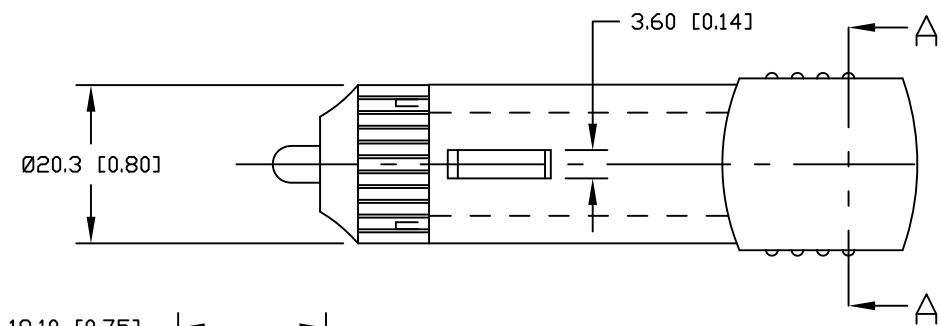
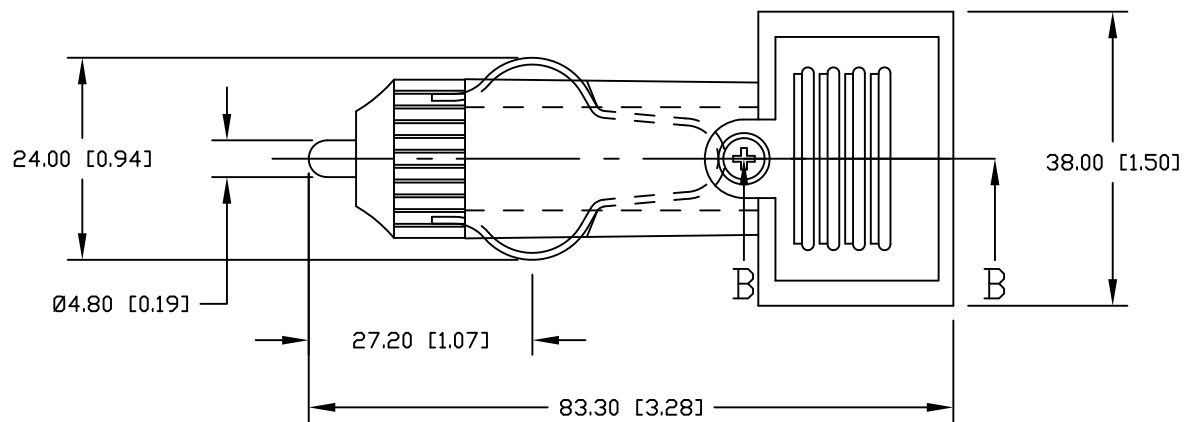
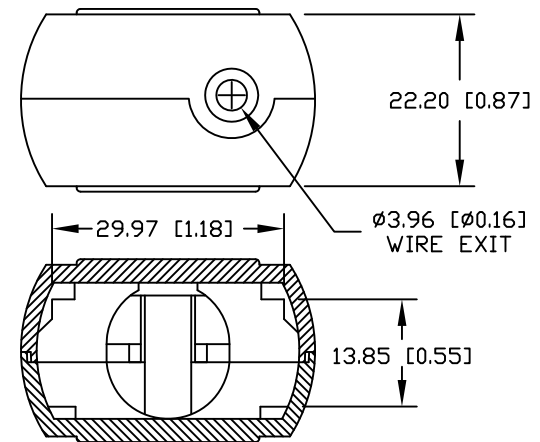


Date	SYM	REVISION RECORD	AUTH	DR.	CK.
11/07/14	A	UPDATED TO ROHS 2 COMPLIANT	T.B.	B.S.	




SECTION B-B



SECTION A-A

NOTES:

- INPUT VOLTAGE: 12V DC
- MATERIAL:
- HOUSING: BLACK ABS
- CAP: BAKELITE
- FUSE: NONE SUPPLIED, USE Ø6.35 X 30mm
- LARGE EMPTY AREA TO ADD YOUR ELECTRONICS, 29.97mmX19.10mmX13.85mm
- ROHS 2 COMPLIANT

Tolerance (Inches)	 <b>Memory Protection Devices, Inc</b> 200 Broad Hollow Road, Farmingdale, New York 11735		
Decimal		Scale	Drawn By B.S.
±.5 (.020)			Approved By T.B.
Fractional	Title		
± .8 (.030)	CIGARETTE PLUG WITHOUT TRANSFORMER		
Angular	Date	Drawing Number	
± 3°	11/07/14	AP-104-NT	