



I-7188E1/I-7188E1D

Programmable Ethernet to 1x RS-232 converter

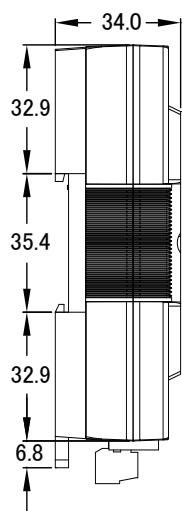
Introduction

The I-7188EN series is a family of Programmable Device Servers, also known as "Serial-to-Ethernet gateway", that are designed for linking RS-232/422/485 devices to an Ethernet network. The user-friendly VxComm Driver/Utility allows users to easily turn the built-in COM ports of the I-7188EN series into standard COM ports on a computer. By virtue of its protocol independence, a small-core OS and high flexibility, the I-7188EN series is able to meet the demands of every network-enabled application.

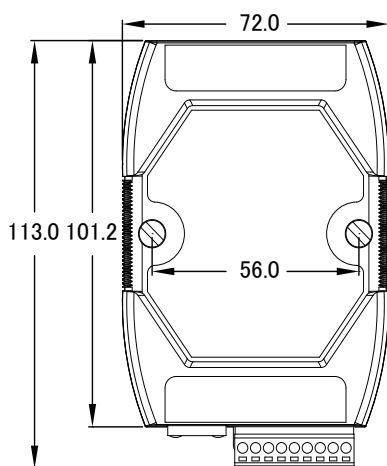
The I-7188EN series includes a powerful and reliable Xserver programming structure that allows you to design your robust Ethernet applications in one day. The built-in high-performance MiniOS7 boots the I-7188EN up in just one second and gives you the fastest responses.

The I-7188E1(D) is equipped with 1 RS-232 port. The removable on-board terminal block connector is designed for easy and robust wiring in industrial situations.

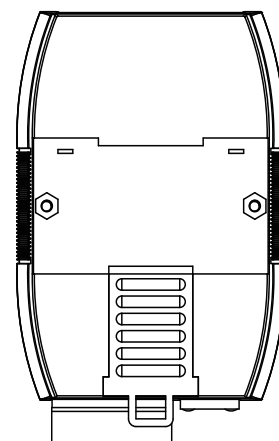
Dimensions (Units: mm)



Left Side View



Front View



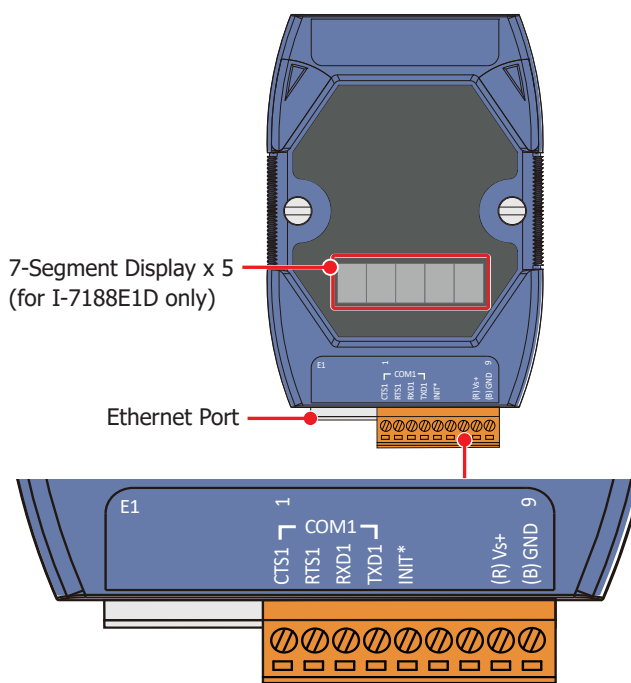
Rear View

Features

- Incorporates any RS-232 serial device in Ethernet
- Data transmission via Virtual COM or raw TCP connection
- VxComm Utility supports 32/64-bit Windows 7 SP1/10/2012/2016
- Built-in High-Performance MiniOS7 from ICP DAS
- Watchdog Timer suitable for use in harsh environments
- Palm-Sized with multiple Serial Ports
- Power Reverse Polarity Protection



Appearances



Specifications

| Models | I-7188E1 | I-7188E1D |
|--------------------------------|--|-----------|
| CPU Module | | |
| CPU | 80188, 40 MHz or compatible | |
| SRAM | 384 KB | |
| Flash | 512 KB | |
| EEPROM | 2 KB | |
| Watchdog Timer | 0.8 second | |
| Communication Interface | | |
| COM1 | RS-232 (TXD, RXD, RTS, CTS, GND) | |
| Ethernet Port | 10BASE-T NE2000 compatible Ethernet Controller | |
| COM Port Format | | |
| Data Bit | 7, 8 | |
| Parity | Even, Odd, None | |
| Stop Bit | 1 | |
| Baud Rate | 115200 bps Max. | |
| LED Indicator | | |
| 7-Segment Display | - | Yes |
| System LED Indicator | Yes | |
| Mechanical | | |
| Dimensions (W x L x H) | 113 mm x 72 mm x 34 mm | |
| Operating Environment | | |
| Operating Temperature | -25 °C ~ +75 °C | |
| Storage Temperature | -40 °C ~ +80 °C | |
| Humidity | 5 ~ 95% RH, non-condensing | |
| Power | | |
| Protection | Power reverse polarity protection | |
| Power requirement | 10 ~ 30 VDC | |
| Power consumption | 2 W | 3 W |

Ordering Information

| | |
|--------------|---|
| I-7188E1 CR | Programmable Ethernet to 1x RS-232 port converter (RoHS) |
| I-7188E1D CR | Programmable Ethernet to 1x RS-232 port converter with LED display (RoHS) |

Accessories

| | |
|--------------|---|
| MDR-20-24 CR | Power Supply, 85~264 VAC to 24 VDC/1 A, 24 W, DIN-rail mounting (RoHS) |
| GPSU06U-6 CR | Power Supply, 110~240 VAC to 24 VDC/0.25 A, 6 W, two pins USA plug (RoHS) |