

CT200 SERIES

Current Sensor



Description

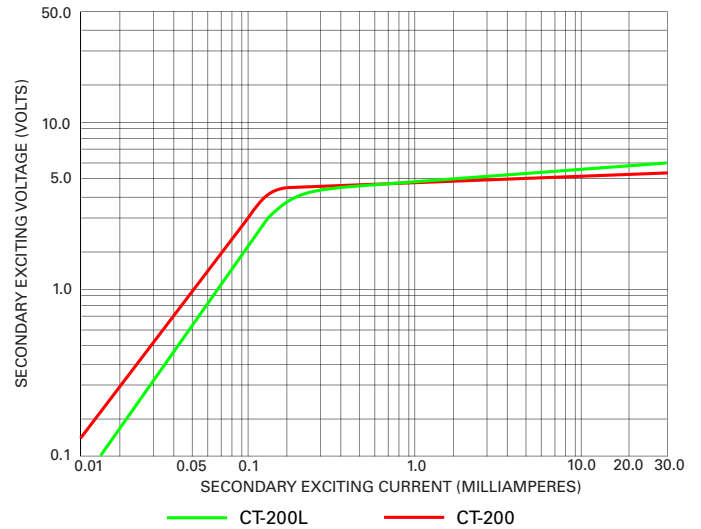
The CT200 series is a current transformer used with Littelfuse relays to detect earth-leakage or phase current.

Specifications

Turns Ratio	200:5
Current Rating	200:5 A
Accuracy	2 VA 10P10 (± 3% at rated current, ± 10% at 10x rated current)
Frequency	50/60 Hz
Insulation Level	600 V
Operating Temperature	-55 to 60°C (-67 to 140°F)
Application	FPU-32, FPS, MPU-32, MPS, PGR-8800, SE-105, SE-107, SE-325, SE-330, SE-701
Certification	CSA, UL
Compliance	RoHS

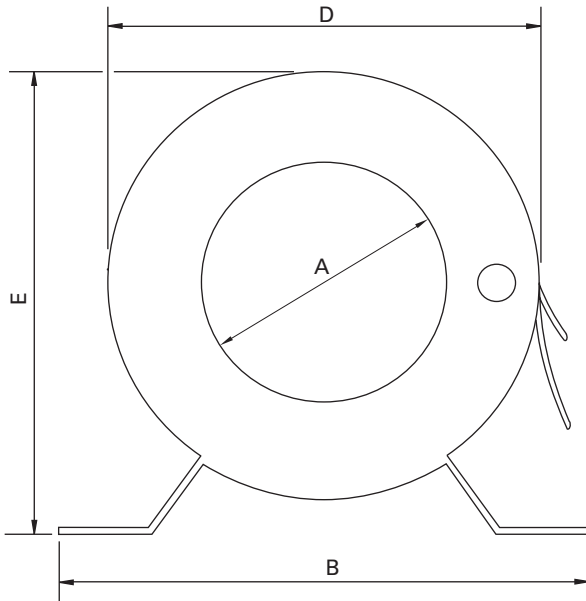
Ordering Information

ORDERING NUMBER	WINDOW SIZE, 1D	WEIGHT
CT200	56 mm (2.2")	0.5 kg (1.2 lb)
CT200L	89 mm (3.5")	0.8 kg (1.8 lb)

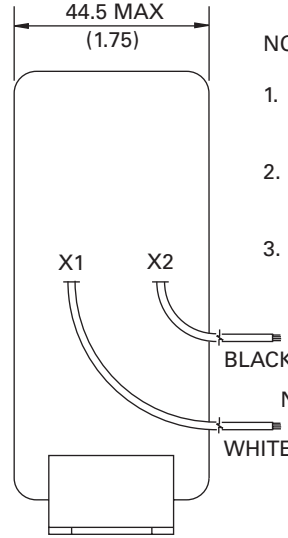


CT200 SERIES

Dimensions and Mounting Diagram



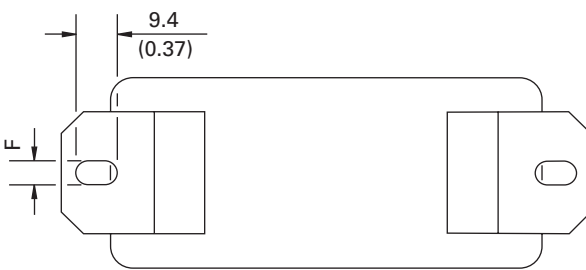
FRONT



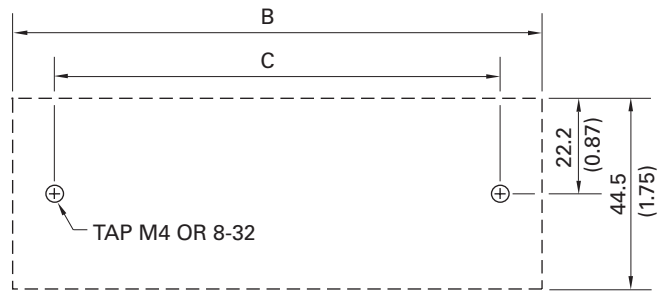
SIDE

NOTES:

1. DIMENSIONS IN MILLIMETRES (INCHES).
2. MOUNTING SCREWS: M4 OR 8-32.
3. SECONDARY LEADS 14 AWG (2.08 MM²), 609.6 MM (24.00")



BOTTOM



MOUNTING DETAIL

PART NUMBER	DIMENSIONS					
	A	B	C	D	E	F
CT200	55.9 (2.20)	120.7 (4.75)	101.6 (4.00)	98.3 (3.87)	108.0 (4.25)	5.6 (0.22)
CT200L	88.9 (3.50)	154.0 (6.06)	133.4 (5.25)	139.7 (5.50)	144.5 (5.69)	7.1 (0.28)