

D2E133 Series Centrifugal Blower

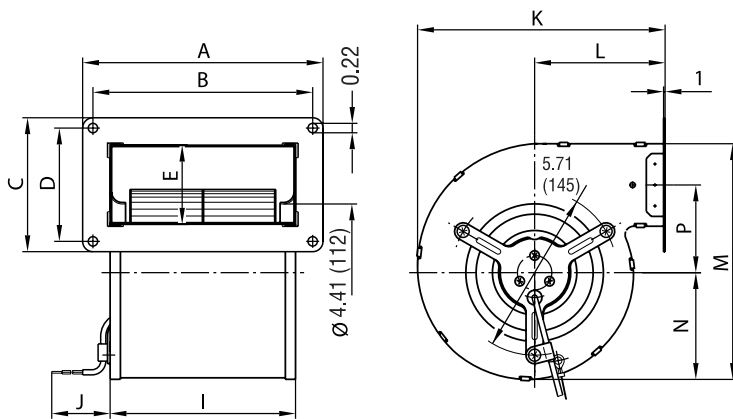
Ø 133mm



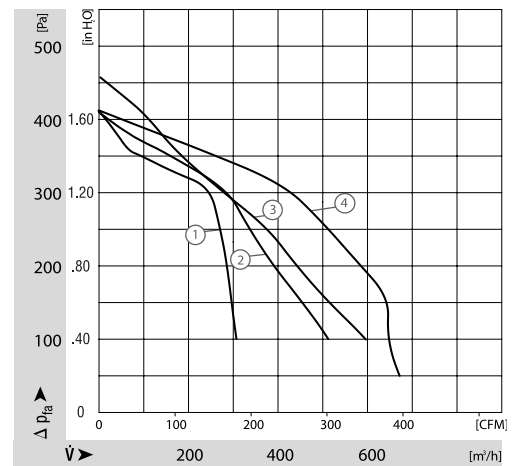
- AC dual inlet, forward curved centrifugal blower. Via a bracket, the integrated external-rotor motor is mounted on one side of the housing.
- Direction of rotation is CW as seen from inlet opposite the cable exit. Insulation class "B".
- Housing and impeller made of galvanised sheet-steel. Forward curved impellers are directly press-fitted onto the rotor of the external-rotor motor.
- Maintenance-free ball bearings.
- UL, CSA, VDE approvals on most models, please contact application engineering.

| Part Number | Curve | CFM @ 0 | VAC | Hertz | Power (W) | dBA | Max Amb. Temp. C | Bearing Type | Features | Capacitor (µF) | Wgt. (lbs) |
|----------------|-------|---------|-----|-------|-----------|-----|------------------|--------------|----------|----------------|------------|
| D2E133-BI40-50 | 1 | 180 | 230 | 60* | 110 | 49 | 50 | Ball | Leads | 2 | 6.50 |
| D2E133-AM47-A7 | 2 | 300 | 230 | 60* | 200 | 56 | 40 | Ball | Leads | 3 | 7.71 |
| D2E133-DM47-01 | 3 | 353 | 230 | 60* | 195 | 55 | 40 | Ball | Leads | 3 | 9.70 |
| D2E133-DM47-23 | 3 | 353 | 230 | 60* | 195 | 55 | 40 | Ball | Leads | 3 | 9.70 |
| D2E133-DM47-A3 | 3 | 353 | 230 | 60* | 195 | 55 | 40 | Ball | Leads | 3 | 9.70 |
| D2E133-DM67-78 | 4 | 420 | 115 | 60 | 205 | 55 | 40 | Ball | Leads | 12 | 9.00 |

* 50 Hz data available.



| Type | A | B | C | D | E | I | J | K | L | M | N | P |
|------------|---------------|---------------|---------------|---------------|---------------|---------------|---------------|-----------------|--------------|---------------|--------------|----------------|
| D2E 133-BI | 194 (7.64) | 178 (7.01) | 108 (4.25) | 92 (3.62) | 69 (2.72) | 155 (6.10) | 300 (11.8) | 171.5 (6.75) | 88 (3.46) | 180 (7.09) | 79 (3.11) | 66.0 (2.60) |
| D2E 133-AM | 254 (10.0) | 238 (9.37) | 108 (4.25) | 92 (3.62) | 69 (2.72) | 215 (8.46) | 300 (11.8) | 171.5 (6.75) | 88 (3.46) | 180 (7.09) | 79 (3.11) | 66.0 (2.60) |
| D2E 133-DM | 270 (10.6) | 254 (10.0) | 142 (5.59) | 126 (4.96) | 102 (4.02) | 232 (9.13) | 300 (11.8) | 204.0 (8.03) | 97 (3.82) | 213 (8.39) | 98 (3.86) | 67.5 (2.66) |



Mouser Electronics

Authorized Distributor

Click to View Pricing, Inventory, Delivery & Lifecycle Information:

[ebm-papst:](#)

[D2E133-AM47-A3](#) [D2E133-BI40-50](#) [D2E133-DM47-01](#) [D2E133-DM47-23](#) [D2E133-AM47-A7](#)