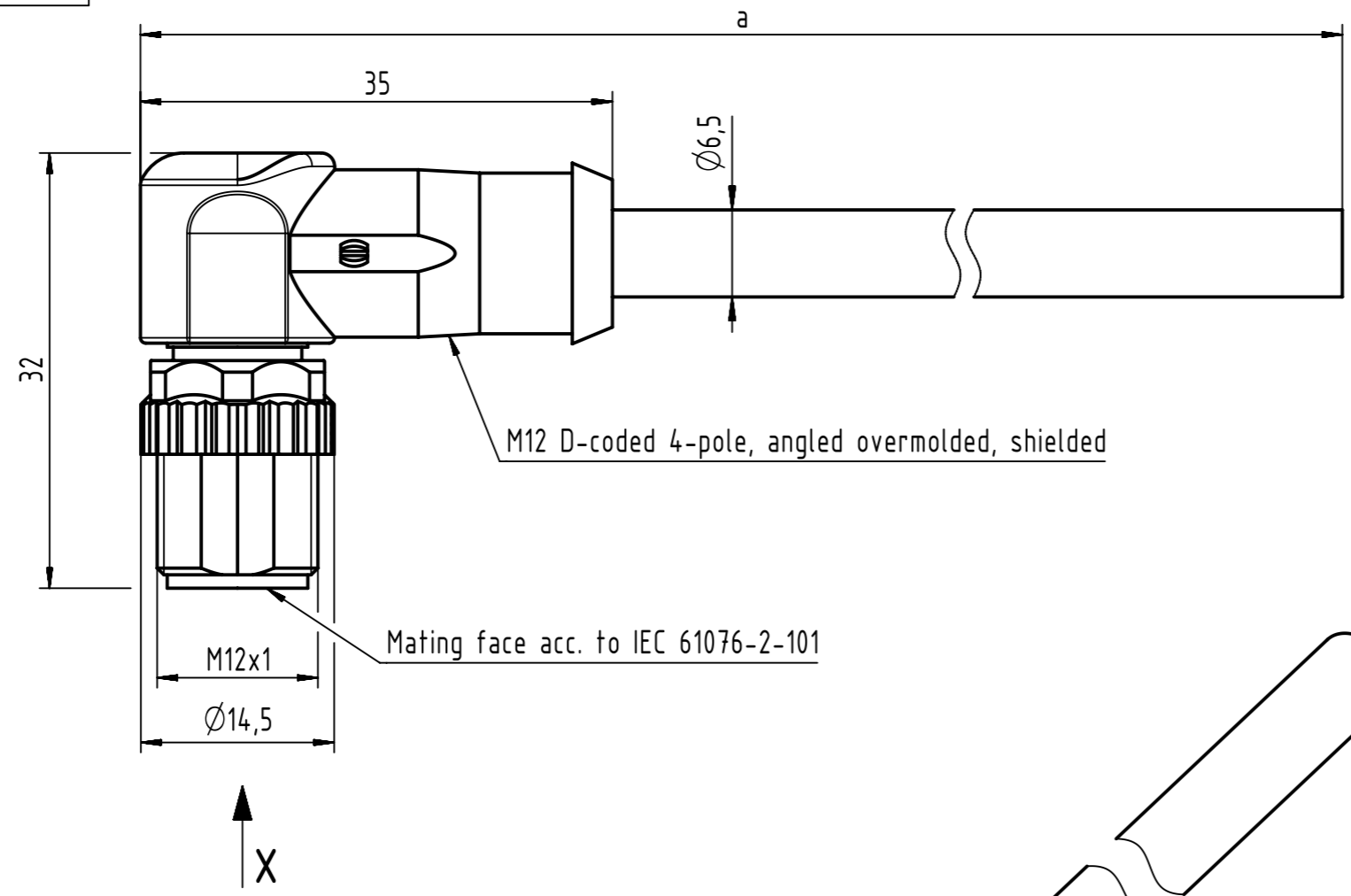


Connector Location A

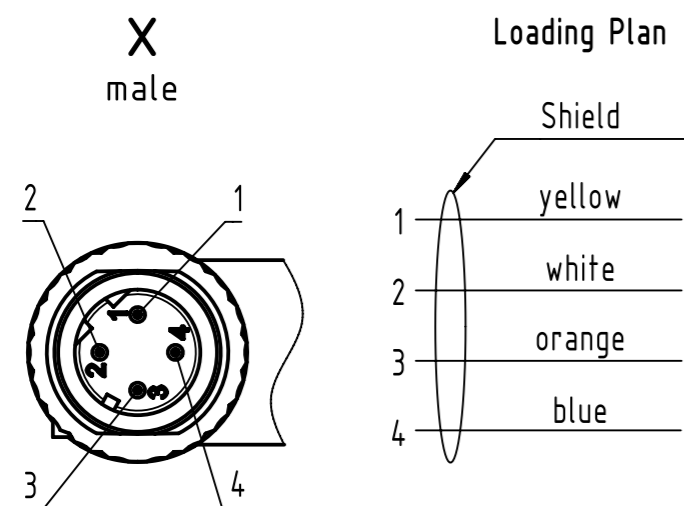
Connector Location B



| | | |
|-----------------------|---------|---------|
| length in "1m" step | 100 | XXX=000 |
| | 99 | XXX=990 |
| | . | . |
| | 12 | XXX=120 |
| | 11 | XXX=110 |
| length in "0.1m" step | 10 | XXX=100 |
| | 9.9 | XXX=099 |
| | 9.8 | XXX=098 |
| | . | . |
| | 0.4 | XXX=004 |
| | 0.3 | XXX=003 |
| | 0.2 | XXX=002 |
| 0.1 | XXX=001 | |
| Step | a [m] | XXX |

| | |
|------------|-----------|
| 4.0 to 100 | ±1% |
| 0.1 to 3.9 | +0.04 |
| a [m] | Tolerance |

| | |
|----------------------|-----------------|
| Part no. | 213494004XXXXXX |
| Type of cable | XX |
| PVC green, 4xAWG22/7 | XX=05 |
| PUR green, 4xAWG22/7 | XX=77 |



- Protection level: IP65/67
 - Temperature range: -30°C ... +70°C

| | | | | |
|---|--|---|---|--|
| All rights reserved Department HCS - RO HARTING Customised Solutions D-32339 Espelkamp | | All Dimensions in mm Tech. Character. Created by STOCHECIC Stocheci Inspected by COSTEA Costea Standardisation MUNTEANV Muntean Date 2019-03-27 State Final Release | Free size tol. According to production drawing Title M12 Cable Assembly D-cod an/- m/- Type TB Number 213494004XXXXXX | Doc-Key / ECM-Nr. 100588495/UGD/000/F 500000149491 Rev. F Page 1/1 |
|---|--|---|---|--|