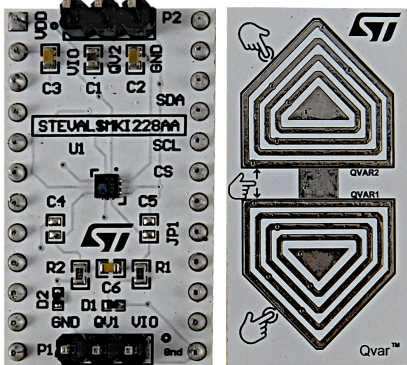


Pressure sensor kit with Qvar functionality based on ILPS22QS



Features

- User friendly ILPS22QS board
- Complete ILPS22QS pin-out for a standard DIL24 socket
- Fully compatible with the STEVAL-MKI109V3 motherboard
- RoHS compliant

Description

The STEVAL-MKI228KA evaluation kit consists of the STEVAL-MKI228A and the STEVAL-MKE001A.

The STEVAL-MKI228A mounts the ILPS22QS pressure sensor with the Qvar electrostatic sensor and swipe electrode to make it compatible with the STEVAL-MKI109V3. The ILPS22QS is soldered exactly at the board center.

The STEVAL-MKE001AA can be plugged into a standard DIL24 socket.

The kit provides the complete ILPS22QS pin-out and comes ready-to-use with the required decoupling capacitors on the VDD power supply line.

This adapter is supported by the STEVAL-MKI109V3 motherboard, which includes a high-performance 32-bit microcontroller functioning as a bridge between the sensor and a PC, on which it is possible to use a downloadable graphical user interface (Unico-GUI), or dedicated software routines for customized applications.

Product summary	
Pressure sensor kit with QVAR functionality based on ILPS22QS	STEVAL-MKI228KA
Dual full-scale, 1260 hPa and 4060 hPa, absolute digital output barometer with embedded Qvar electrostatic sensor	ILPS22QSTR
MEMS adapter motherboard based on the STM32F401VE	STEVAL-MKI109V3
Motion MEMS and microphone MEMS expansion board for STM32 Nucleo	X-NUCLEO-IKS02A1
Applications	Gas Metering

1 Schematic diagrams

Figure 1. STEVAL-MKI228KA circuit schematic (1 of 2)

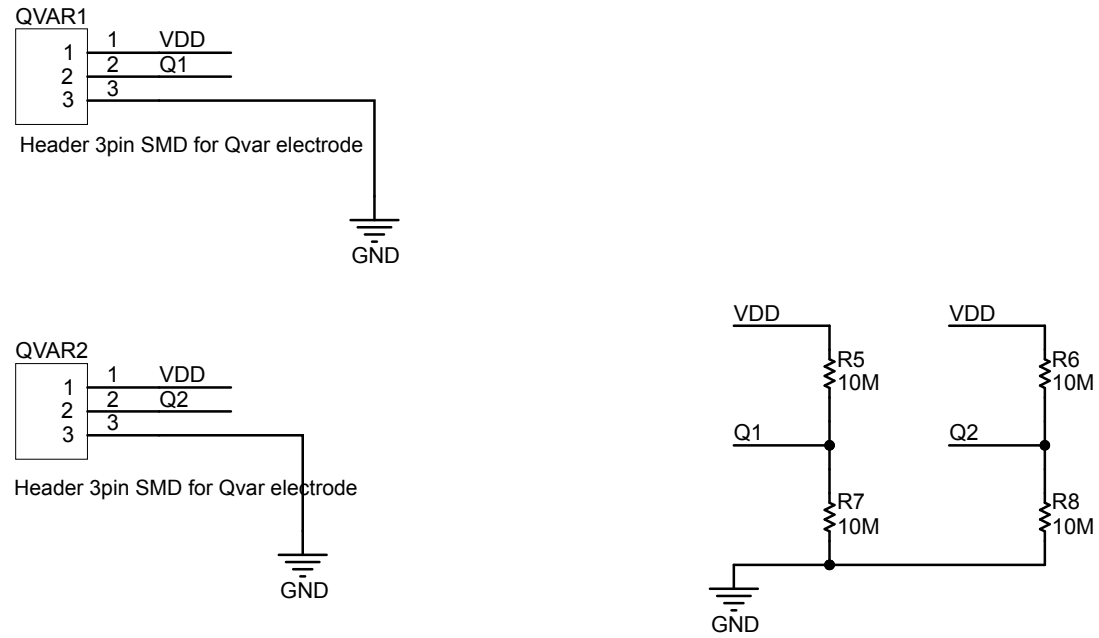
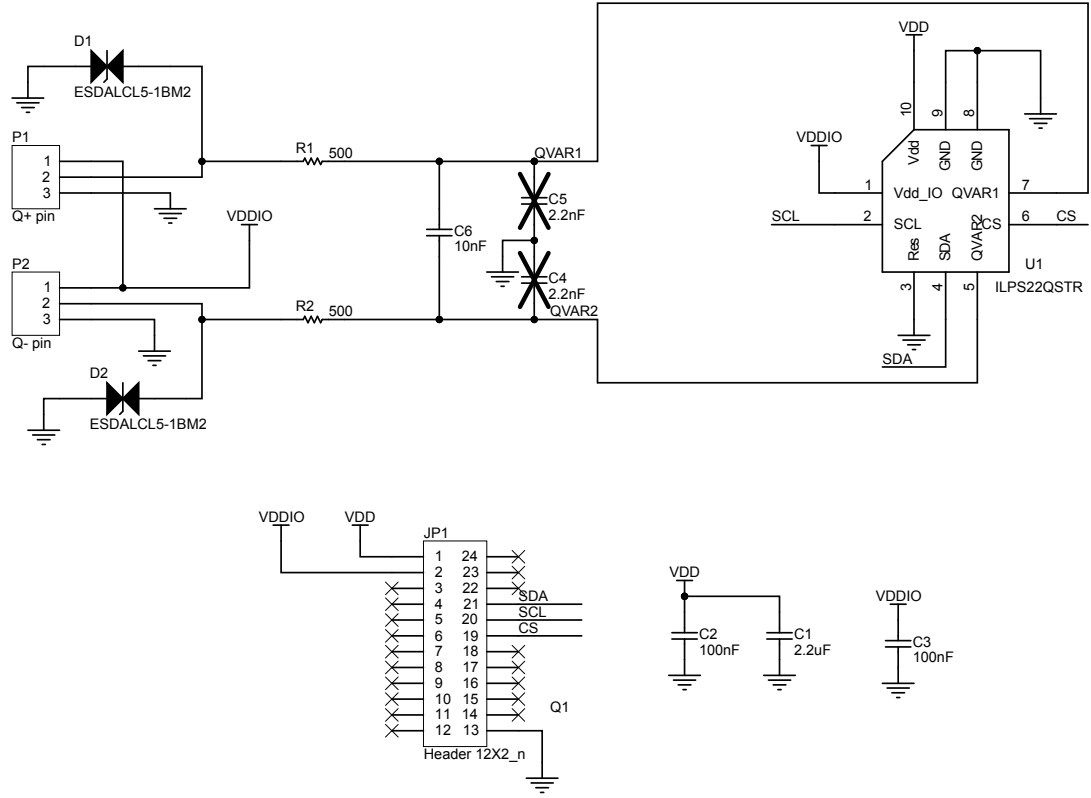


Figure 2. STEVAL-MKI228KA circuit schematic (2 of 2)



2 Kit versions

Table 1. STEVAL-MKI228KA kit versions

Finished good	Schematic diagrams	Bill of materials
STEVAL\$MKI228KAA ⁽¹⁾	STEVAL\$MKI228KAA schematic diagrams	STEVAL\$MKI228KAA bill of materials

1. This code identifies the STEVAL-MKI228KA evaluation kit first version. The kit consists of a STEVAL-MKI228A whose version is identified by the code STEVAL\$MKI228AA and a STEVAL-MKE001AA whose version is identified by the code STEVAL\$MKE001AAA

Revision history

Table 2. Document revision history

Date	Revision	Changes
30-Mar-2022	1	Initial release.

IMPORTANT NOTICE – READ CAREFULLY

STMicroelectronics NV and its subsidiaries (“ST”) reserve the right to make changes, corrections, enhancements, modifications, and improvements to ST products and/or to this document at any time without notice. Purchasers should obtain the latest relevant information on ST products before placing orders. ST products are sold pursuant to ST’s terms and conditions of sale in place at the time of order acknowledgment.

Purchasers are solely responsible for the choice, selection, and use of ST products and ST assumes no liability for application assistance or the design of purchasers’ products.

No license, express or implied, to any intellectual property right is granted by ST herein.

Resale of ST products with provisions different from the information set forth herein shall void any warranty granted by ST for such product.

ST and the ST logo are trademarks of ST. For additional information about ST trademarks, refer to www.st.com/trademarks. All other product or service names are the property of their respective owners.

Information in this document supersedes and replaces information previously supplied in any prior versions of this document.

© 2022 STMicroelectronics – All rights reserved