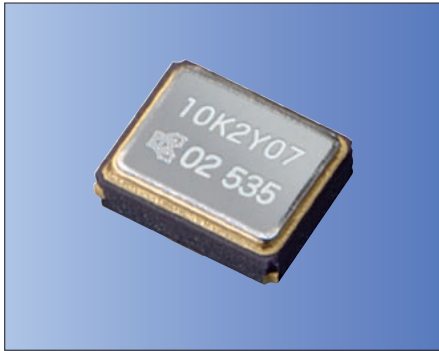


# Temperature Compensated Crystal Oscillators (TCXO) Surface Mount Type TCXO (LSI Type) KT2520 Series for GPS



2.5×2.0mm



Ph Free

RoHS Compliant

## Features

- Ultra-miniature SMD type (2.5×2.0×0.8mm)
- Frequency stability :  $\pm 0.5 \times 10^{-6} / -30$  to  $+85^\circ\text{C}$
- 1.7 to 3.5V drive available
- Reflow compatible

## Applications

- GPS Units

## How to Order

KT2520F 16369 A C W 18 T xx  
① ② ③ ④ ⑤ ⑥ ⑦ ⑧

① Series

② Output Frequency

③ Frequency Tolerance

A  $\pm 0.5 \times 10^{-6}$

④ Lower Operating Temp.

C  $-30^\circ\text{C}$

E  $-20^\circ\text{C}$

G  $-10^\circ\text{C}$

⑤ Upper Operating Temp.

W  $+85^\circ\text{C}$

V  $+80^\circ\text{C}$

U  $+75^\circ\text{C}$

⑥ Supply Voltage

18 1.8V 28 2.8V

⑦ Voltage Control Range

TCXO T

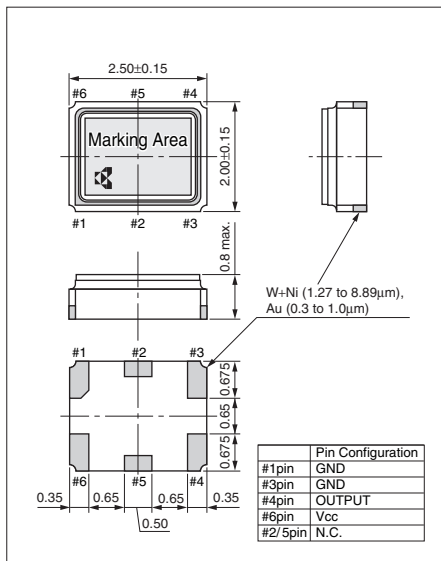
⑧ Option Code

## Specifications

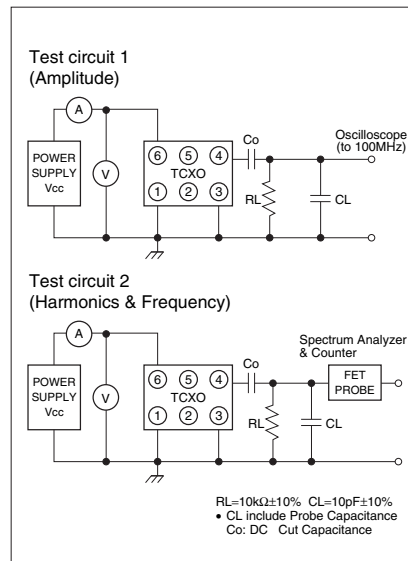
Item	Symbol	Conditions	Min.	Max.	Units
Output Frequency Range	$f_o$	Standard Frequency: 16.368, 16.369, 19.2, 23.104, 24.5535, 26, 27.456	—	—	MHz
Frequency Tolerance	$f_{tol}$	vs Temperature	-0.5	+0.5	$\times 10^{-6}$
		vs Load	-0.2	+0.2	
		vs Voltage	-0.3	+0.3	
Frequency Aging	$f_{age}$	Per Year	-1	+1	$\times 10^{-6}$
Storage Temperature Range	$T_{stg}$		-40	+85	$^\circ\text{C}$
Operating Temperature Range	$T_{use}$		-30	+85	$^\circ\text{C}$
Supply Voltage	$V_{CC}$		1.7	3.5	V
Output Level	$V_{pp}$	10k ohm // 10pF	0.8	—	Vp-p
Current Consumption	$I_{CC}$		—	2	mA
Harmonics	—		—	-5	dBc

## Dimensions

(Unit: mm)



## Test Circuit



## Recommended Land Pattern

(Unit: mm)

