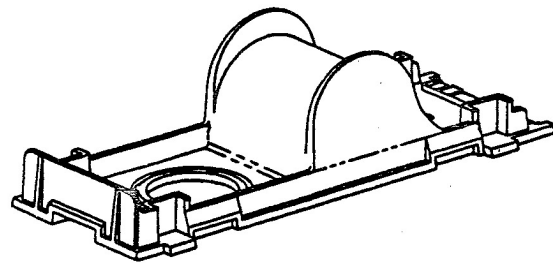
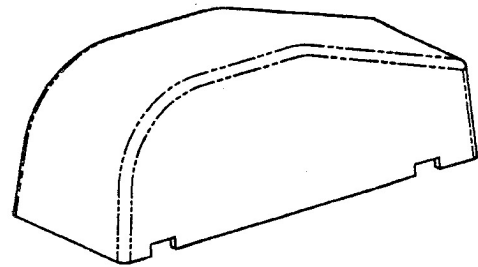
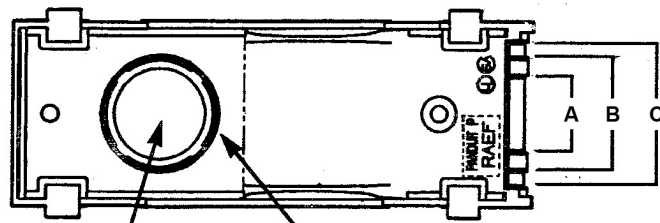


G

Part Number: RAEFX

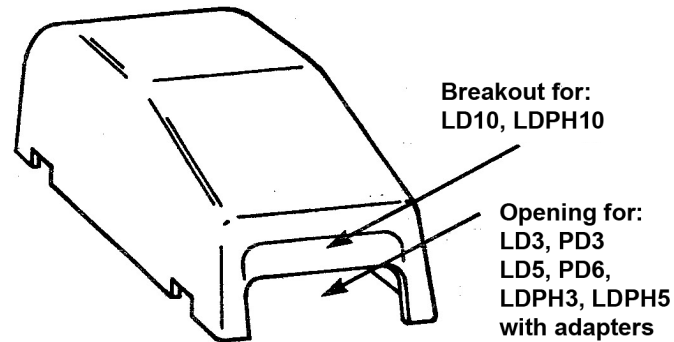


Low voltage or power applications up to 600V



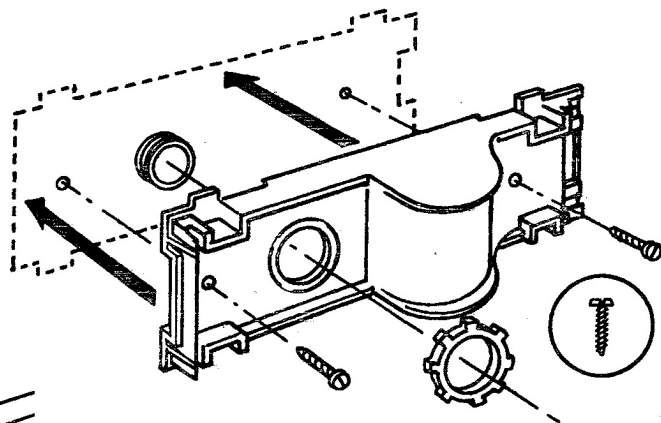
1/2" conduit opening      3/4" conduit breakout

Raceway Breakout	Used with PAN-WAY™ Raceway	Adapters
A	LD3, LDPH3	CA3
A	PD3	BA3
B	LD5, LDPH5	CA5
B	PD6	BA6
C	LD10, LDPH10	N/A

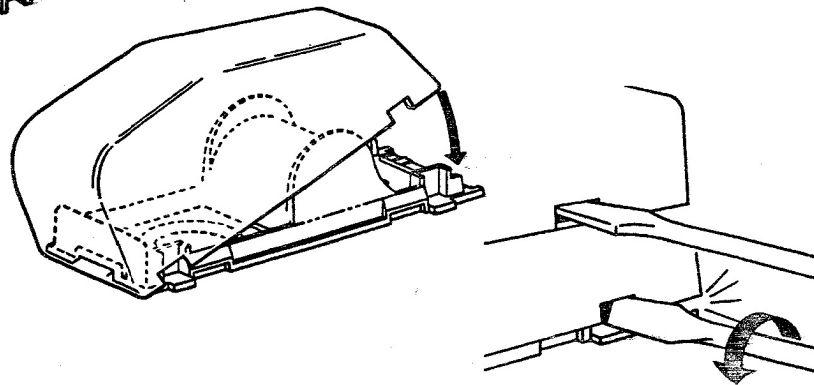
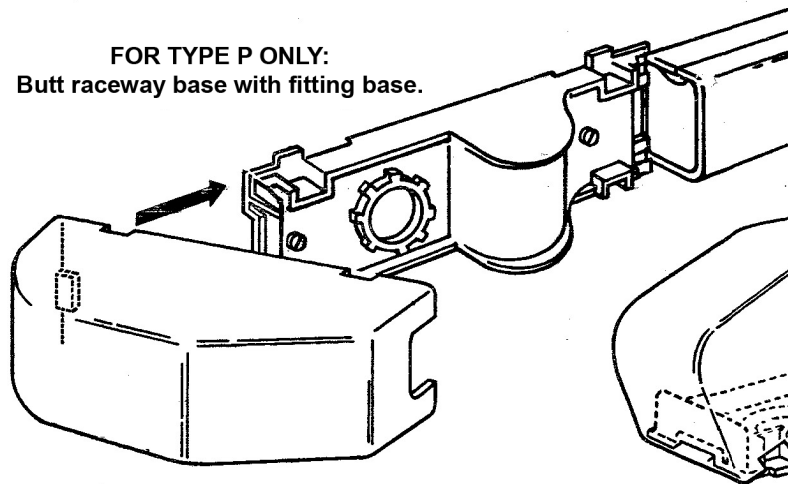


Breakout for:  
LD10, LDPH10

Opening for:  
LD3, PD3  
LD5, PD6,  
LDPH3, LDPH5  
with adapters



FOR TYPE P ONLY:  
Butt raceway base with fitting base.



# PANDUIT

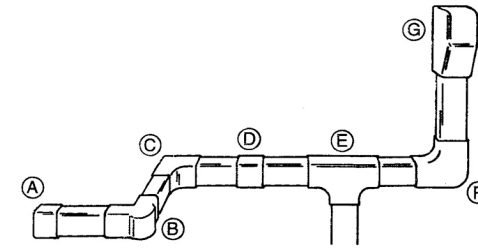
PAN-WAY SURFACE RACEWAY  
TIA/EIA COMPLIANT FITTINGS



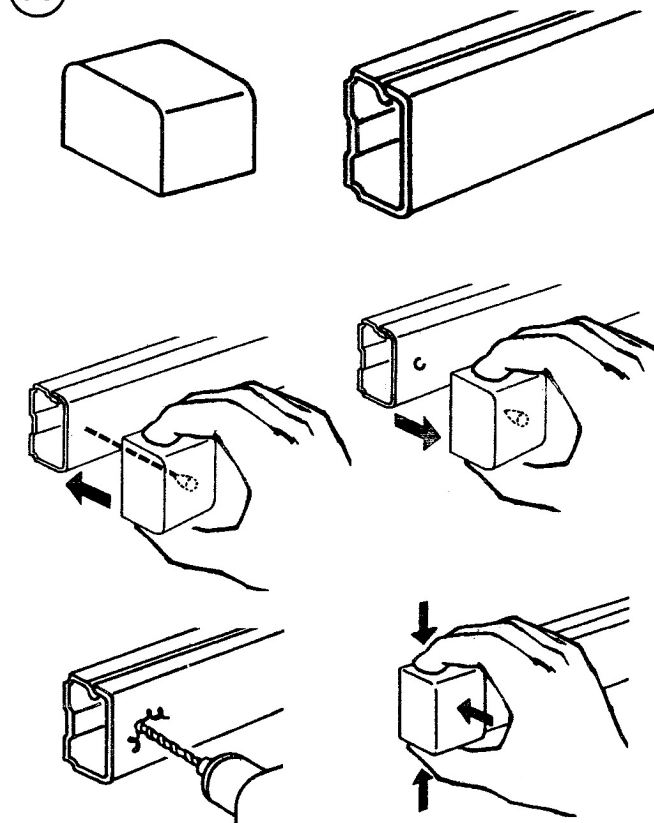
© Panduit Corp. 2011

INSTALLATION INSTRUCTIONS

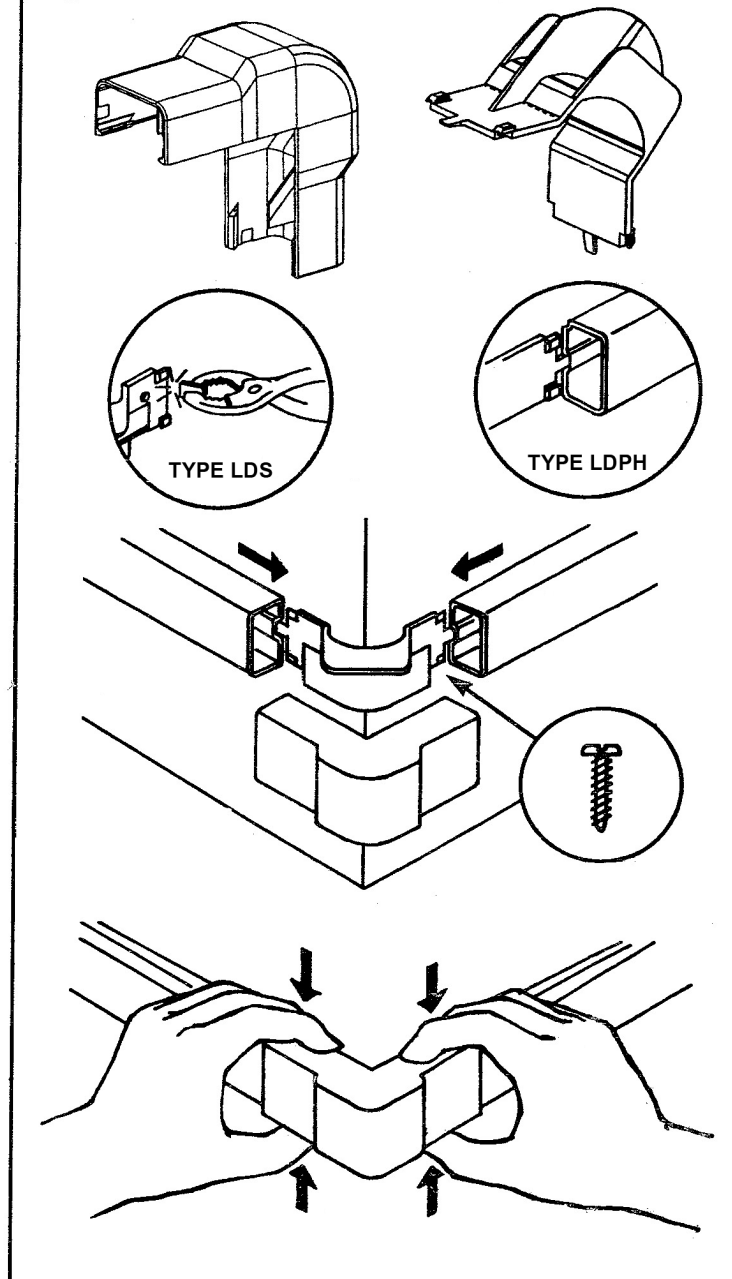
PN26



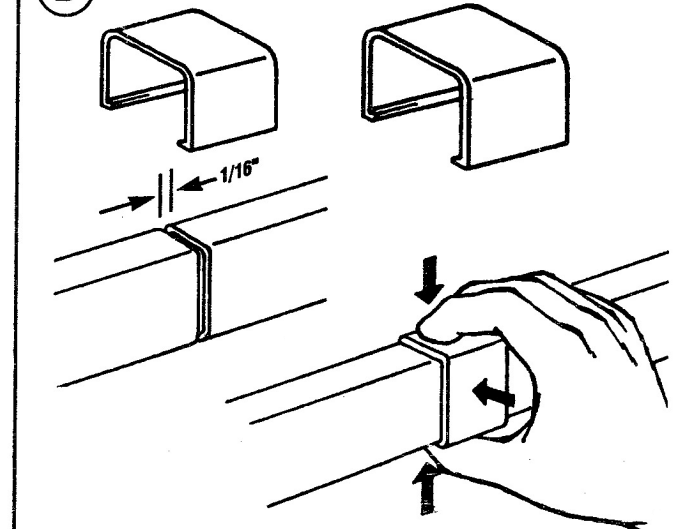
A Part Numbers: ECFX3, ECFX5, ECFX10



B Part Numbers: OCFX3, OCFX5, OCFX10



D Part Numbers: CFX3, CFX5, CFX10



A, B, D

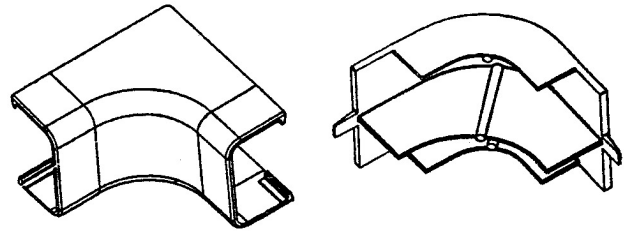
Low voltage or power applications up to 600V

For Instructions in Local Languages  
and Technical Support:  
[www.panduit.com/resources/install\\_maintain.asp](http://www.panduit.com/resources/install_maintain.asp)

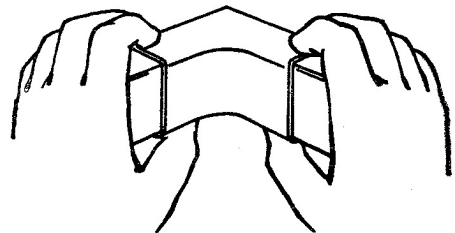
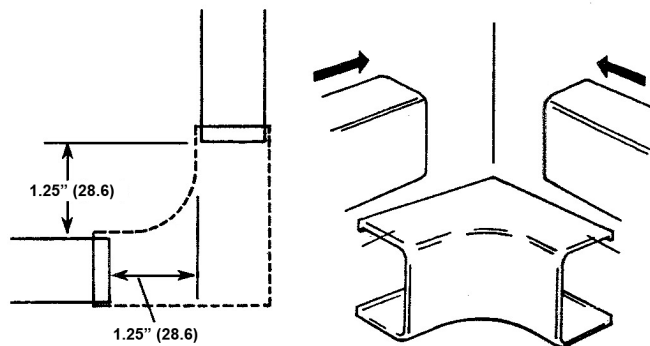
**PANDUIT**  
[www.panduit.com](http://www.panduit.com)

E-mail:  
[cs@panduit.com](mailto:cs@panduit.com)  
Fax:  
(815) 836-0394

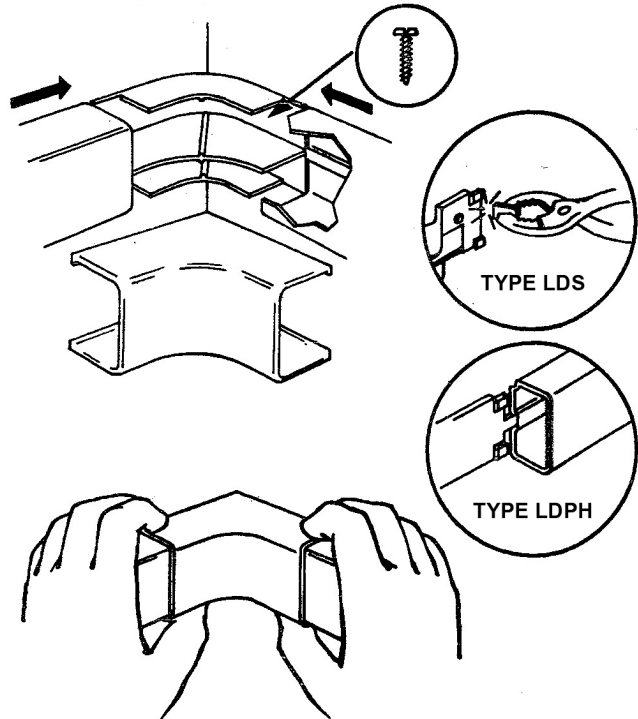
**C** Part Numbers: ICFC3, ICFC5, ICFC10  
 Part Numbers: ICFX3, ICFX5, ICFX10



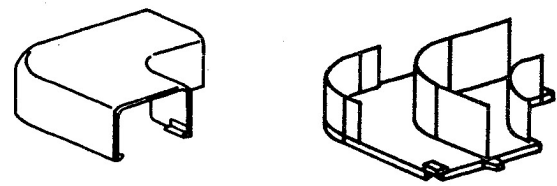
Low voltage applications (Cover only)



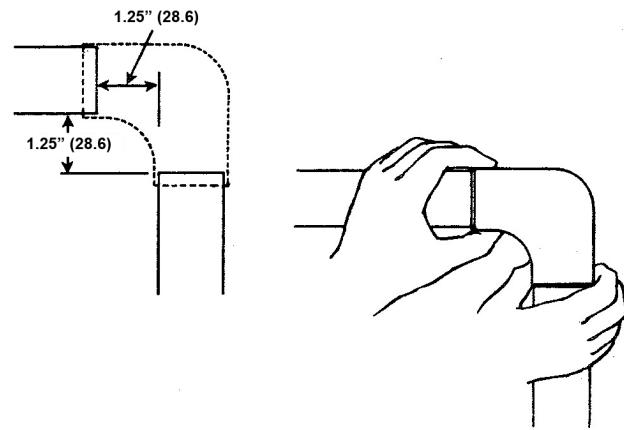
Low voltage or power applications up to 600V



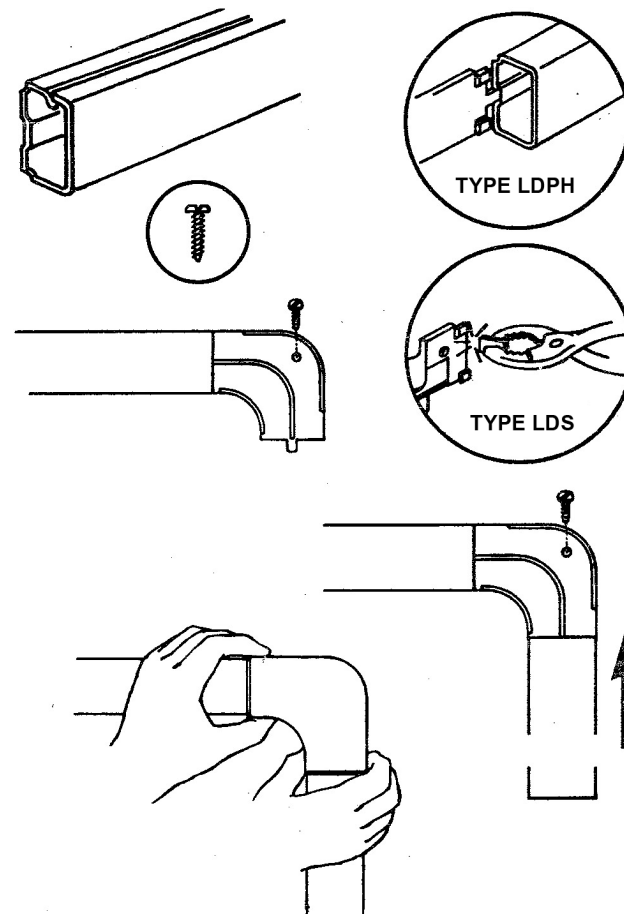
**F** Part Numbers: RAFC3, RAFC5, RAFC10  
 Part Numbers: RAFX3, RAFX5, RAFX10



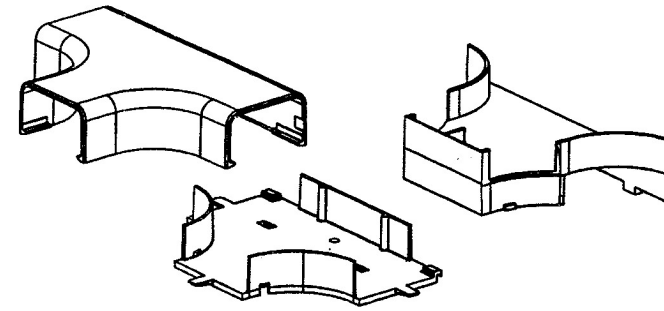
Low voltage applications (Cover only)



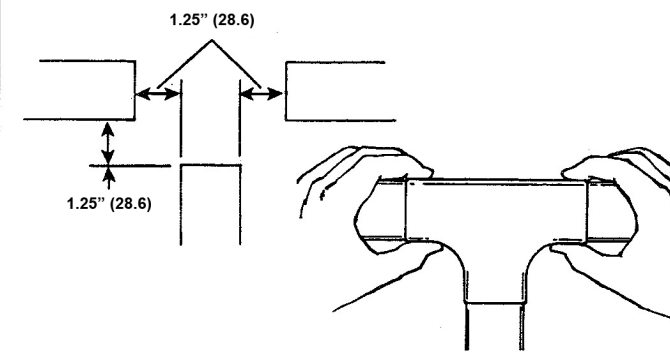
Low voltage or power applications up to 600V



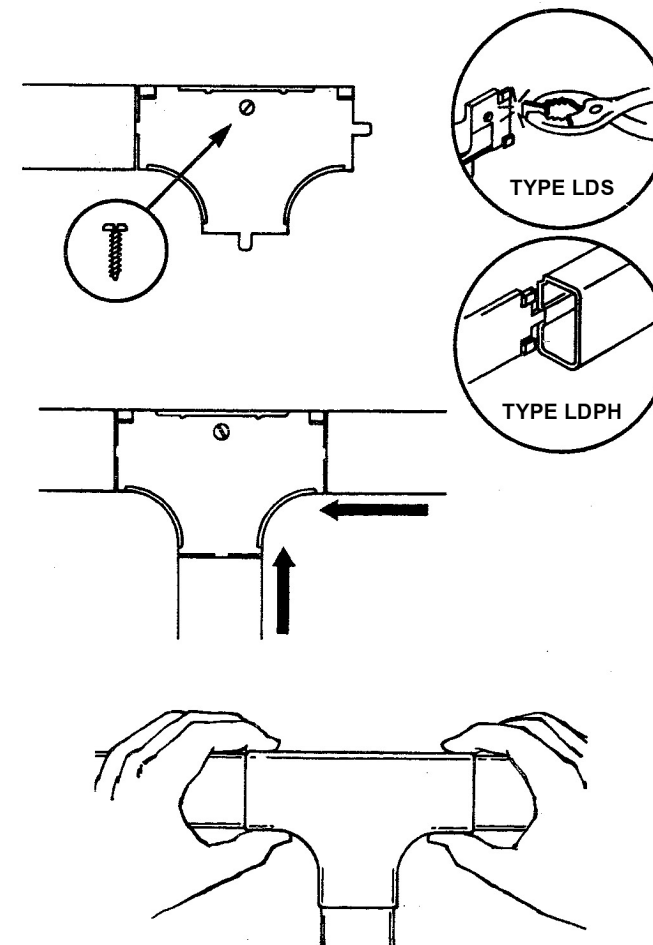
**E** Part Numbers: TFC3, TFC5, TFC10  
 TFX3, TFX5, TFX10, TFXD10



Low voltage applications (Cover only)



Low voltage or power applications up to 600V



Low voltage or power applications up to 600V

