

SPECIFICATIONS

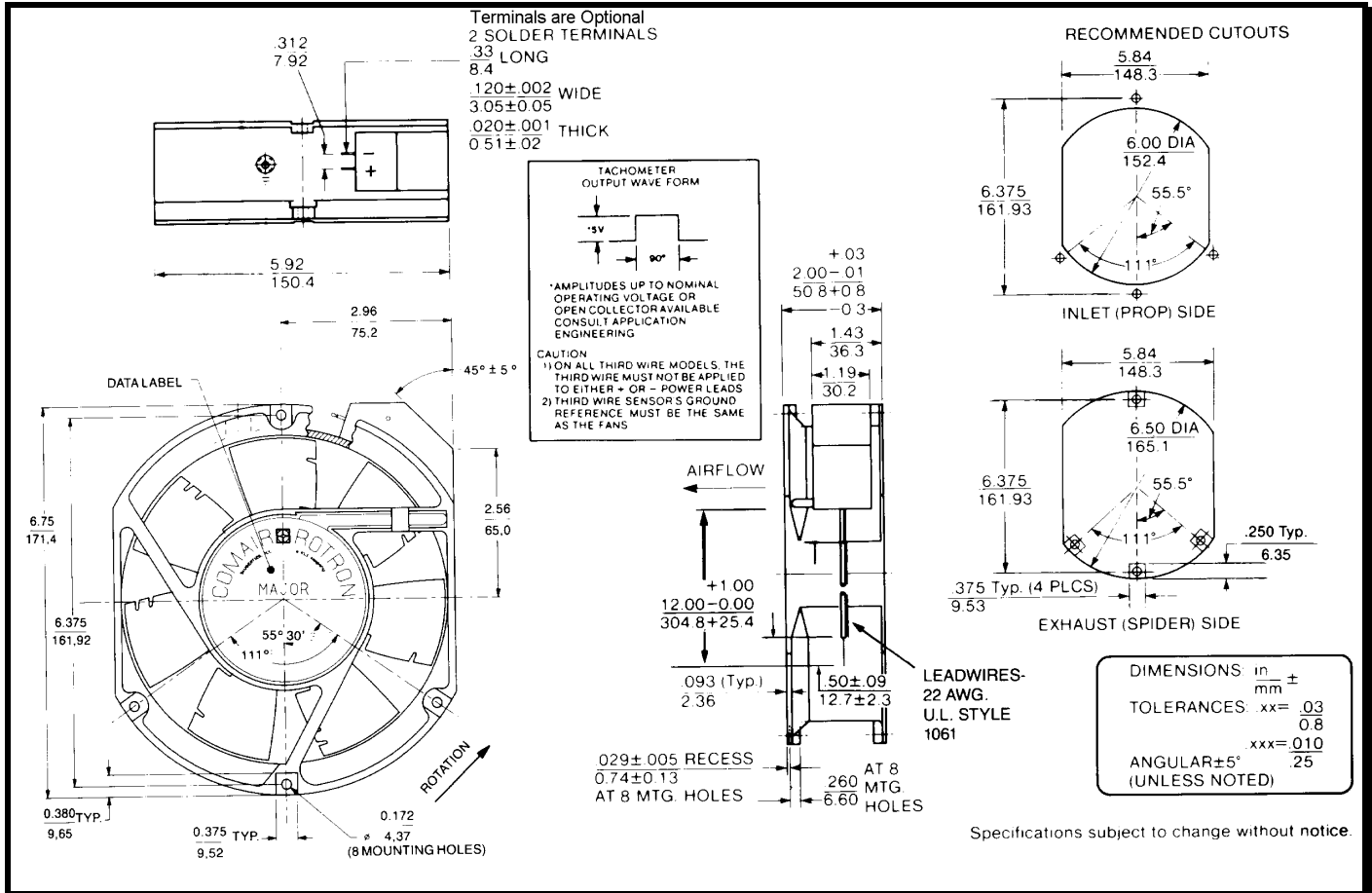
(RoHS Compliant)



Model Number: JQ48B7
Part Number: 19031328A

Rev: 01
Jun 29, 2022

Mechanical Drawing:



Motor:

Nominal Voltage = 48 vdc
 Operating Voltage Range = 24 - 56 vdc
 Nominal Running Current = 0.42 amps
 Locked Rotor Current = 1.00 amps
 Running Power = 20.1 watts
 Average Speed = 3500 rpm
 Bearings = Ball
 Air Flow = 235 CFM
 Acoustic = 54.3 dBA

Construction:

Venturi: Die-Cast Aluminum, Black
 Propeller: Plastic, Black, UL 94V-0

Life Expectancy:

This fan is designed for continuous duty life of 75,000 hours at 40°C.

Agency Approvals:

UL, CUL, CE

Additional Features:

Brushless DC Motor
 Polarity Protected
 Locked Rotor Protection
 Automatic Restart Capability
 Operating Temperature: -10°C to 70°C
 Storage Temperature: -40°C to 85°C

Tachometer:

Output: 5 VDC TTL Compatible
 I_c: 5 mA Typical
 Pulses Per Rev: 2
 Isolated: No

Termination:

12" Lead wires, AWG 22, UL 1061
 Red = Power (+)
 Black = Return (-)
 Blue/White = Tachometer (Output)

PQ Curve:

