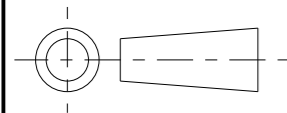


# CUSTOMER DRAWING

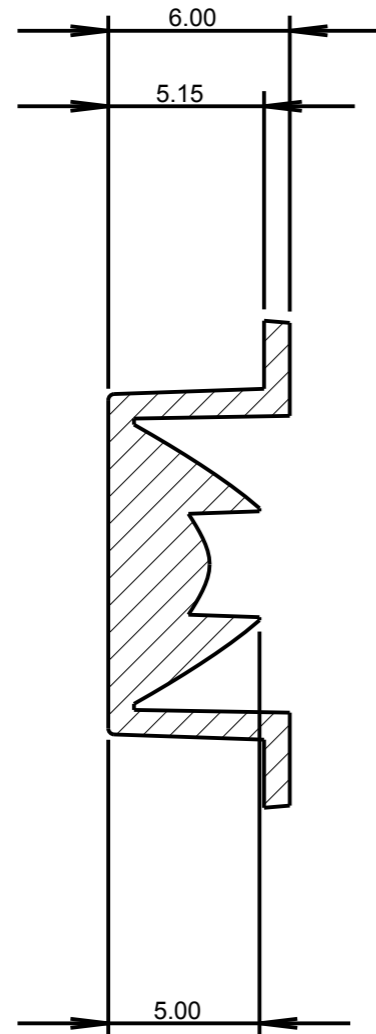
©2011 CTP-COIL  
ALL DIMENSIONS IN mm



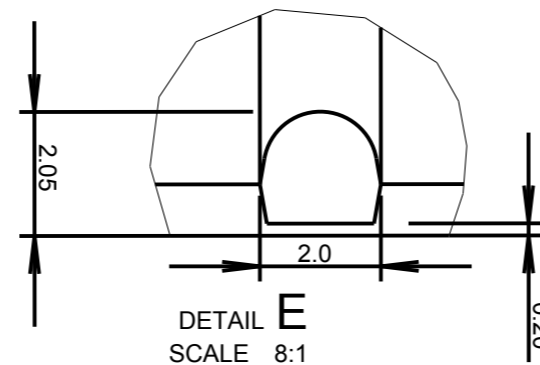
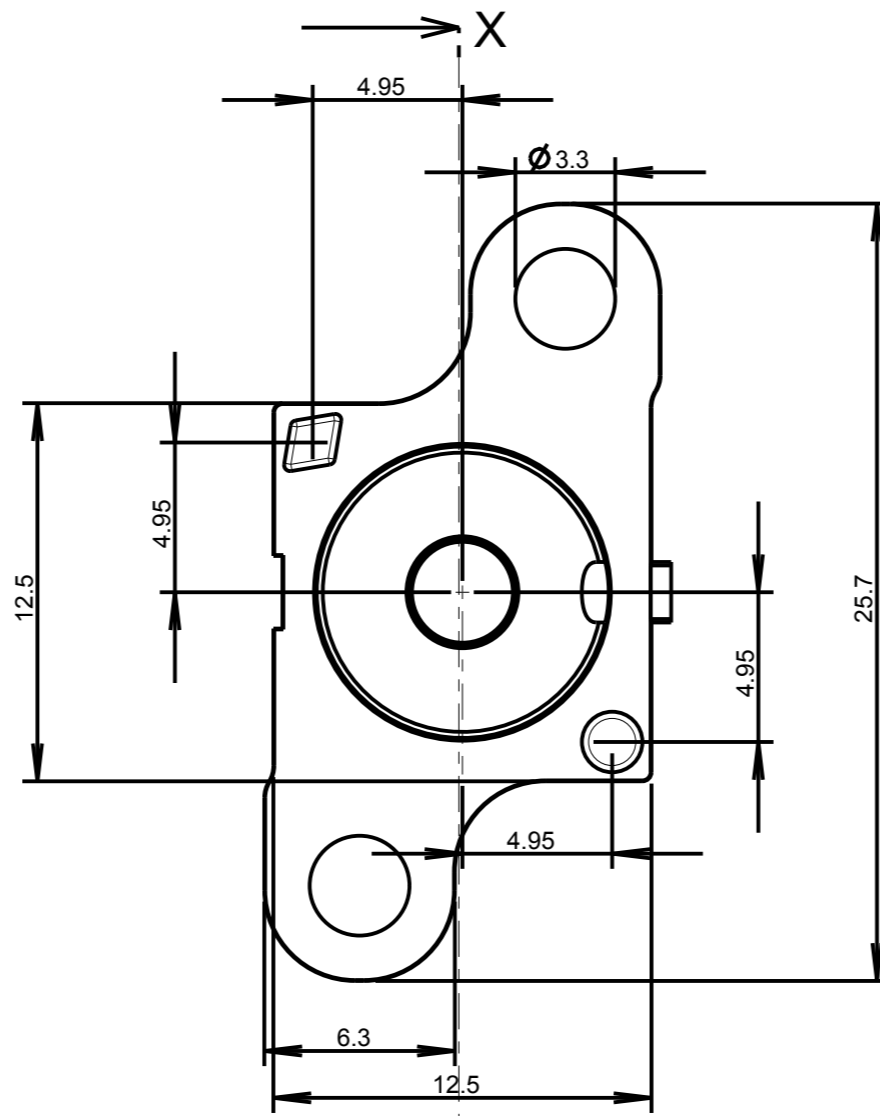
GENERAL VIEW



SCALE 1:1



SECTION X-X



DETAIL E  
SCALE 8:1

SEE DETAIL E

NOTES:

1. MATERIAL - UV STABILISED CLEAR POLYCARBONATE
2. INCLUSIONS SPECIFIED TO BS ISO 10110.

ISS.	DATE	E.C.N.	DESCRIPTION
1	12-Nov-10		FIRST ISSUE
2	23-Mar-11	03/11/1293	ADD RECESS DIMENSION & GENERAL INFO
3	17-Nov-11	11/11/1314	CHANGE 2.0MM PEGS HEIGHT TO 0.8mm



CARCLO TECHNICAL PLASTICS (SLOUGH)  
103 BUCKINGHAM AVE, SLOUGH  
SL1 4PF, ENGLAND  
TEL: +44 1753 575011 FAX: +44 1753 811359  
email: design@carclo-optics.com

GENERAL TOLERANCES (UNLESS STATED)

LINEAR	ANGULAR
X +/- 0.25	X +/- 1°
X.X +/- 0.1	X.X +/- 0.5°
X.XX +/- 0.05	X.XX +/- 0.1°

CUSTOMER

CARCLO

TITLE

10mm IP66 SPOT  
- with Location Pins & Flange

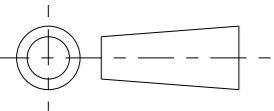
DRAWN BB DATE 12-Nov-10

CHK'D MH DATE 29-Nov-11

APP'D PW DATE 29-Nov-11

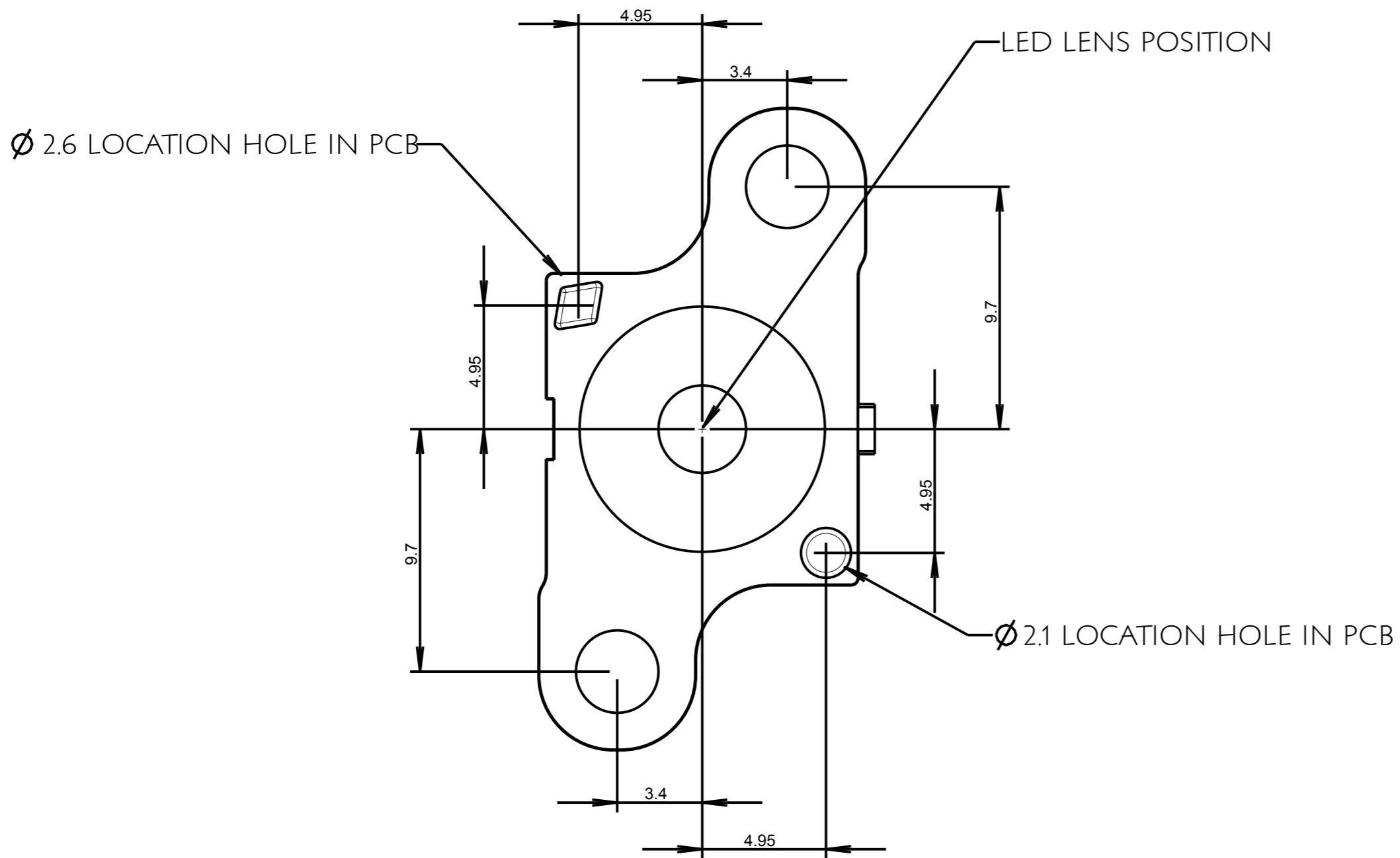
SCALE 4:1 CARCLO PART No. 12079

SIZE A3 CARCLO DRG. No. 60651 SHEET 2 OF 3



©2011 CTP-COIL  
ALL DIMENSIONS IN mm

# PCB GLUE PAD AND ALIGNMENT HOLE LAYOUT DIMENSIONS



ISS.	DATE	E.C.N.	DESCRIPTION
1	12-Nov-10		FIRST ISSUE
2	23-Mar-11	03/11/1293	ADD RECESS DIMENSIONS & GENERAL INFO
3	17-Nov-11	03/11/1293	CHANGE 2.0MM PEGS HEIGHT TO 0.8mm



**CARCLO TECHNICAL PLASTICS (SLOUGH)**  
103 BUCKINGHAM AVE, SLOUGH  
SL1 4PF, ENGLAND  
TEL: +44 1753 575011 FAX: +44 1753 811359  
email: design@carclo-optics.com

GENERAL TOLERANCES (UNLESS STATED)

LINEAR	ANGULAR
X +/- 0.25	X +/- 1°
X.X +/- 0.1	X.X +/- 0.5°
X.XX +/- 0.05	X.XX +/- 0.1°

CUSTOMER

CARCLO

TITLE

10mm IP66 SPOT  
- with Location Pins & Flange

DRAWN

DATE

BB

12-Nov-10

CHK'D

DATE

MH

29-Nov-11

APP'D

DATE

PW

29-Nov-11

SCALE

5:1

CARCLO PART No.

12079

SIZE

A3

CARCLO DRG. No.

60651

SHEET

3 OF 3