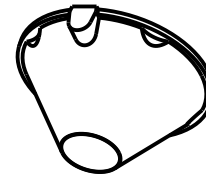
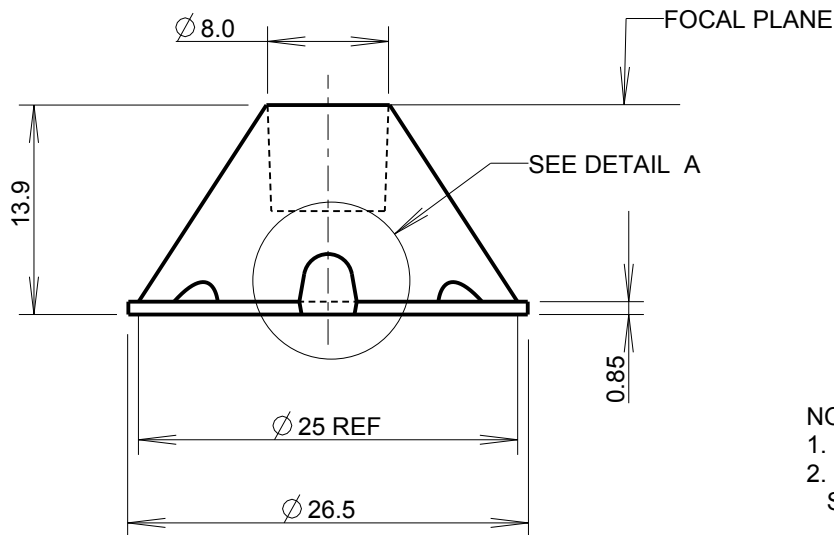
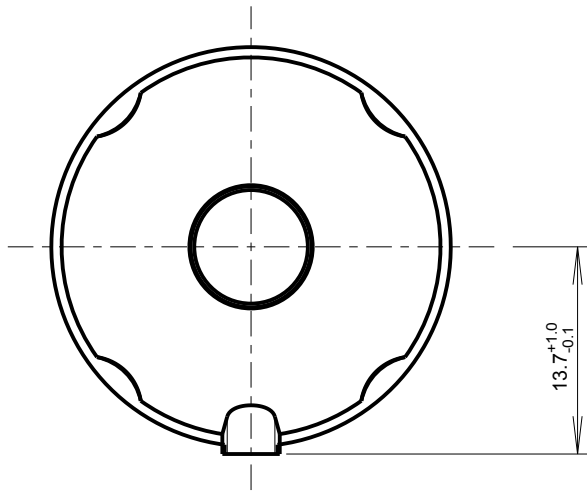


ISS.	DATE	E.C.N.	DESCRIPTION
1	02-May-12		FIRST ISSUE
2	11-Feb-04	2/4/1133	EDGE DRAFT INCREASED TO 3°
3	15-Jan-07	1/07/1199	SCALLOP SIZE INCREASED TO R3.75
4	19-May-11	05/11/1301	TIR CURVE DEFINITION REPLACED WITH EQUATION
4A	03-July-12	07/12/1339	REFINE $\varnothing 25$ DIM. TO REF APPLY NAMING CONVENTION

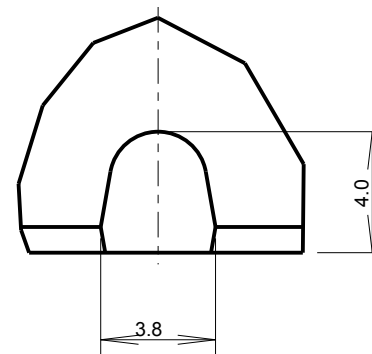
CUSTOMER DRAWING



SCALE 1:1
GENERAL VIEW



DETAIL A
SCALE 4:1



- NOTES:
 1. MATERIAL: POLYCARBONATE
 2. SIMPLIFIED GEOMETRY SHOWN. NOT SUITABLE FOR OPTICAL RAYTRACE

CARCLO TECHNICAL PLASTICS (SLOUGH)
 111 BUCKINGHAM AVE, SLOUGH
 SL1 4PF, ENGLAND

TEL: +44 1753 575011 FAX: +44 1753 811359
 e-mail: design@carclo-optics.com}

GENERAL TOLERANCES (UNLESS STATED)

LINEAR	ANGULAR
X +/- 0.25	X +/- 1°
X.X +/- 0.1	X.X +/- 0.5°
X.XX +/- 0.05	X.XX +/- 0.1°

CUSTOMER

CARCLO

TITLE

$\varnothing 26.5$ mm PLAIN TIGHT TIR OPTIC

DRAWN

DATE

AJD

03-Feb-04

CHK'D

DATE

ADC

24-Apr-12

APP'D

DATE

MB

21-May-12

SCALE

2:1

CARCLO PART No.

10048

SIZE

A4

CARCLO DRG. No.

60367

SHEET

2 OF 2