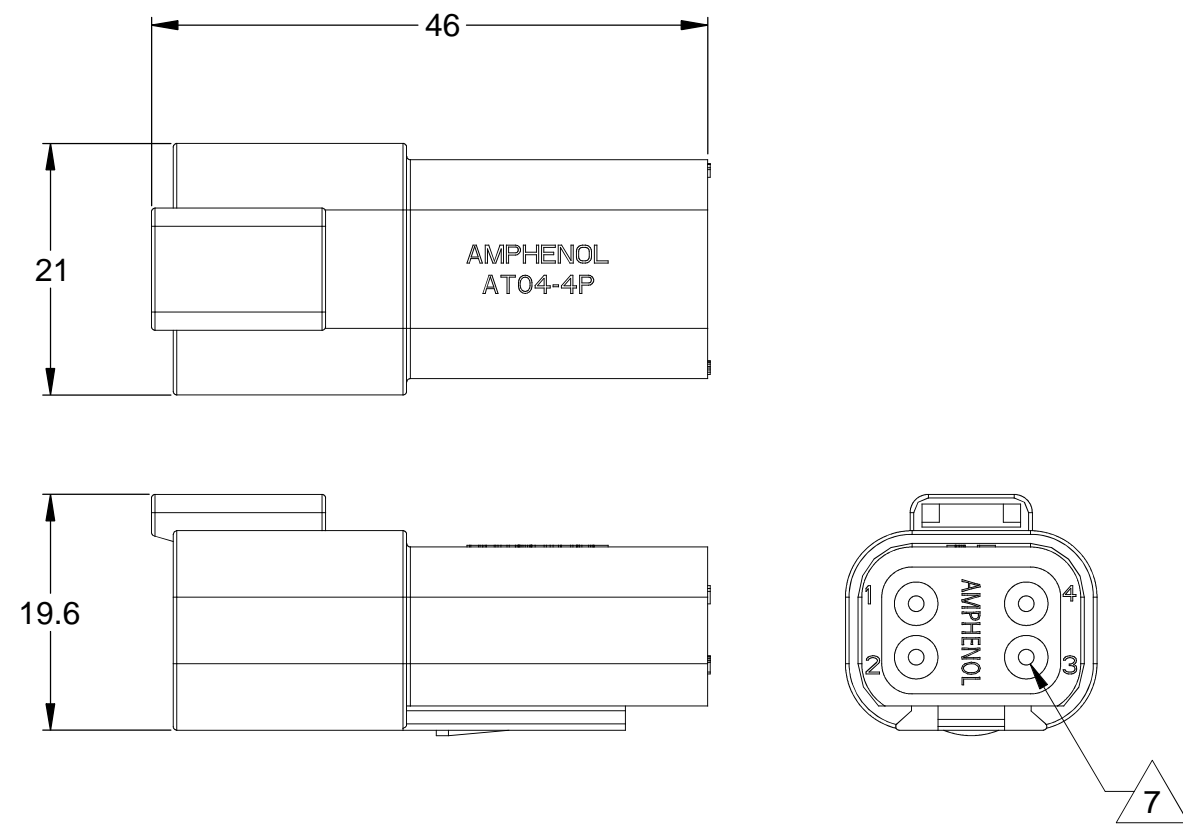
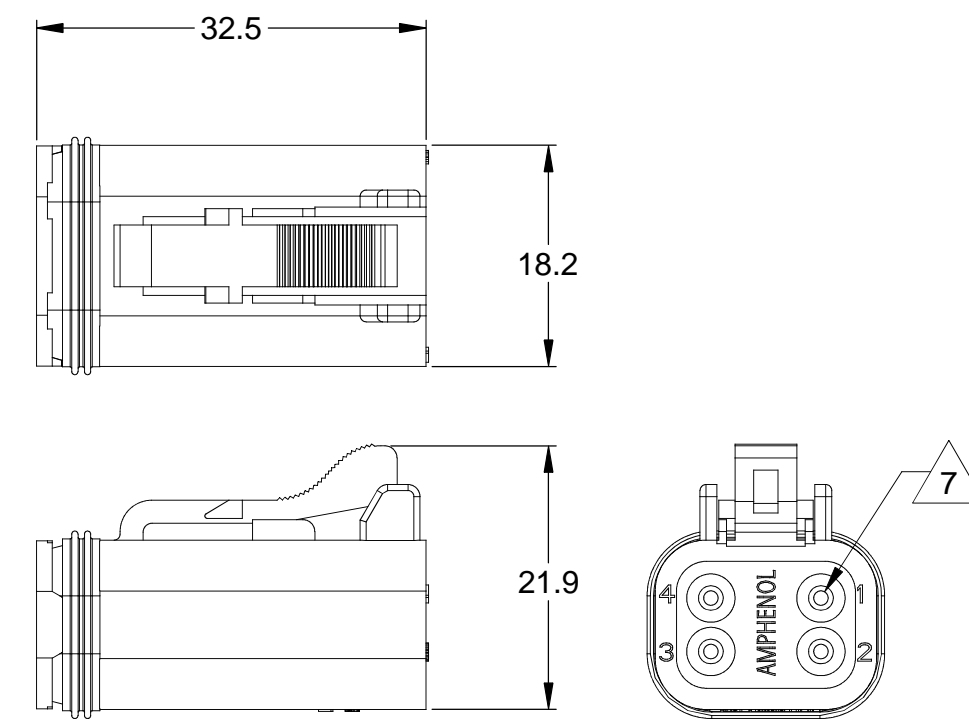


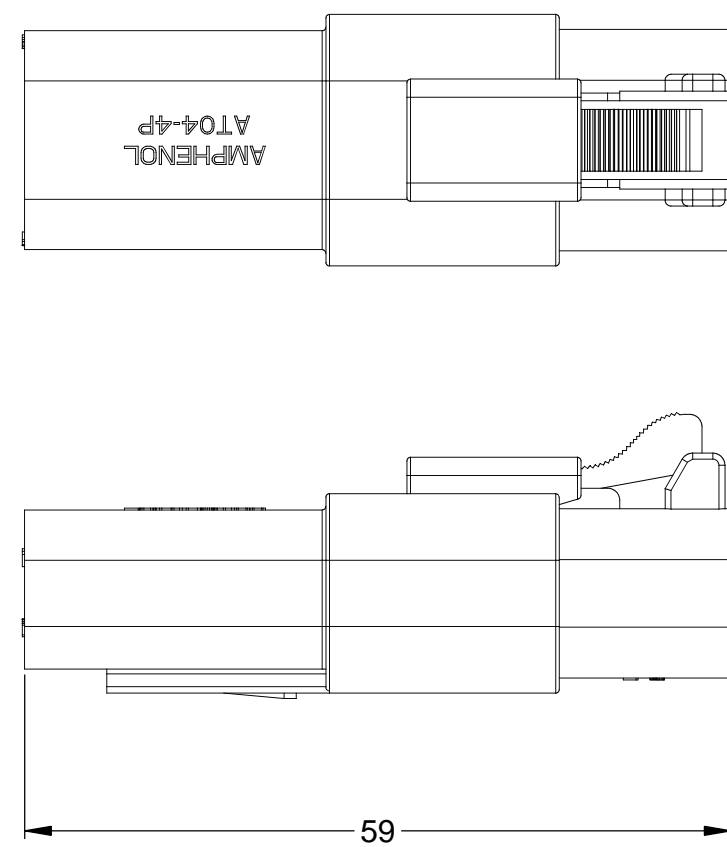
REVISIONS					
REV	ECO	DESCRIPTION	DATE	BY	APPR
A	-	RELEASE	30SEP13	DRP	-



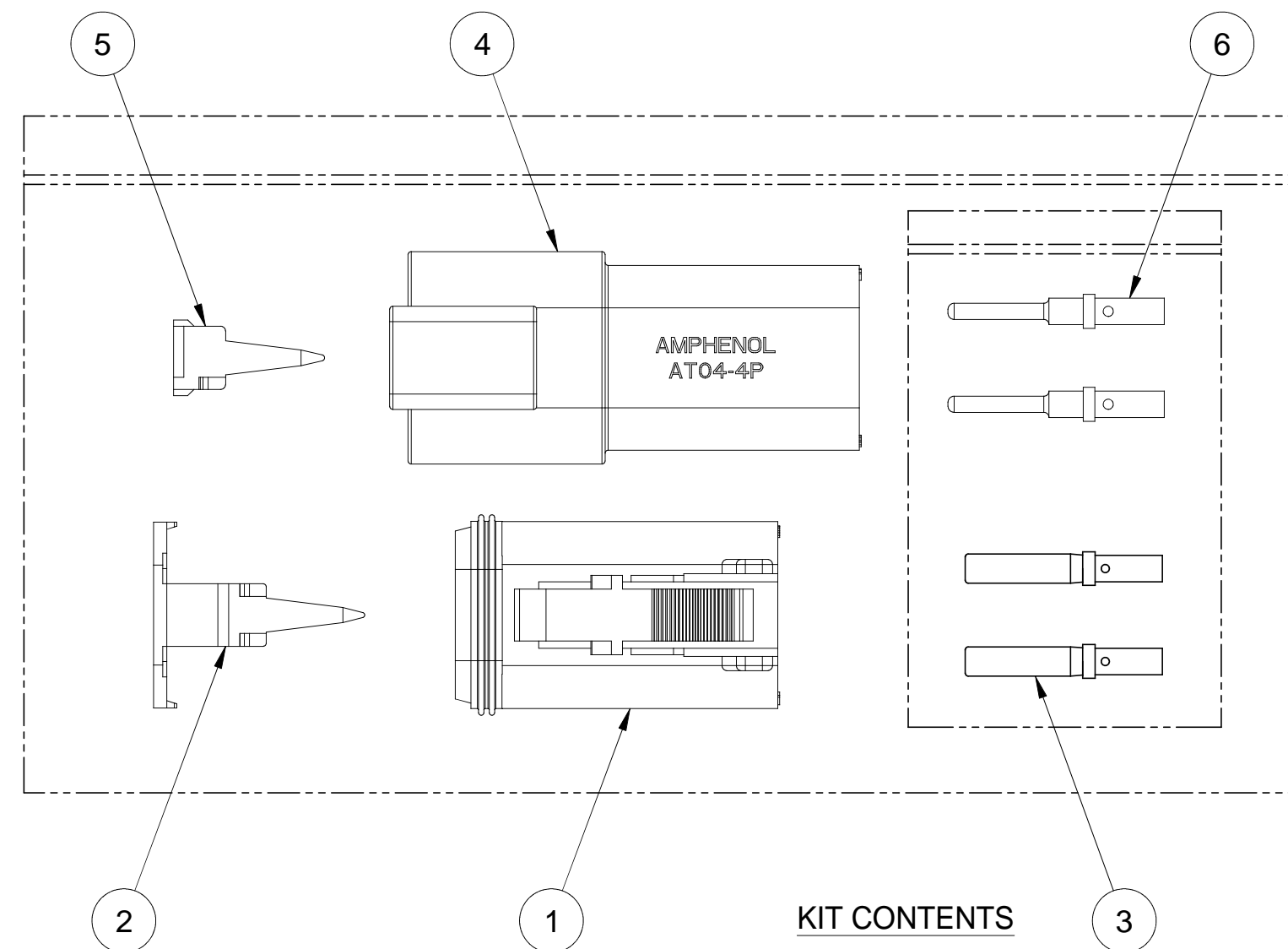
REFERENCE DIMENSIONS - ASSEMBLED RECEPTACLE



REFERENCE DIMENSIONS - ASSEMBLED PLUG



ASSEMBLED PLUG AND RECEPTACLE



KIT CONTENTS

NOTES: UNLESS OTHERWISE SPECIFIED

- MATERIAL:
HOUSING: THERMOPLASTIC; COLOR: GREY
WEDGELOCK: THERMOPLASTIC; COLOR: GREEN
SEALS: SILICONE RUBBER
CONTACTS: COPPER ALLOY; NICKEL PLATED
- SPECIFICATIONS:
2.1 CURRENT RATING: 13 AMPS
2.2 OPERATING TEMPERATURE: -55°C TO +125°C
2.3 DIELECTRIC WITHSTANDING VOLTAGE: LESS THAN 2 MILLIAMPS CURRENT LEAKAGE @ 1500 VOLTS AC.
2.4 INSULATION RESISTANCE: 1000 MEGOHMS MIN @ 25°C.
2.5 CONTACT MILLIVOLT DROP: 60 MILLIVOLT DROP @ 13 AMP TEST CURRENT.
2.6 MOISTURE RESISTANCE: IP67 (MATED CONDITION)
2.7 CONNECTOR MATING CYCLE DURABILITY: 100 CYCLES

- AVAILABLE HAND CRIMPER: CA-5D12
- ALL COMPONENTS ARE RoHS COMPLIANT.
- ALL DIMENSIONS ARE FOR REFERENCE USE ONLY.

6 WIRE RANGE OF CONTACTS INCLUDED
IN KIT: 16 - 20 AWG

7 CONTACT SIZE AND REAR SEAL WIRE RANGE:

CONTACT SIZE	MIN. INSUL. O.D.	MAX. INSUL. O.D.	TYPICAL WIRE RANGE
16	2.24 mm (.088 in)	3.68 mm (.145 in)	14 - 20 AWG

6	4	AT60-202-16141	CONTACT, PIN, SOLID, SIZE 16, 16-20 AWG	6
	1	AW4P	P-WEDGELOCK, 4 POSITION, AT SERIES	5
	1	AT04-4P	RECEPTACLE, 4 PIN, AT SERIES	4
6	4	AT62-201-16141	CONTACT, SOCKET, SOLID, SIZE 16, 16-20 AWG	3
	1	AW4S	S-WEDGELOCK, 4 POSITION, AT SERIES	2
	1	AT06-4S	PLUG, 4 SOCKET, AT SERIES	1
	QUANTITY	PART NUMBER	DESCRIPTION	ITEM

UNLESS OTHERWISE SPECIFIED		SIGNATURES	DATE	Amphenol	
1) All dimensions are in metric(mm). 2) Tolerances are as follows: 1 PL DEC ±0.30 Fractions ±1/64 2 PL DEC ±0.15 Angles ±1° 3 PL DEC ±0.08		D.PARKS	30SEP13	Sine Systems - www.amphenol-sine.com 44724 Morley Drive Clinton Township, MI 48036	
3) Note reference =		CHECKED:		KIT, AT SERIES, 4 POS. PLUG, RECEPTACLE, CONTACTS, AND WEDGELOCKS	
MATERIAL SPECIFICATIONS:		ENGINEER:		SIZE	TYPE
PROCESS SPECIFICATIONS:		APPROVAL:		C	C-
NEXT ASSY:		CUSTOMER:		DWG NO:	REVISION
				AT4PS-CKIT	A
				SCALE: NONE	SHEET 1 OF 1

TITLE: KIT, AT SERIES, 4 POS. PLUG, RECEPTACLE, CONTACTS, & WEDGELOCKS
DWG NO: AT4PS-CKIT
REV: A
SH: 1
OF: 1