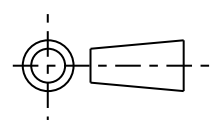


ISS.	DATE	E.C.N.	DESCRIPTION
2	15-Jan-07	1/07/1199	EJECTOR SIZE INCREASED

© 2007 CARCLO  
ALL DIMENSIONS IN mm



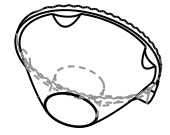
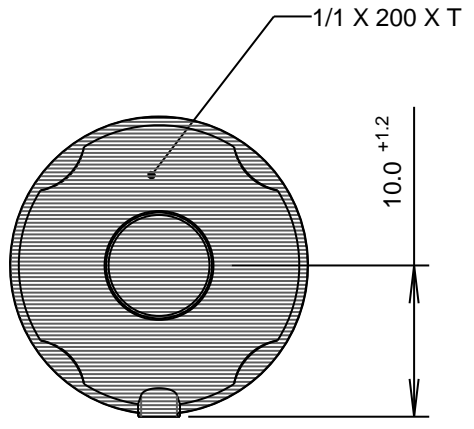
CARCLO TECHNICAL PLASTICS (SLOUGH)  
111 BUCKINGHAM AVE, SLOUGH  
SL1 4PF, ENGLAND  
TEL: +44 1753 575011 FAX: +44 1753 811359  
e-mail: design@carclo-optics.com}

**CUSTOMER DRAWING**

- NOTES:  
1. MATERIAL - UV STABILISED POLYCARBONATE  
2. INCLUSIONS SPECIFIED TO BS4301

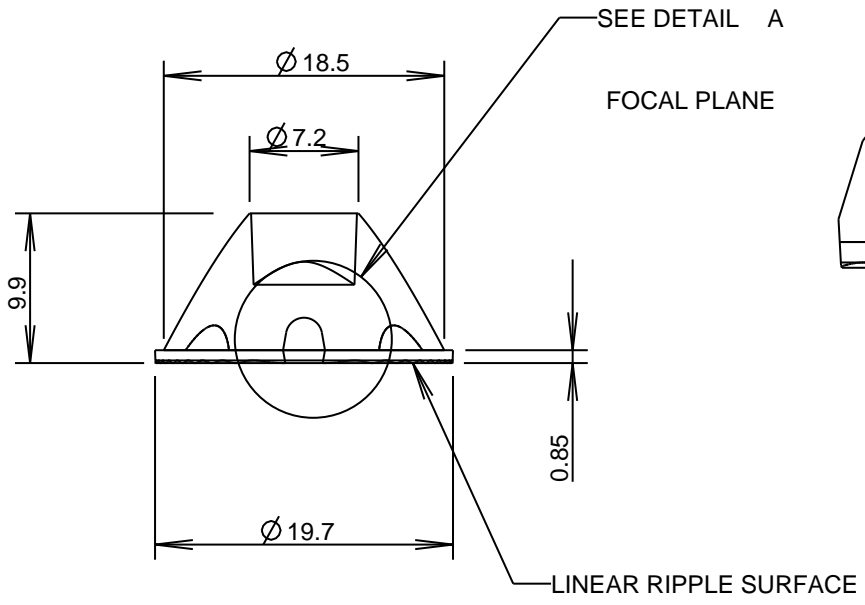
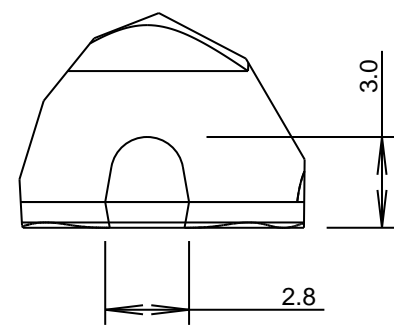
GENERAL TOLERANCES (UNLESS STATED)

LINEAR	ANGULAR
X +/- 0.25	X +/- 1°
X.X +/- 0.1	X.X +/- 0.5°
X.XX +/- 0.05	X.XX +/- 0.1°



3D VIEW  
SCALE 1:1

DETAIL A  
SCALE 4:1



CUSTOMER		
CARCLO		
TITLE		
LINEAR 0.8MM OFFSET FOCUS 20 MM DIAMETER OPTIC		
DRAWN	DATE	
AJD	17-Aug-06	
CHK'D	DATE	
APP'D	DATE	
SCALE	CARCLO PART No.	
2:1	10197	
SIZE	CARCLO DRG. No.	SHEET
A4	60432	1 OF 1