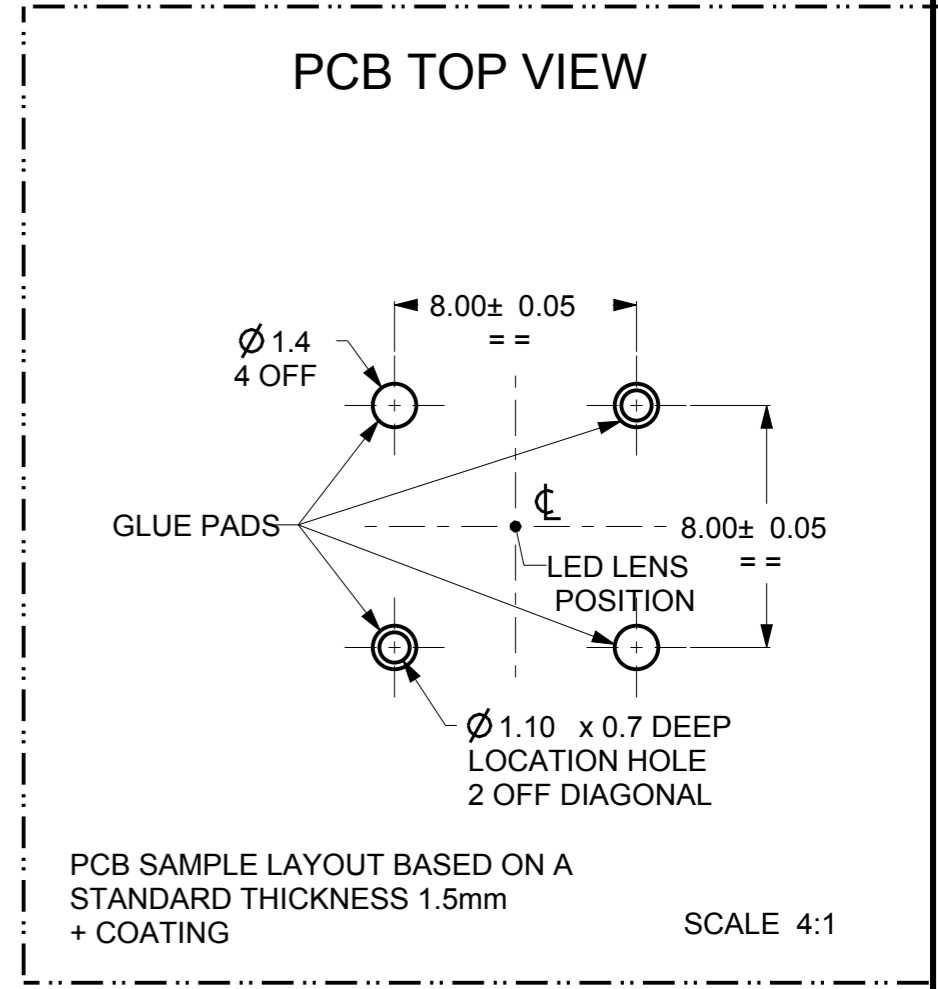
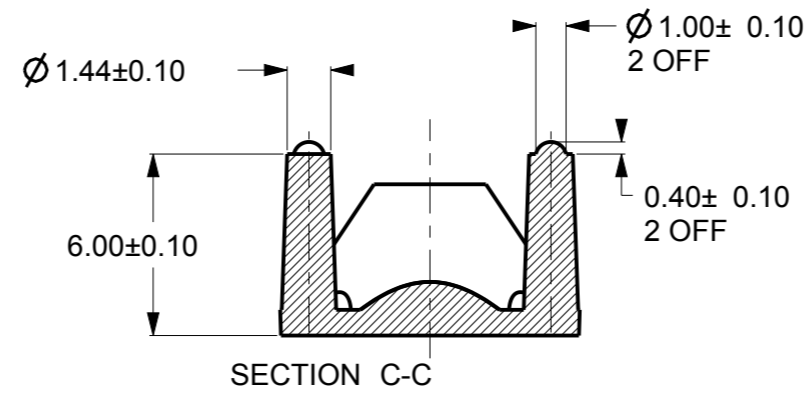
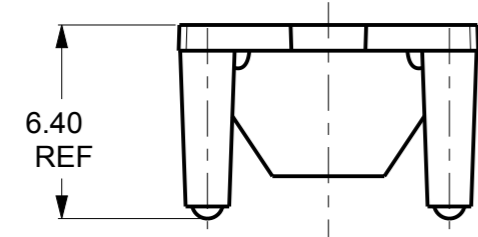
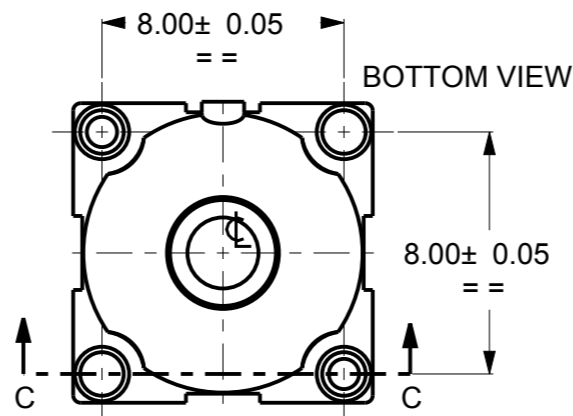
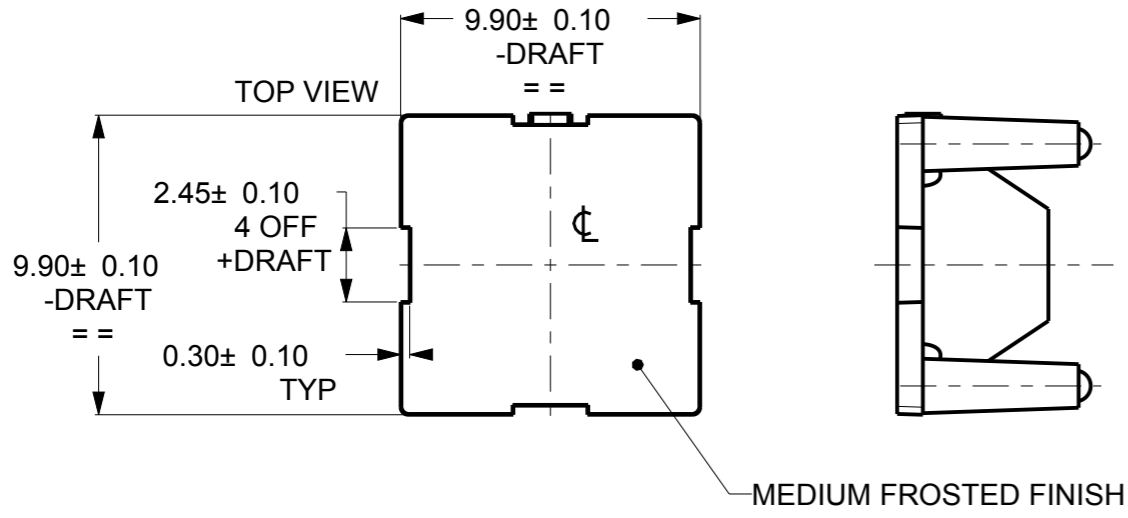


CUSTOMER DRAWING

SHEET 2 ONLY

REV.	DATE	D.C.N. NUMBER	DESCRIPTION	CHECKED BY DATE	APPROVED BY DATE
1	01/06/08		FIRST ISSUE	NAME dd/mm/yy	NAME dd/mm/yy
1 A	26/03/11	03/11/1295	TYPO DIM CORRECTED	NAME dd/mm/yy	NAME dd/mm/yy
1 B	05/12/11	12/11/1322	DRAWING UPDATED WITH NEW DRW. STANDARDS AND NEW CARCLO OPTICS FORMAT FOR FULL DETAILS SEE D.C.N	PW 16/07/12	MH 16/07/12



SCALE 1:1

- NOTES:
- 1 - MATERIAL: POLYCARBONATE
 - 2 - FINISH: COMMERCIAL POLISH FOR ALL NON OPTICAL SURFACES. OPTICAL SURFACES ARE OPTICALLY POLISHED
 - 3 - OVERALL PART THICKNESS = SEE 3D FILE
 - 4 - COLOUR CLEAR
 - 5 - GENERAL DRAFT 2°
 - 6 - SIMPLIFIED GEOMETRY SHOWN. NOT SUITABLE FOR OPTICAL RAYTRACE

SCALE 4:1

Sheet 2 of 2

		Title		10mm SQUARE WIDE FROSTED OPTIC			
103 Buckingham Avenue, SL1 4PF, U.K. Tel: +44 (0)1753 575 011 Fax: +44 (0)1753 811 359 sales@carclo-optics.com www.carclo-optics.com		Drawn by	FP	Customer	CARCLO	Scale	AS SPEC.
	GENERAL TOLERANCES UNLESS OTHERWISE STATED LINEAR ANGULAR 0 ± 0.25 0 ± 1° 0.0 ± 0.1 0.0 ± 0.5° 0.00 ± 0.05 0.00 ± 0.1°	CARCLO Optics CONFIDENTIAL: UNAUTHORISED COPYING, DISCUSSION & DISTRIBUTION PROHIBITED		DIMENSIONS IN mm		Format Size	A3
		CAD File	60527		Part N°	10414	Drw N°