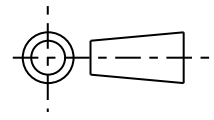


ISS.	DATE	E.C.N.	DESCRIPTION
1	26-Apr-07		FIRST ISSUE

© 2007 CARCLO
ALL DIMENSIONS IN mm



CARCLO TECHNICAL PLASTICS (SLOUGH)
111 BUCKINGHAM AVE, SLOUGH
SL1 4PF, ENGLAND
TEL: +44 1753 575011 FAX: +44 1753 811359
e-mail: design@carclo-optics.com}

CUSTOMER DRAWING

GENERAL TOLERANCES (UNLESS STATED)

LINEAR	ANGULAR
X +/- 0.25	X +/- 1°
X.X +/- 0.1	X.X +/- 0.5°
X.XX +/- 0.05	X.XX +/- 0.1°

CUSTOMER
CARCLO

TITLE
0.8MM OFFSET FOCUS SOFT
WIDE BEAM FROSTED OPTIC

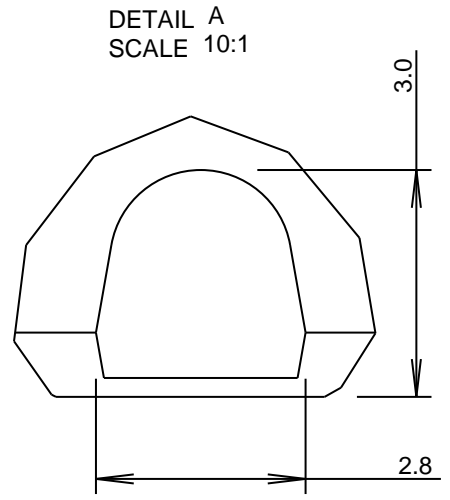
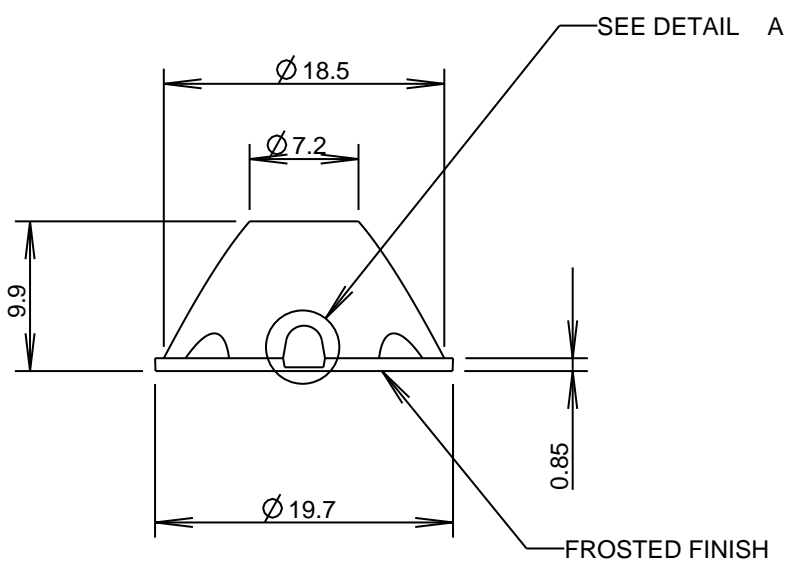
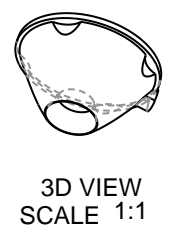
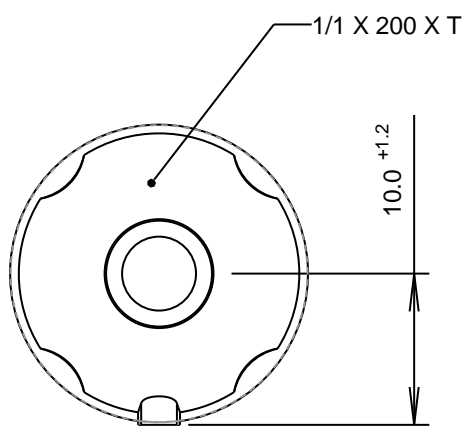
DRAWN DATE
AJD 26-Apr-07

CHK'D DATE

APP'D DATE

SCALE CARCLO PART No.
2:1 10196

SIZE CARCLO DRG. No. SHEET
A4 60461 1 OF 1



- NOTES:
1. MATERIAL - UV STABILISED POLYCARBONATE
2. INCLUSIONS SPECIFIED TO BS4301