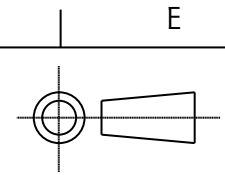


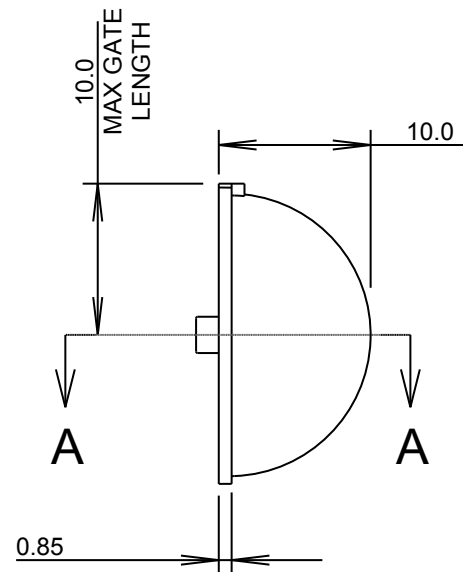
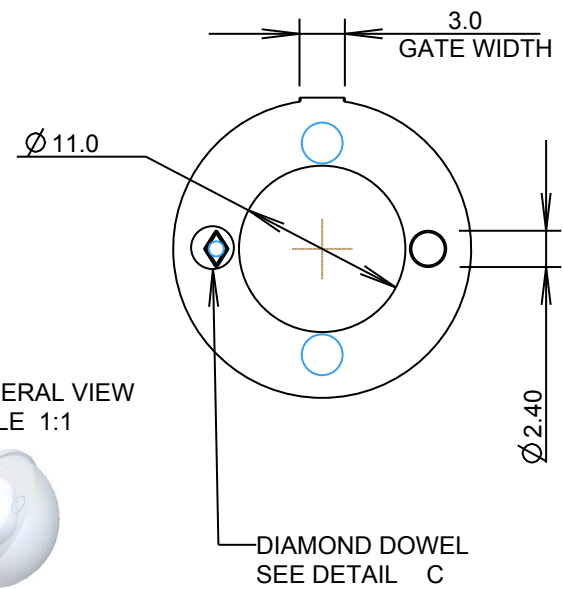
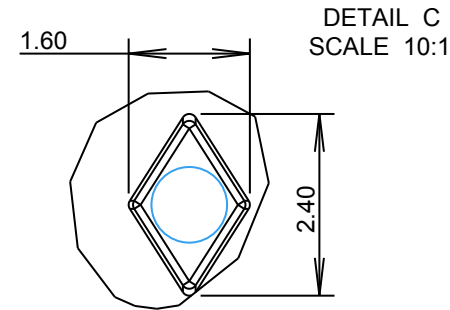
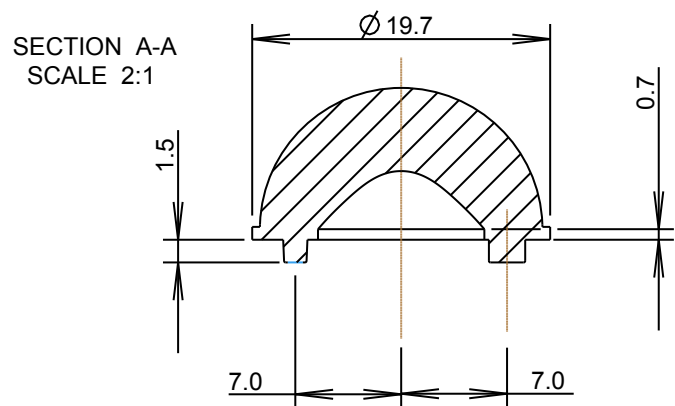
ISS.	DATE	E.C.N.	DESCRIPTION
1	5-Mar-09		FIRST ISSUE

© 2006 CARCLO  
ALL DIMENSIONS IN mm



CARCLO TECHNICAL PLASTICS (SLOUGH)  
111 BUCKINGHAM AVE, SLOUGH  
SL1 4PF, ENGLAND  
TEL: +44 1753 575011 FAX: +44 1753 811359  
e-mail: design@carclo-optics.com}

CUSTOMER DRAWING



MATERIAL: POLYCARBONATE

GENERAL TOLERANCES (UNLESS STATED)

LINEAR	ANGULAR
X +/- 0.25	X +/- 1°
X.X +/- 0.1	X.X +/- 0.5°
X.XX +/- 0.05	X.XX +/- 0.1°

CUSTOMER  
CARCLO

TITLE  
DOWNLIGHT  
BUBBLE OPTIC

DRAWN DATE  
AJD 5-Mar-09

CHK'D DATE

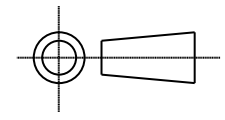
APP'D DATE

SCALE CARCLO PART No.  
2:1 10628

SIZE CARCLO DRG. No. SHEET  
A4 60586 1 OF 2

ISS.	DATE	E.C.N.	DESCRIPTION
1	5-Mar-09		FIRST ISSUE

© 2006 CARCLO  
ALL DIMENSIONS IN mm



CARCLO TECHNICAL PLASTICS (SLOUGH)  
111 BUCKINGHAM AVE, SLOUGH  
SL1 4PF, ENGLAND  
TEL: +44 1753 575011 FAX: +44 1753 811359  
e-mail: design@carclo-optics.com}

## PCB GLUE PAD AND ALIGNMENT HOLE LAYOUT DIMENSIONS

### GENERAL TOLERANCES (UNLESS STATED)

LINEAR	ANGULAR
X +/- 0.25	X +/- 1°
X.X +/- 0.1	X.X +/- 0.5°
X.XX +/- 0.05	X.XX +/- 0.1°

CUSTOMER		
CARCLO		
TITLE		
DOWNLIGHT BUBBLE OPTIC		
DRAWN	DATE	
AJD	5-Mar-09	
CHK'D	DATE	
APP'D	DATE	
SCALE	CARCLO PART No.	
5:1	10628	
SIZE	CARCLO DRG. No.	SHEET
A4	60586	2 OF 2

Ø 19.7  
GLUE PAD

LED LENS  
POSITION

Ø 2.5  
PCB HOLE

Ø 2.5  
PCB HOLE

Ø 11.0  
SOLDER PAD  
RECESS

7.0

NOTE: THE CLOSEST THAT TWO OR MORE LENSES CAN BE PLACED TOGETHER WITHOUT OBSCURATION IS 27MM BETWEEN CENTRES.