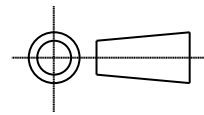


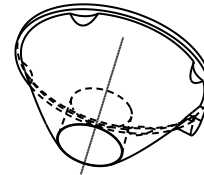
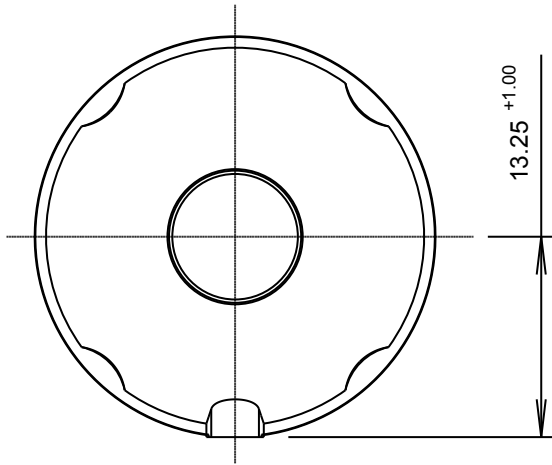
ISS.	DATE	E.C.N.	DESCRIPTION
2	24-Jul-08		PIN DIA CHANGED FROM 9.0 TO 8.7 TIR SURFACE RE-OPTIMISED

© 2008 CARCLO  
ALL DIMENSIONS IN mm



CARCLO TECHNICAL PLASTICS (SLOUGH) LTD.  
111 BUCKINGHAM AVE, SLOUGH  
SL1 4PF, ENGLAND  
TEL: +44 1753 575011 FAX: +44 1753 811359  
e-mail: design@ctcoil.co.uk}

**CUSTOMER DRAWING**



SCALE 1:1  
GENERAL VIEW

GENERAL TOLERANCES (UNLESS STATED)

LINEAR	ANGULAR
X +/- 0.25	X +/- 1°
X.X +/- 0.1	X.X +/- 0.5°
X.XX +/- 0.05	X.XX +/- 0.1°

CUSTOMER

TITLE

26.5mm OPTIC 0.8mm OFFSET  
MEDIUM FROSTED

DRAWN M.K. DATE 2-June-08

CHK'D DATE

APP'D DATE

SCALE COIL PART No.

2:1

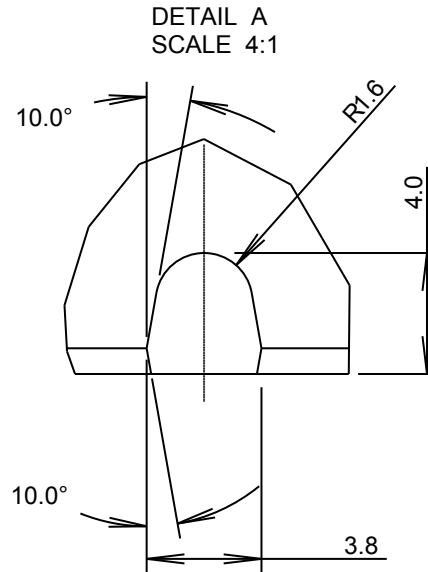
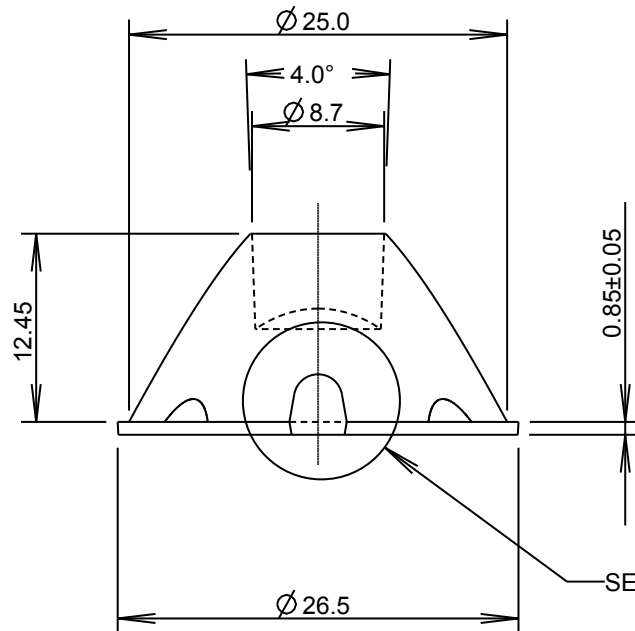
10393

SIZE COIL DRG. No. SHEET

A4

60509

1 OF 1



MATERIAL: POLYCARBONATE