

| | | |
|-------------------|------|---------------|
| CUSTOMER TERMINAL | RoHS | LEAD(Pb)-FREE |
| Sn96%, Ag4% | Yes | Yes |

more than you expect



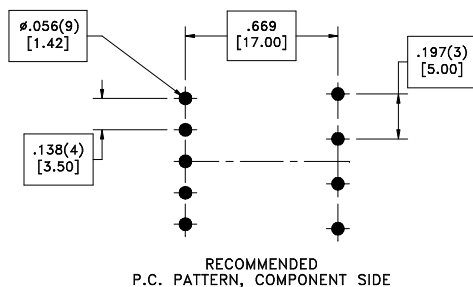
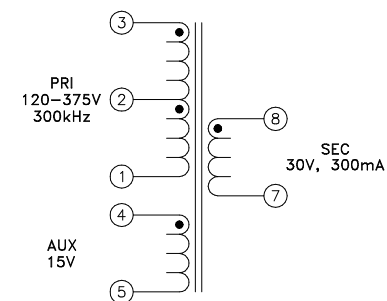
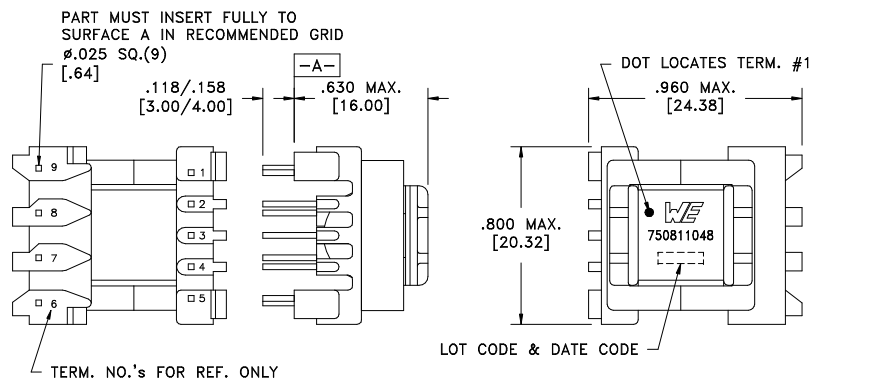
ELECTRICAL SPECIFICATIONS @ 25°C unless otherwise noted:

| PARAMETER | TEST CONDITIONS | VALUE |
|--------------------|--|----------------------|
| D.C. RESISTANCE | 1-3 @20°C | 2.90 ohms ±10% |
| D.C. RESISTANCE | 4-5 @20°C | 1.22 ohms ±10% |
| D.C. RESISTANCE | 7-8 @20°C | 0.210 ohms ±10% |
| INDUCTANCE | 1-3 10kHz, 100mVAC, Ls | 1.50mH ±10% |
| SATURATION CURRENT | 20% rolloff from initial | 650mA |
| LEAKAGE INDUCTANCE | 1-3 tie(4+5, 7+8), 100kHz, 100mVAC, Ls | 22uH typ., 35uH max. |
| DIELECTRIC | 3-8 tie(1+4), 4500VAC, 1 second | 4500VAC, 1 minute |
| DIELECTRIC | 3-4 1250VAC, 1 second | 1000VAC, 1 minute |
| TURNS RATIO | (3-1):(8-7) | 4.52:1, ±1% |
| TURNS RATIO | (8-7):(4-5) | 2:1, ±1% |
| TURNS RATIO | (3-2):(2-1) | 1:1, ±1% |

GENERAL SPECIFICATIONS:

OPERATING TEMPERATURE RANGE: -40°C to +125°C including temp rise.

Designed to comply with the following requirements as defined by IEC61558-2-17:
 - Reinforced insulation for a primary circuit at a working voltage of 400VDC.



Wire insulation & RoHS status not affected by wire color.
 Wire insulation color may vary depending on availability.

| | | | | | | |
|------|-------|--|----------------------|--|-------------------------------------|------------------------------|
| REV. | DATE | Packaging Specifications Method: Tray PKG-0735 www.we-online.com/midcom | | Tolerances unless otherwise specified: Angles: ±1° Decimals: ±.005 [.13] Fractions: ±1/64 Footprint: ±.001 [.03] | DRAWING TITLE TRANSFORMER | PART NO. 750811048 |
| 6A | 11/10 | SEE REVISION SHEET FOR REVISION LEVEL | CONVENTION PLACEMENT | This drawing is dual dimensioned. Dimensions in brackets are in millimeters. | eiSos p/n: 750811048 | SPECIFICATION SHEET 1 OF 1 |