

# LED Heat Sink R87-60

**This LED Heatsink is part of the Aavid scalable LED portfolio.**

**Future proof** – Designed with the rapidly evolving light engine industry in mind, thermal performance can be easily increased or decreased without a luminaire redesign by adding or removing a SynJet Cooler

**Flexibility** – Configure to order luminaire production process, use heat sinks for low lumen applications and the SynJet Cooler with heat sink for higher lumen versions

**Freedom** – Compatible with most major light engines so thermal solutions and mechanical interfaces do not have to be redesigned when changing light engines

**Fast** – In stock and ready for overnight delivery, worldwide



## Specifications

### Thermal<sup>1</sup>

| Thermal Wattage | Heatsink $\Theta_{s-a}$ <sup>2</sup> | Heat Sink $T_{Rise}$ Above Ambient |
|-----------------|--------------------------------------|------------------------------------|
| 10 W            | 2.3 (°C/W)                           | 23 (°C)                            |
| 18 W            | 2.0 (°C/W)                           | 36 (°C)                            |
| 26 W            | 1.9 (°C/W)                           | 49 (°C)                            |

### Mechanical

|                   |                      |
|-------------------|----------------------|
| <b>Material</b>   | 6063-T5 Al Extrusion |
| <b>Finish</b>     | Black Anodized       |
| <b>Weight</b>     | 235g                 |
| <b>Regulatory</b> | RoHS                 |

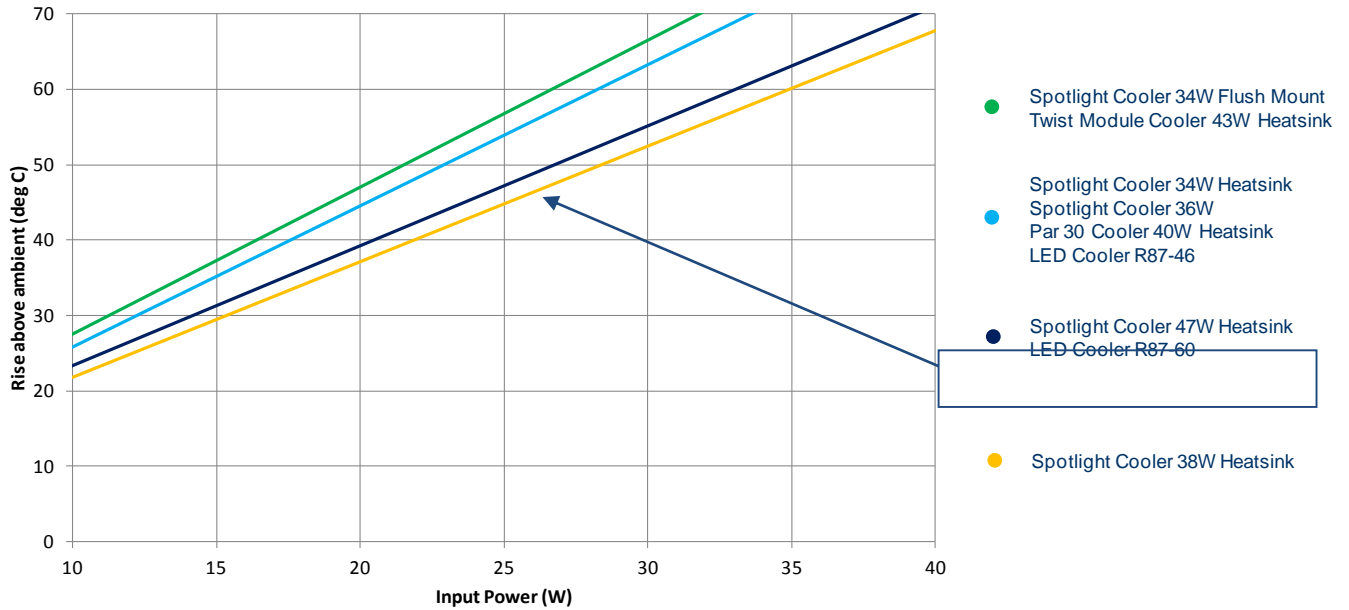
| Size            |
|-----------------|
| Diameter: 87 mm |
| Height: 60 mm   |

**The chart below summarizes the thermal performance of all round LED heatsink solutions with diameters from 75 to 100 mm.**

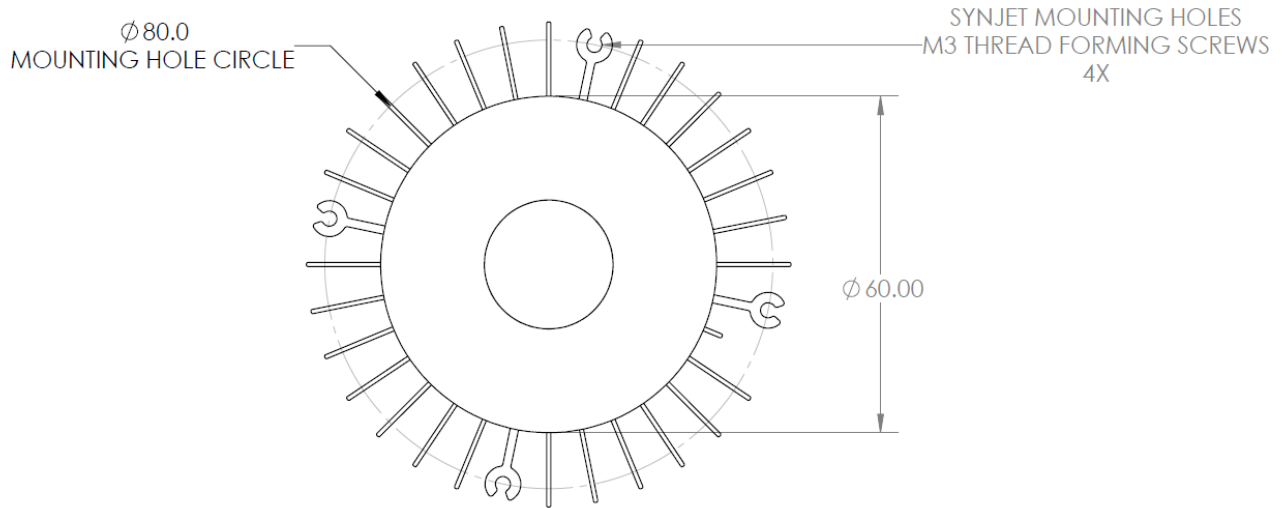
<sup>1</sup> All values are typical at 25°C unless otherwise stated.

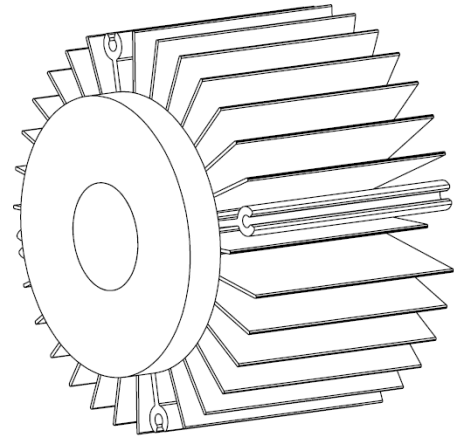
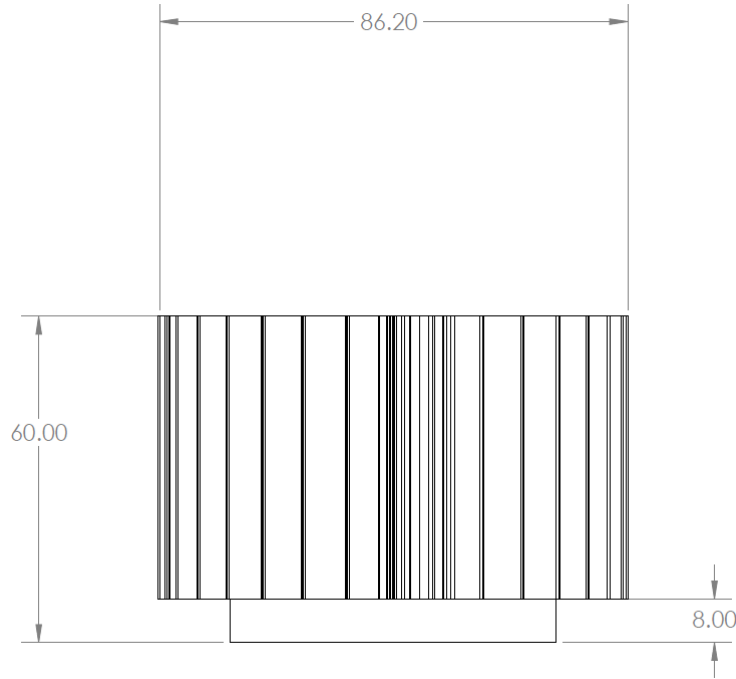
<sup>2</sup> Thermal resistance values are given as reference only and are measured in free air without airflow obstructions. Thermal resistance is measured from the bottom middle of the heat sink to ambient air, with a heat source at least 4.1cm<sup>2</sup>. Actual thermal performance may vary by application and final product design should be tested to assure proper thermal performance.

**Rise Above Ambient vs. Input Power**  
**Heatsinks 100mm or Less in Diameter**



**Mechanical – LED Heatsink shown with Configurable heat sink**





All dimensions are nominal and in mm unless otherwise stated. See product drawings for more detail.

### Part Numbers

| Part Number | Description  | Notes                                    |
|-------------|--|--|
| NX301105    | Heatsink, R87-60, Xicato XSM M3, Vossloh Schwabe Luga Shop, Black        | Contact sales for other heatsink options |
| NX301106    | Heatsink, R87-60, Citizen CLL030, CLL050, Ledil, Black                   | Contact sales for other heatsink options |
| NX301107    | Heatsink, R87-60, Osram Soleriq, Ledil, Sharp Megazenigata, Molex, Black | Contact sales for other heatsink options |
| NX301108    | Heatsink, R87-60, Philips Luxeon K, Black                                | Contact sales for other heatsink options |
| NX301114    | Heatsink, R87-60, Config, Black  | Contact sales for other heatsink options |
| NX301115    | Heatsink, R87-60, Bridgelux, Vero 13/18, Vero 10, Black                  | Contact sales for other heatsink options |
| NX301117    | Heatsink, R87-60, Bridgelux Vero 29, RS, Black                           | Contact sales for other heatsink options |

Aavid reserves the right to make changes to the products or information contained herein without notice. No liability is assumed as a result of their use or applications. For additional information, please contact Aavid directly.