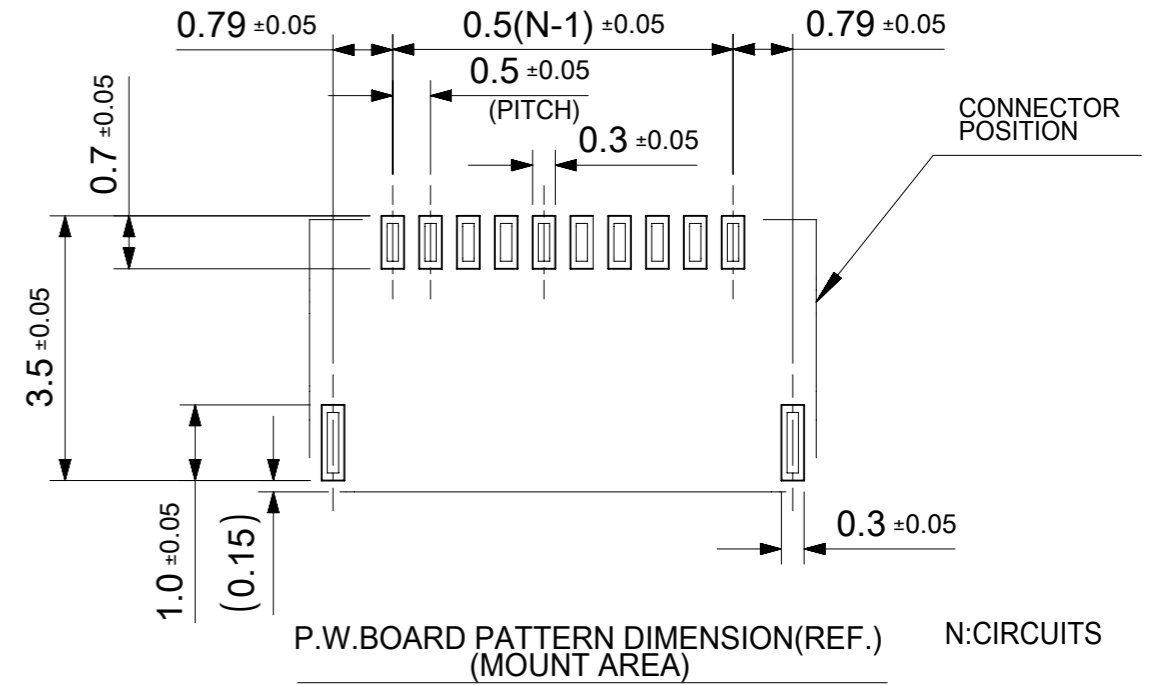
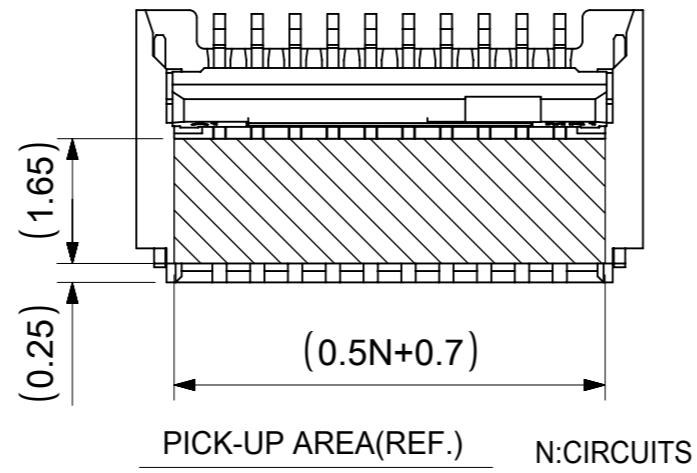
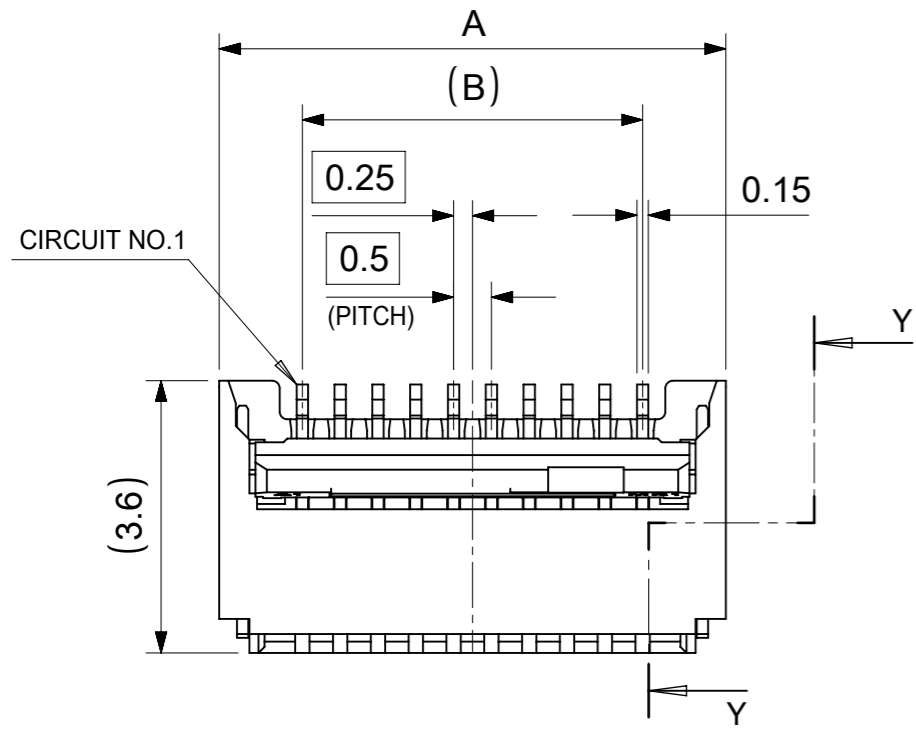
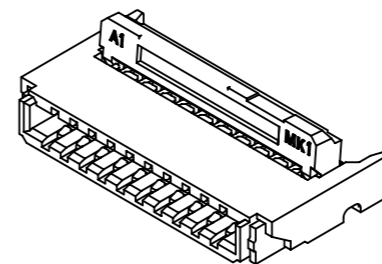
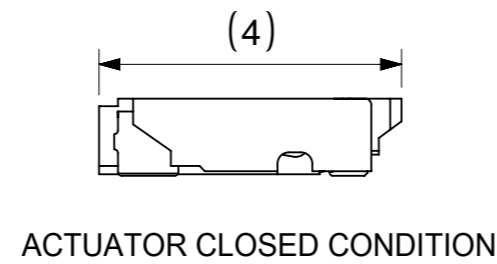
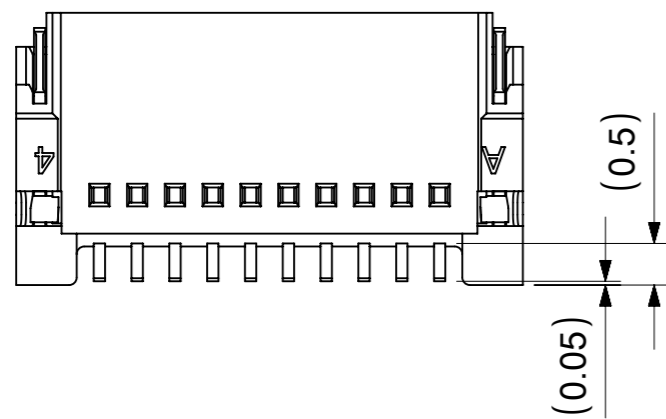
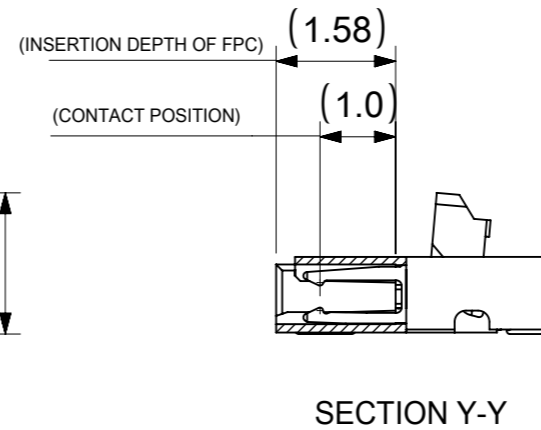
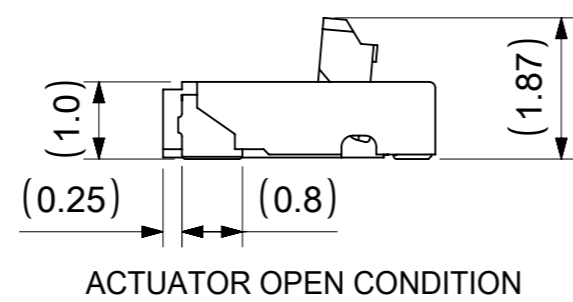
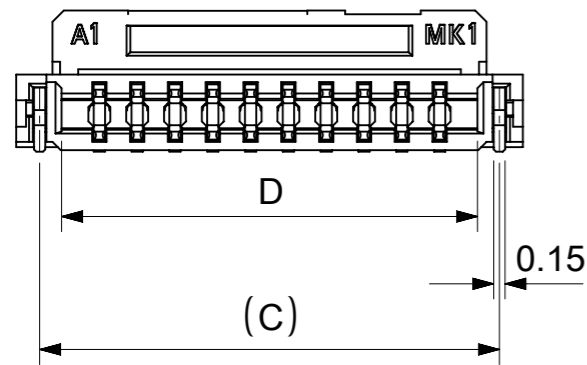


CIRCUIT NO.1



METAL MASK THICKNESS : 0.1mm
 OPENING AREA : TERM.(0.7X0.3)
 NAIL(1.0X0.3)



20.5	21.08	19.5	21.7	503480-4000	40
19.5	20.08	18.5	20.7	503480-3800	38
18.5	19.08	17.5	19.7	503480-3600	36
17.5	18.08	16.5	18.7	503480-3400	34
16.5	17.08	15.5	17.7	503480-3200	32
15.5	16.08	14.5	16.7	503480-3000	30
14.5	15.08	13.5	15.7	503480-2800	28
13.5	14.08	12.5	14.7	503480-2600	26
12.5	13.08	11.5	13.7	503480-2400	24
11.5	12.08	10.5	12.7	503480-2200	22
10.5	11.08	9.5	11.7	503480-2000	20
9.5	10.08	8.5	10.7	503480-1800	18
9.0	9.58	8.0	10.2	503480-1700	17
8.5	9.08	7.5	9.7	503480-1600	16
7.5	8.08	6.5	8.7	503480-1400	14
6.5	7.08	5.5	7.7	503480-1200	12
5.5	6.08	4.5	6.7	503480-1000	10
4.5	5.08	3.5	5.7	503480-0800	8
3.5	4.08	2.5	4.7	503480-0600	6
3.0	3.58	2.0	4.2	503480-0500	5
2.5	3.08	1.5	3.7	503480-0400	4
D	C	B	A	EMBOSSED PACKAGE ORDER NO.	CIRCUIT

CONNECTOR SERIES No. 503480-**09

FUNCTIONAL SYMBOLS ▽A = 0 ▽E = 0 ▽P = 0	THIS DRAWING CONTAINS INFORMATION THAT IS PROPRIETARY TO MOLEX ELECTRONIC TECHNOLOGIES, LLC AND SHOULD NOT BE USED WITHOUT WRITTEN PERMISSION	SCALE 10:1	CURRENT REV DESC:			
	GENERAL TOLERANCES (UNLESS SPECIFIED) ANGULAR TOL ± 1.0° 4 PLACES ± 0.2 3 PLACES ± 0.2 2 PLACES ± 0.2 1 PLACE ± 0.2 0 PLACES ± 0.2	EC NO: 676145 DRWN: ICYANG CHK'D: SHCHU APPR: SHCHU	2021/07/21 2021/09/02 2021/09/02	<p>0.5 FPC CONN. E/O BACKFLIP H=1.0MM ASSEMBLY</p> <p>PRODUCT CUSTOMER DRAWING</p>		
DIVISIONAL SYMBOLS	INITIAL REVISION: DRWN: THIRAYAMA APPR: KMORIKAWA	2009/12/11 2009/12/14	DOCUMENT NUMBER SD-503480-001			
DRAFT WHERE APPLICABLE MUST REMAIN WITHIN DIMENSIONS	THIRD ANGLE PROJECTION	DRAWING A3-SIZE	SERIES 503480	MATERIAL NUMBER SEE TABLE	CUSTOMER GENERAL MARKET	SHEET NUMBER 1 OF 2

NOTES

1. PART COMPOSITION

HOUSING MATERIAL: LIQUID CRYSTAL POLYMER(LCP), GLASS FILLED, UL94V-0, NATURAL(WHITE)

TERMINAL MATERIAL: PHOSPHOR BRONZE

CONTACT AREA : SEPARATED GOLD PLATING (0.1 MICROMETER MINIMUM)

SOLDER TAIL AREA : SEPARATED GOLD PLATING

UNDERPLATE : NICKEL OVERALL (1.0 MICROMETER MINIMUM)

ACTUATOR MATERIAL : POLYAMIDE(PA), GLASS FILLED, UL94 HB, BLACK

NAIL MATERIAL: PHOSPHOR BRONZE

SOLDER TAIL AREA : TIN OVERALL(1.0 MICROMETER MINIMUM)
UNDERPLATE : NICKEL OVERALL(1.0 MICROMETER MINIMUM)

2. PLEASE DO NOT OPERATE THE ACTUATOR BEFORE MOUNTING.

3. PLEASE OPERATE THE ACTUATOR AFTER INSERTING THE FPC INTO THE CONNECTOR.

4. ABOUT FPC

RECOMMENDED STIFFENER MATERIAL: POLYIMIDE
RECOMMENDED BASE FILM THICKNESS: 25 MICROMETER
RECOMMENDED ADHESIVE: THERMOSETTING ADHESIVE
NOTE: PLEASE PUT APPROPRIATE AMOUNT OF ADHESIVE ON ADHEREND BECAUSE THERE IS A POSSIBILITY THAT THE EXTRA ADHESIVE CAUSES THE DEFECT IN ELECTRICAL CONTINUITY.

RECOMMENDED PUNCHER DIRECTION:
FROM CONDUCTOR SIDE TO STIFFENER FILM SIDE.
RECOMMENDED CONDUCTOR SPECIFICATION:
THICKNESS OF SOFT COPPER FOIL: 35MICROMETER

5. R0.3 MUST NOT BE OVERLAPPED TO PATTERN OF FPC.

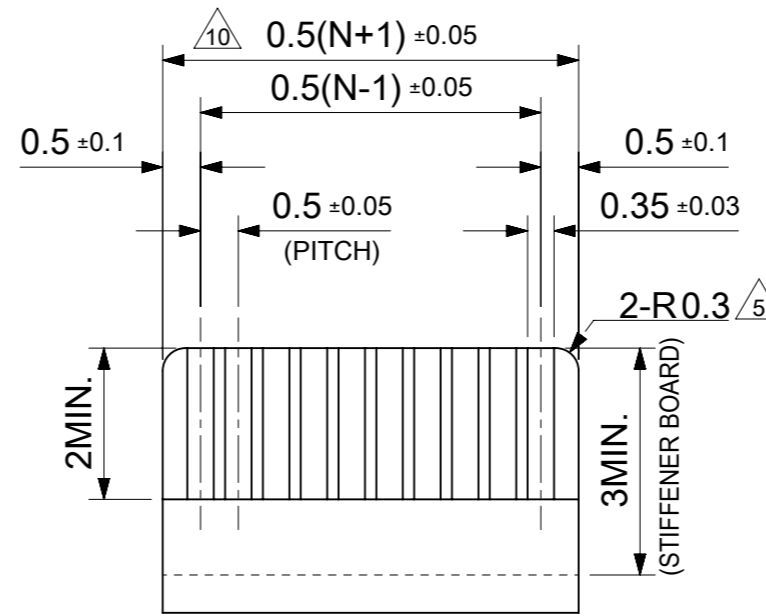
6. COPLANARITY : 0.1 MAXIMUM

7. PLEASE RECOGNIZE A POSSIBILITY TO CHANGE THE SHAPE OF THE PART THAT DOES NOT OBSTRUCT A FUNCTION, BY CIRCUMSTANCES IN OUR PRODUCTION.

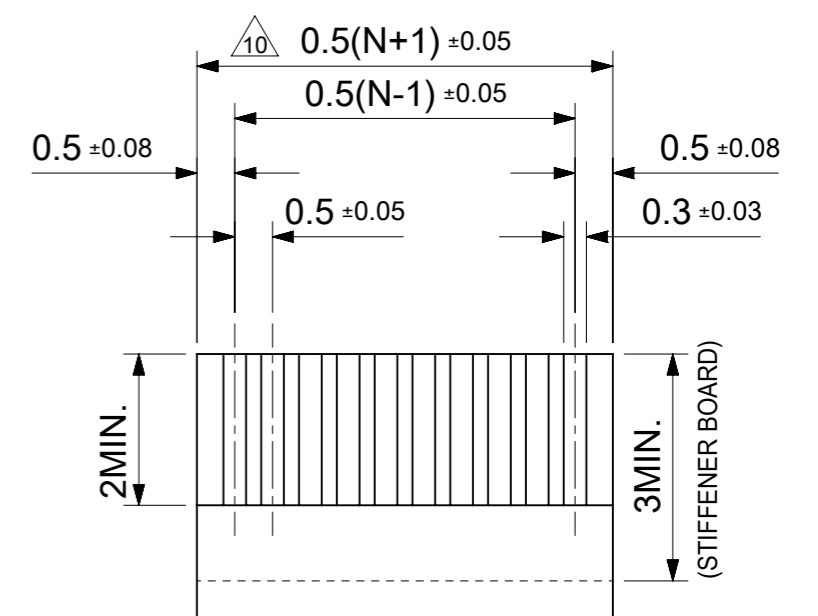
8. THIS PRODUCT IS DELIVERED WITH THE ACTUATOR IN THE OPEN POSITION.

9. THIS PRODUCT IS DUAL-CONTACT (TOP- AND BOTTOM-CONTACTS) TYPE CONNECTOR.

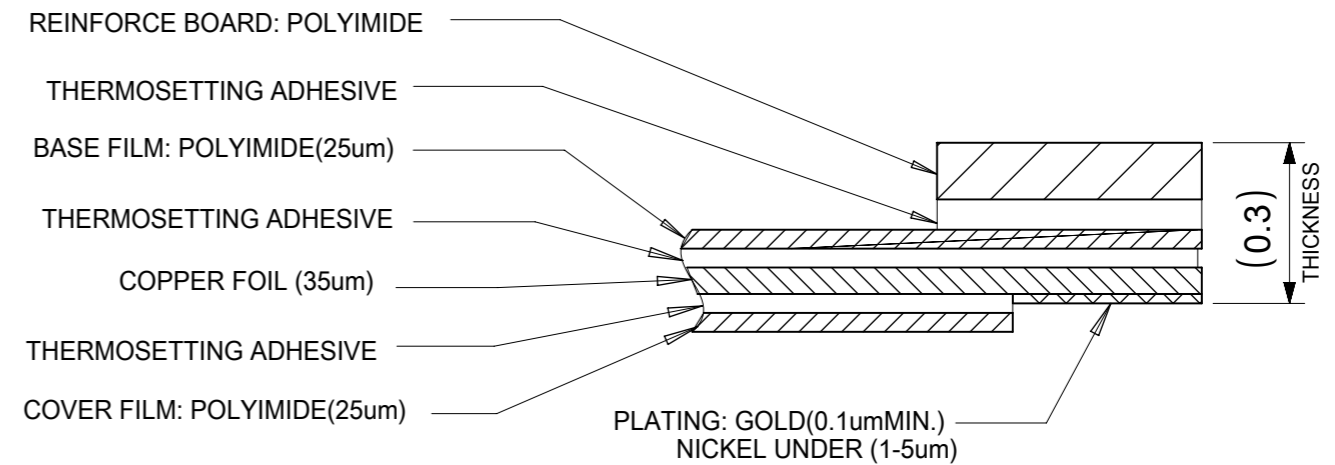
10. PLEASE CONFIRM TO INSERT FPC IN ADVANCE WHEN FPC WIDTH IS OVER $0.5(N+1)+0.02$.



APPLICABLE FPC RECOMMENDED DIMENSION N: CIRCUITS
(THICKNESS : 0.3±0.05) : 30 OR LESS CIRCUITS
(THICKNESS : 0.3±0.03) : 31 OR OVER CIRCUITS

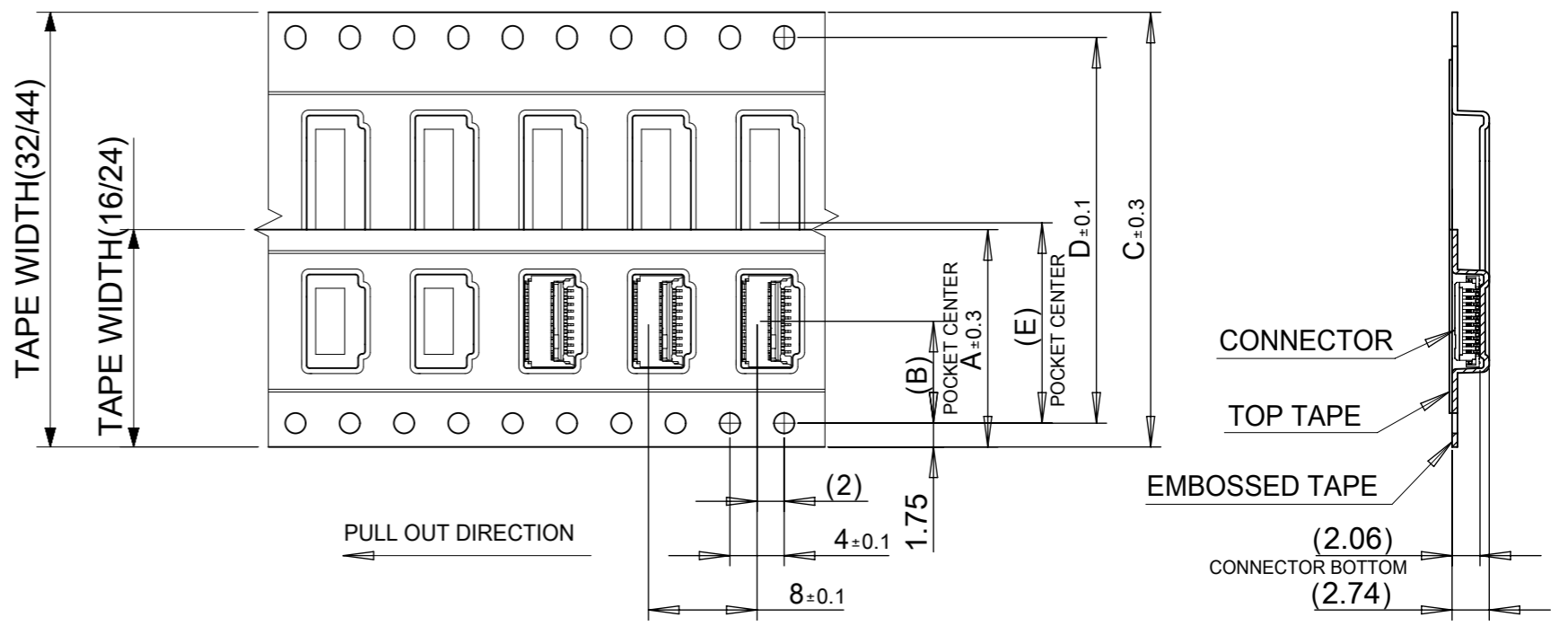
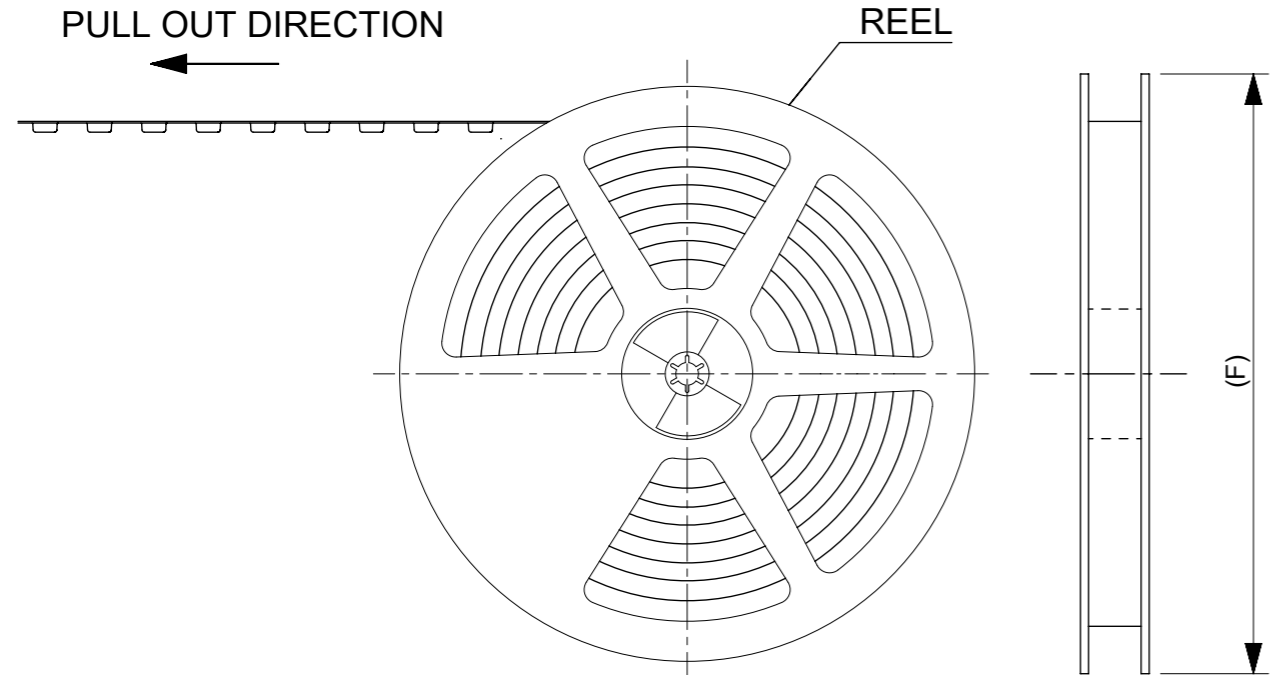


APPLICABLE FFC RECOMMENDED DIMENSION N: CIRCUITS



STRUCTURE OF FPC

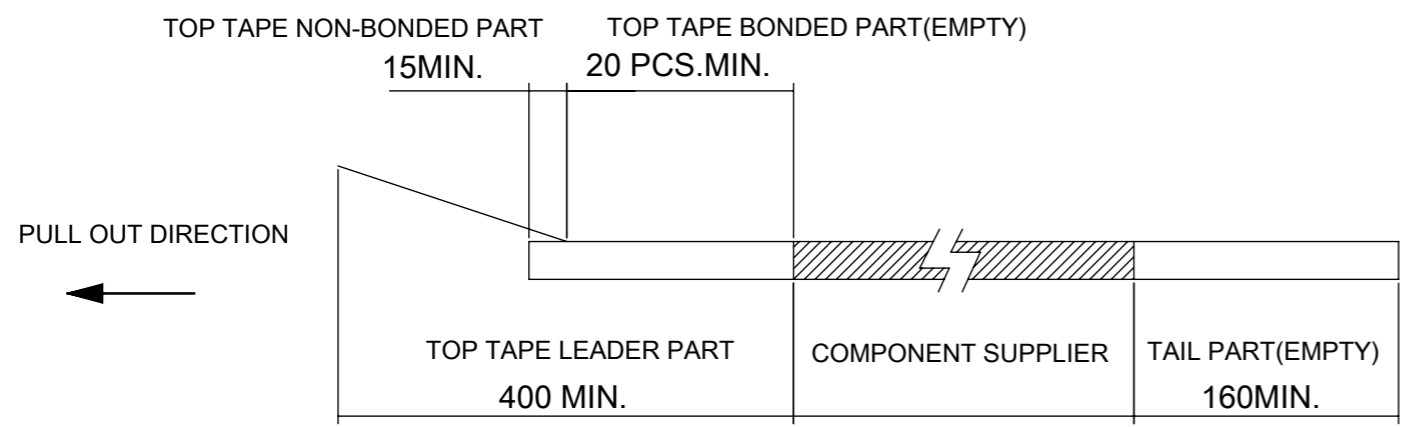
FUNCTIONAL SYMBOLS	THIS DRAWING CONTAINS INFORMATION THAT IS PROPRIETARY TO MOLEX ELECTRONIC TECHNOLOGIES, LLC AND SHOULD NOT BE USED WITHOUT WRITTEN PERMISSION	CURRENT REV DESC:																												
	<table border="1"> <tr> <th>FUNCTIONAL SYMBOLS</th> <th>DIMENSION UNITS</th> <th>SCALE</th> </tr> <tr> <td>$\nabla_A = 0$</td> <td>mm</td> <td>10:1</td> </tr> <tr> <td colspan="3">GENERAL TOLERANCES (UNLESS SPECIFIED)</td> </tr> <tr> <td>$\nabla_E = 0$</td> <td colspan="2">ANGULAR TOL ± 1.0°</td> </tr> <tr> <td>$\nabla_F = 0$</td> <td>4 PLACES</td> <td>± 0.2</td> </tr> <tr> <td rowspan="4">DIVISIONAL SYMBOLS</td> <td>3 PLACES</td> <td>± 0.2</td> </tr> <tr> <td>2 PLACES</td> <td>± 0.2</td> </tr> <tr> <td>1 PLACE</td> <td>± 0.2</td> </tr> <tr> <td>0 PLACES</td> <td>± 0.2</td> </tr> </table>	FUNCTIONAL SYMBOLS	DIMENSION UNITS					SCALE	$\nabla_A = 0$	mm	10:1	GENERAL TOLERANCES (UNLESS SPECIFIED)			$\nabla_E = 0$	ANGULAR TOL ± 1.0°		$\nabla_F = 0$	4 PLACES	± 0.2	DIVISIONAL SYMBOLS	3 PLACES	± 0.2	2 PLACES	± 0.2	1 PLACE	± 0.2	0 PLACES	± 0.2	EC NO: 676145 DRWN: ICYANG 2021/07/21 CHK'D: SHCHU 2021/09/02 APPR: SHCHU 2021/09/02
FUNCTIONAL SYMBOLS	DIMENSION UNITS	SCALE																												
$\nabla_A = 0$	mm	10:1																												
GENERAL TOLERANCES (UNLESS SPECIFIED)																														
$\nabla_E = 0$	ANGULAR TOL ± 1.0°																													
$\nabla_F = 0$	4 PLACES	± 0.2																												
DIVISIONAL SYMBOLS	3 PLACES	± 0.2																												
	2 PLACES	± 0.2																												
	1 PLACE	± 0.2																												
	0 PLACES	± 0.2																												
PRODUCT CUSTOMER DRAWING				DOCUMENT NUMBER: SD-503480-001 DOC TYPE: PSD DOC PART: 001 REVISION: H2																										
DRAFT WHERE APPLICABLE MUST REMAIN WITHIN DIMENSIONS		THIRD ANGLE PROJECTION	DRAWING: A3-SIZE	SERIES: 503480	MATERIAL NUMBER: SEE TABLE	CUSTOMER: GENERAL MARKET	SHEET NUMBER: 2 OF 2																							



DIRECTION OF CONNECTOR IN EMBOSSSED TAPE

NOTES

1. IN THE PACKAGE, PART NO.503480-**09 DETAILED DIMENSIONS. REFER TO SD-503480-001
2. NUMBER OF CONNECTORS : 3000PCS/REEL
3. LEAD TAPE LENGTH



4. MATERIAL
 CARRIER TAPE : PET
 TOP TAPE : PET,OTHER
 REEL : PS (RECYCLE MATERIAL CONTAINED)
5. COVER TAPE PEEL FORCE IS DEFINED BY IEC60286-3.

F	E	D	C	B	A	TAPE WIDTH	ORDER NO.	CIRCUIT
380	20.2	40.4	44	-	-	44	503480-4000	(E1) 40
							503480-3800	(E1) 38
							503480-3600	(E1) 36
							503480-3400	(E1) 34
330	14.2	28.4	32	-	-	32	503480-3200	32
							503480-3000	(E1) 30
380	-	-	-	11.5	24	24	503480-2800	(E1) 28
							503480-2600	26
							503480-2400	24
							503480-2200	22
							503480-2000	20
							503480-1800	18
							503480-1700	17
							503480-1600	16
							503480-1400	14
							503480-1200	12
330	-	-	-	7.5	16	16	503480-1000	10
							503480-0800	8
							503480-0600	6
							503480-0500	5
							503480-0400	4

(E2)	10 UNDER : ±0.20
	10 OVER 30 UNDER : ±0.25
	30 OVER : ±0.30

FUNCTIONAL SYMBOLS	THIS DRAWING CONTAINS INFORMATION THAT IS PROPRIETARY TO MOLEX ELECTRONIC TECHNOLOGIES, LLC AND SHOULD NOT BE USED WITHOUT WRITTEN PERMISSION	SCALE	CURRENT REV DESC:	
▽A = 0	DIMENSION UNITS	mm	EC NO: 676145	
▽E = 0	SCALE	NTS	DRWN: ICYANG 2021/07/21	
▽F = 0	GENERAL TOLERANCES (UNLESS SPECIFIED)		CHK'D: SHCHU 2021/09/02	
▽G = 0	ANGULAR TOL ± 3.0°		APPR: SHCHU 2021/09/02	
DIVISIONAL SYMBOLS	4 PLACES ±		INITIAL REVISION:	
	3 PLACES ±		DRWN: THIRAYAMA 2009/12/11	
	2 PLACES ±		APPR: KMORIKAWA 2009/12/14	
	1 PLACE ±		DOCUMENT NUMBER	
	0 PLACES ±		SD-503480-002	
DRAFT WHERE APPLICABLE MUST REMAIN WITHIN DIMENSIONS		THIRD ANGLE PROJECTION	DRAWING	SHEET NUMBER
			A3-SIZE	503480
			MATERIAL NUMBER	CUSTOMER
			SEE TABLE	GENERAL MARKET
			DOC TYPE	DOC PART
			PSD	001
			REVISION	E2