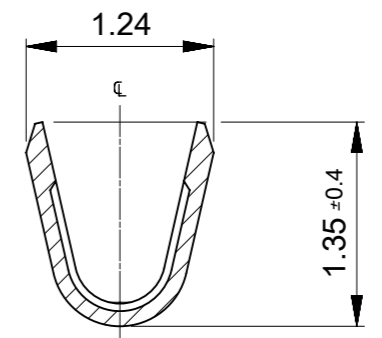
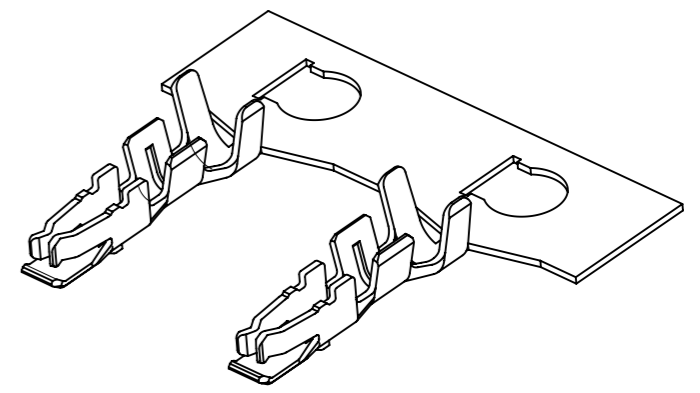
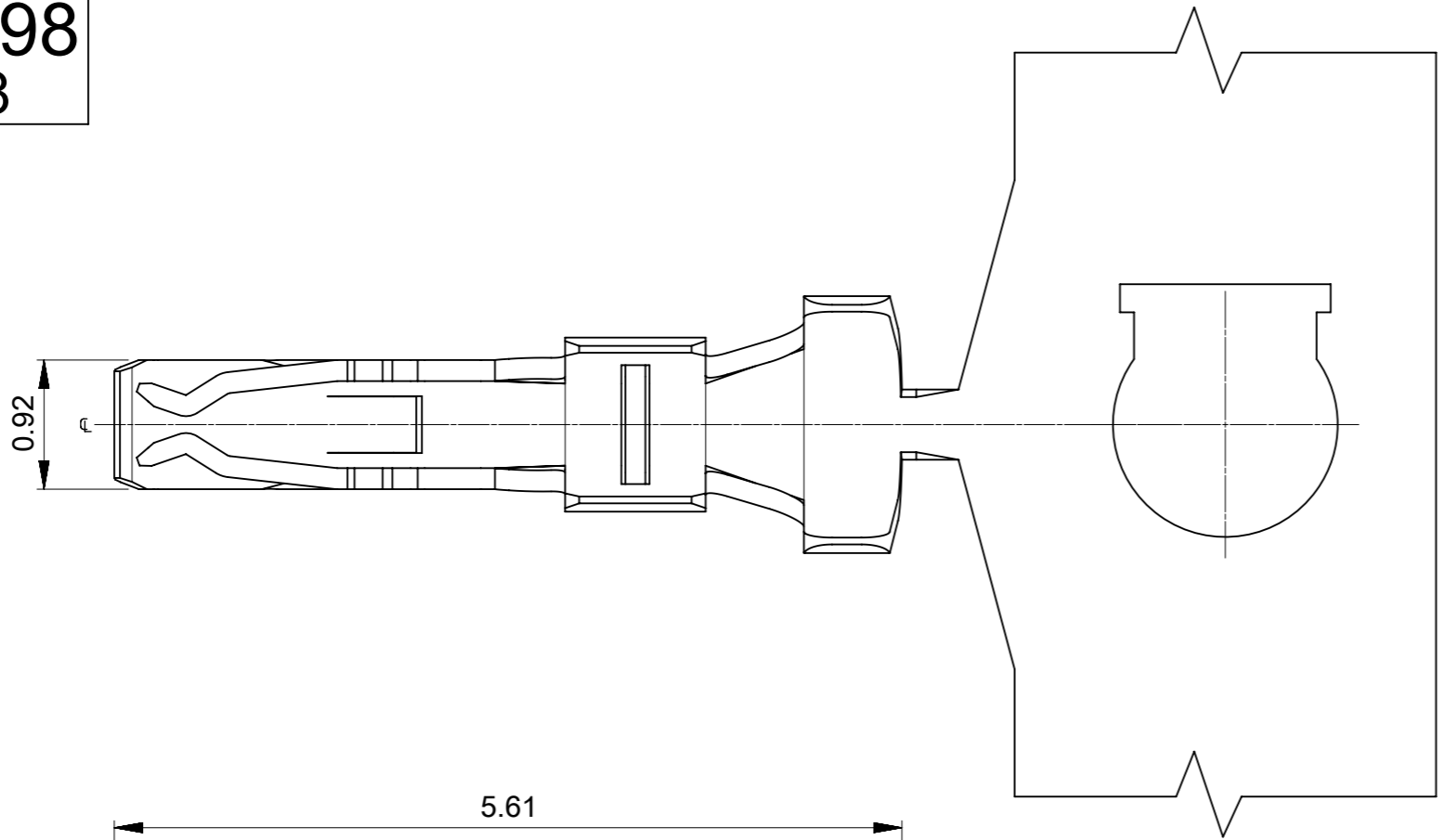
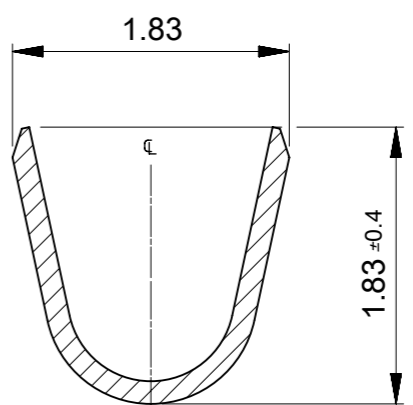


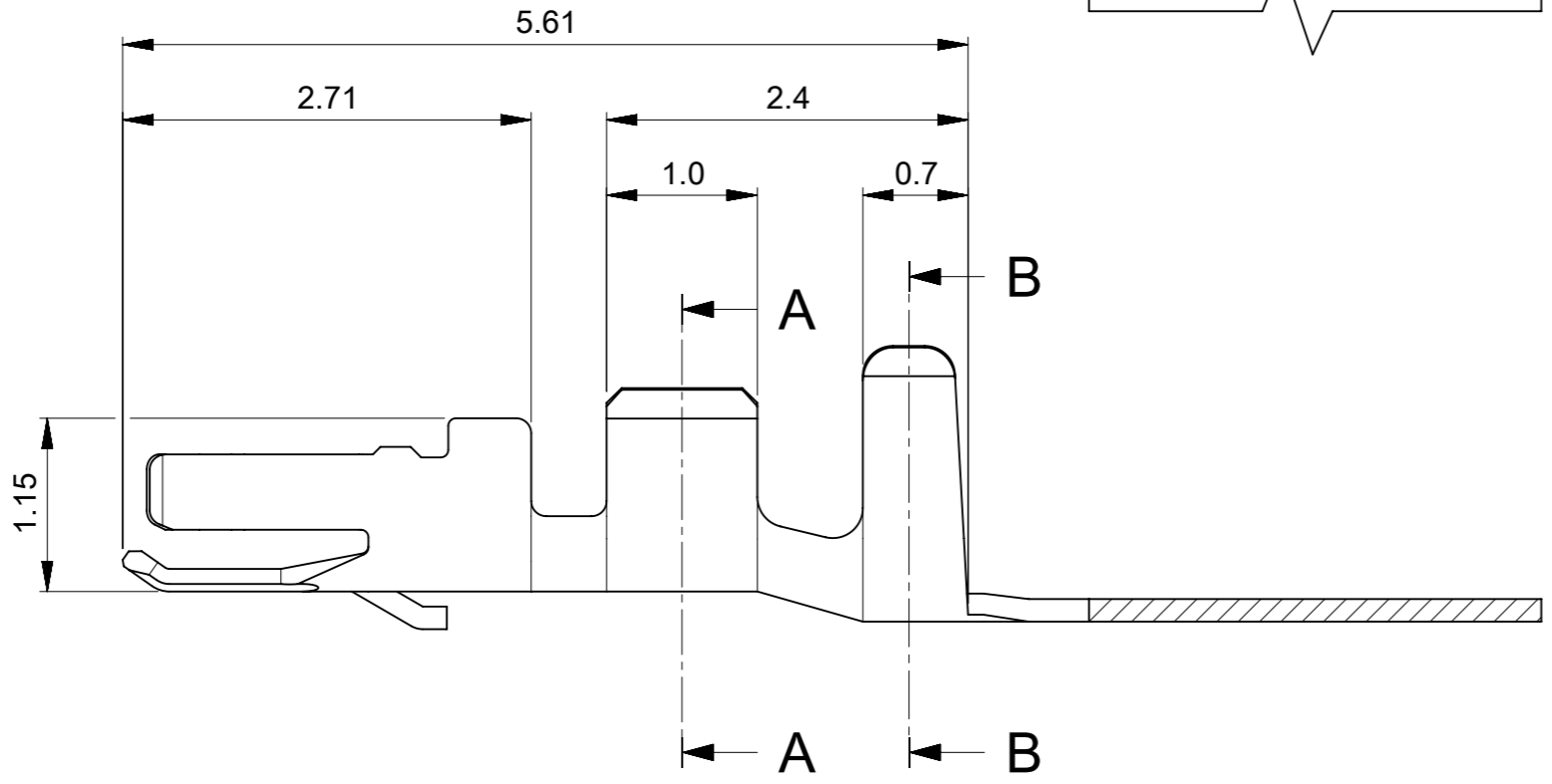
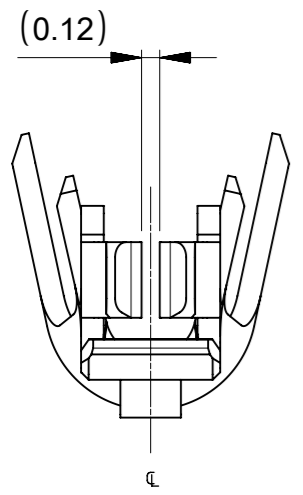
5040520098
AWG #24-28



SECTION A-A



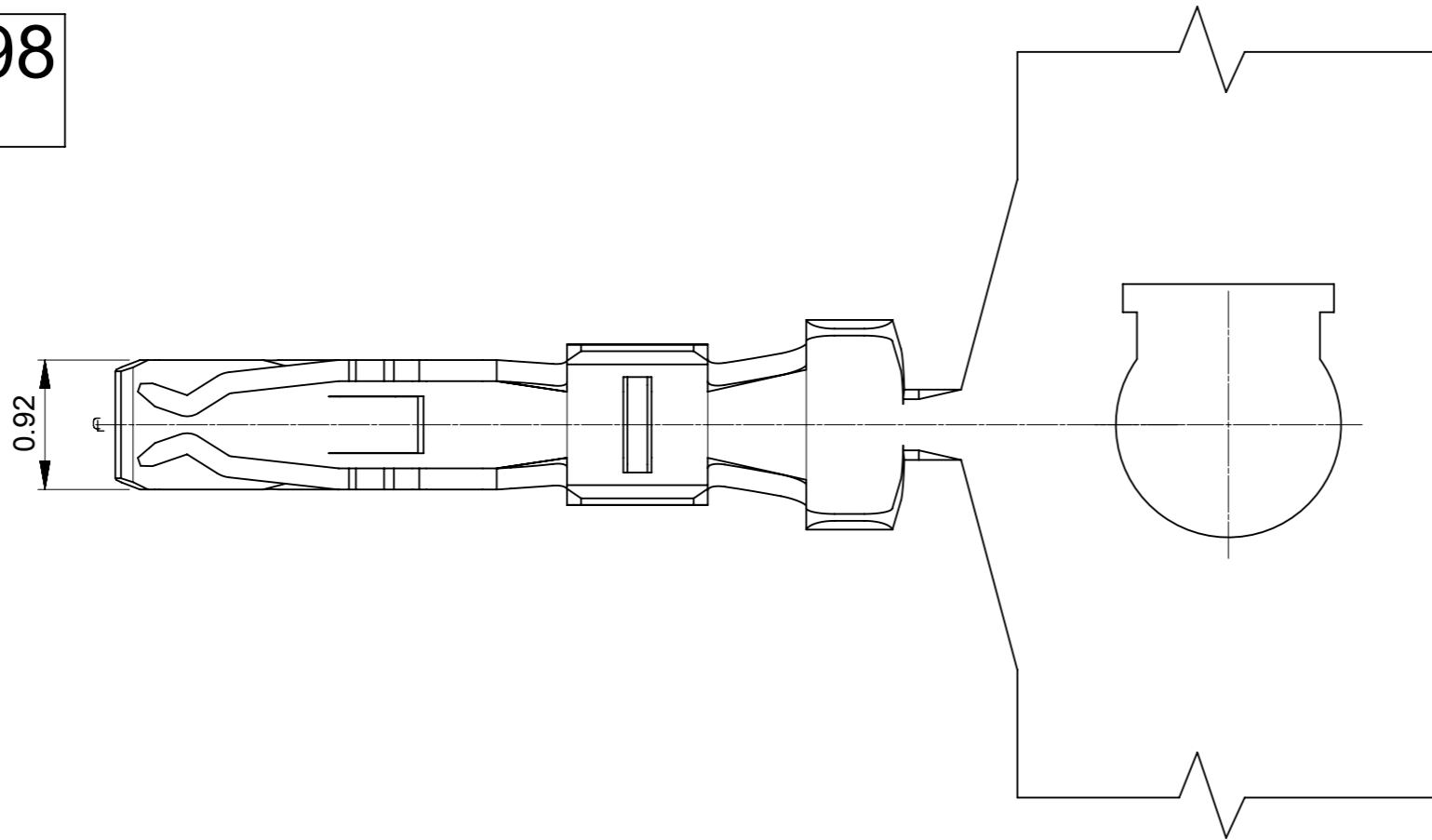
SECTION B-B



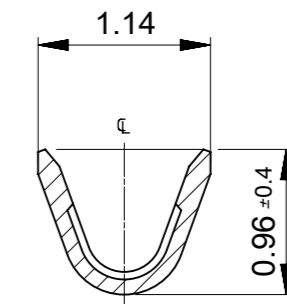
Φ0.8-1.15 mm	AWG #24-28	5040520098	CHAIN
Φ0.54-0.8 mm	AWG #30-32	5040520298	
INS. RANGE	WIRE RANGE	ORDER NO.	FORM
梱包状態 : リール PACKAGING : REEL			

THIS DRAWING CONTAINS INFORMATION THAT IS PROPRIETARY TO MOLEX ELECTRONIC TECHNOLOGIES, LLC AND SHOULD NOT BE USED WITHOUT WRITTEN PERMISSION																	
DIMENSION UNITS	SCALE	CURRENT REV DESC: REDRAWN AND REVISED															
mm	NTS	<div style="text-align: center; font-size: 24pt; font-weight: bold;">molex</div> <p>PICO-LOCK1.5 REC CRIMP TERM AWG#24-32</p> <p>PRODUCT CUSTOMER DRAWING</p>															
GENERAL TOLERANCES (UNLESS SPECIFIED)																	
ANGULAR TOL	± 3.0 °																
4 PLACES	± 0.2																
3 PLACES	± 0.2																
2 PLACES	± 0.2																
1 PLACE	± 0.2	EC NO: 612189	2018/03/14	<table border="1" style="width: 100%;"> <tr> <td>DOCUMENT NUMBER</td> <td>DOC TYPE</td> <td>DOC PART</td> <td>REVISION</td> </tr> <tr> <td>5040520000-SD</td> <td>PSD</td> <td>000</td> <td>A</td> </tr> </table>						DOCUMENT NUMBER	DOC TYPE	DOC PART	REVISION	5040520000-SD	PSD	000	A
DOCUMENT NUMBER	DOC TYPE	DOC PART	REVISION														
5040520000-SD	PSD	000	A														
0 PLACES	± 0.2	DRWN: QHE31	2018/03/14														
DRAFT WHERE APPLICABLE MUST REMAIN WITHIN DIMENSIONS		THIRD ANGLE PROJECTION	DRAWING	SERIES	MATERIAL NUMBER	CUSTOMER	SHEET NUMBER										
			A3-SIZE	504052	SEE CHART		1 OF 2										

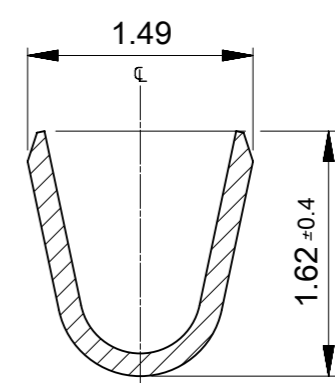
5040520298
AWG #30-32



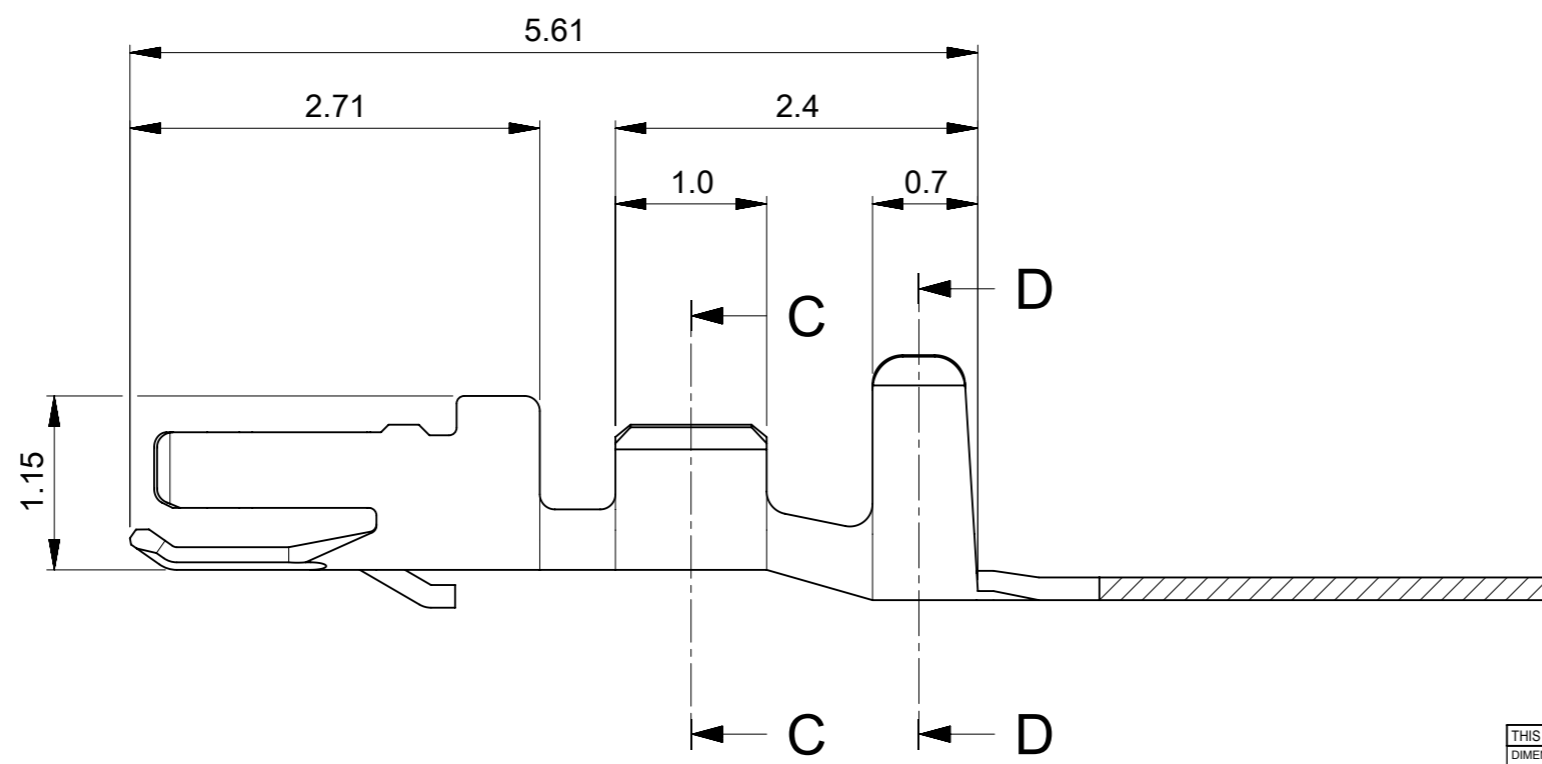
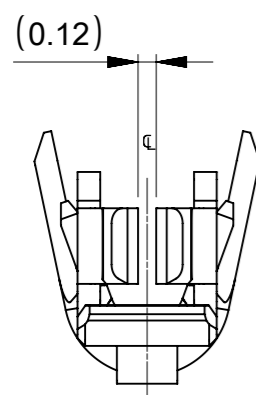
- NOTES .
1. 適合ハウジング : 5 0 4 0 5 1 * * * *
APPLICABLE HOUSING : 504051****
 2. 材質 : 銅合金
MATERIAL : COPPER ALLOY
 3. めっき仕様 : 金めっき 0.1micro-meter MIN.,
ニッケル下地 1.0micro-meter MIN.
PLATING : GOLD PLATING 0.1micro-meter MIN.
NICKEL UNDER PLATING 1.0micro-meter MIN.
 4. 製品仕様及び取扱いについては、製品仕様書PS-504051-001
及びコネクタ取扱説明書AS-504051-001を参照願います。
PLEASE REFER TO PRODUCT SPECIFICATION
PS-504051-001 AND APPLICATION
SPECIFICATION AS-504051-001.
 5. 梱包仕様書 : SPK-504052-001.
PACKING INFORMATION SPK-504052-001.



SECTION C-C



SECTION D-D



THIS DRAWING CONTAINS INFORMATION THAT IS PROPRIETARY TO MOLEX ELECTRONIC TECHNOLOGIES, LLC AND SHOULD NOT BE USED WITHOUT WRITTEN PERMISSION									
DIMENSION UNITS		SCALE		CURRENT REV DESC: REDRAWN AND REVISED				molex	
mm		NTS							
GENERAL TOLERANCES (UNLESS SPECIFIED)									
ANGULAR TOL		± 3.0 °		EC NO: 612189		PICO-LOCK1.5 REC CRIMP TERM AWG#24-32			
4 PLACES		± 0.2		DRWN: QHE31 2018/03/14					
3 PLACES		± 0.2		CHK'D: SAKIYAMA 2019/02/18					
2 PLACES		± 0.2		APPR: KOMURAKAMI 2019/02/18		PRODUCT CUSTOMER DRAWING			
1 PLACE		± 0.2		INITIAL REVISION:		DOCUMENT NUMBER			
0 PLACES		± 0.2		DRWN: QHE31 2018/03/14		5040520000-SD		DOC TYPE	
				APPR: KOMURAKAMI 2019/02/18		PSD		DOC PART	
DRAFT WHERE APPLICABLE MUST REMAIN WITHIN DIMENSIONS		THIRD ANGLE PROJECTION		DRAWING		SERIES		MATERIAL NUMBER	
		A3-SIZE		504052		SEE CHART		CUSTOMER	
								REVISION	
								A	
								SHEET NUMBER	
								2 OF 2	