

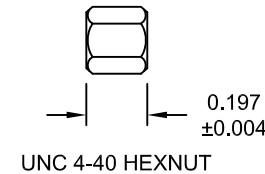
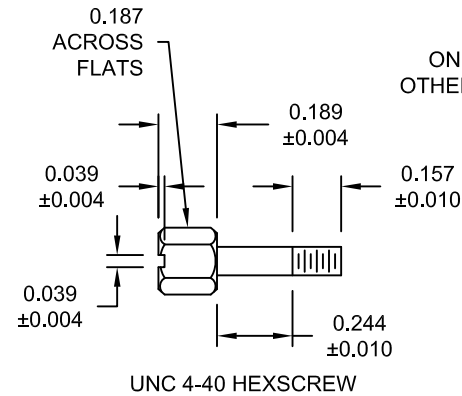
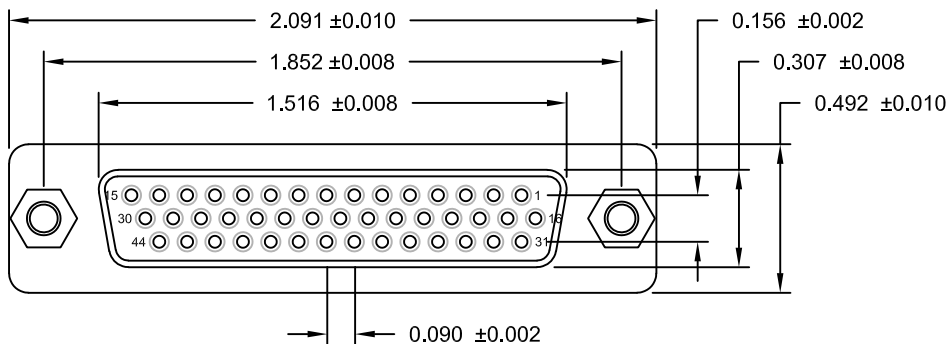
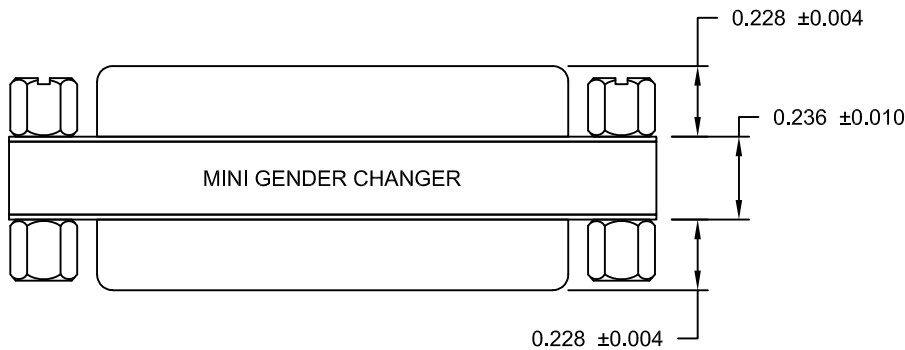
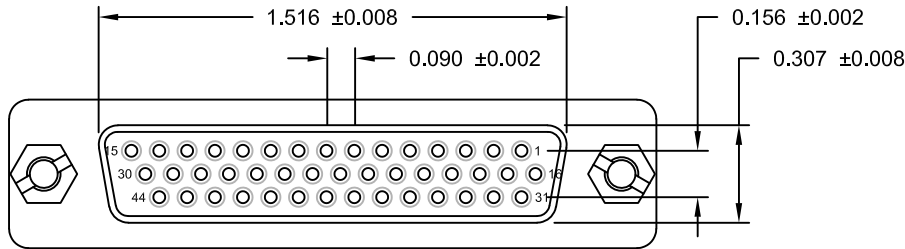
DESCRIPTION: 44-PIN FEMALE / FEMALE HIGH DENSITY GENDER CHANGER

SPECIFICATION:

INSULATOR: PBT GLASS FIBER REINFORCED UL 94V0
 CONTACT: BRASS
 CONTACT PLATING: GOLD PLATED OVER NICKEL
 SHELL: TIN PLATED SHELL
 CURRENT RATING: 3 AMP
 DIELECTRIC STRENGTH: 1,000VAC FOR 1 MINUTE
 INSULATION RESISTANCE: 1,000 MegOHMS MIN @500 VDC
 TEMPERATURE: -55° C - +105° C

NOTE:

LABEL: YELLOW COLOR WITH BLACK CHARACTORS
 ONE SIDE: MINI GENDER CHANGER
 OTHER SIDE: U.S.A. PATENT 5199906



44-PIN FEMALE		44-PIN FEMALE
1	-----	1
2	-----	2
3	-----	3
~		
43	-----	43
44	-----	44
SHELL	-----	SHELL

PIN OUT

DO NOT SCALE FROM DRAWING

RoHS COMPLIANT

	THESE DRAWINGS AND SPECIFICATIONS ARE THE PROPERTY OF NorComp AND SHALL NOT BE REPRODUCED, COPIED OR USED AS THE BASIS FOR THE MANUFACTURE OF SALE OF APPARATUS WITHOUT WRITTEN PERMISSION.		DRAWN: C. SMITH	DATE: 10-15-07
	<h1>NorComp</h1>		SCALE: NTS	SHEET 1 OF 1
DWG NO. GCHDLP44F44F				