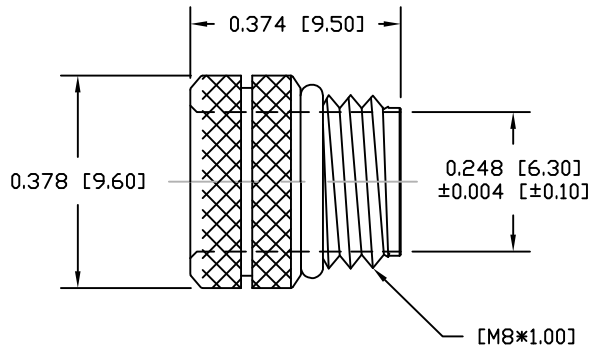


DESCRIPTION: M8 MALE - CABLE MOUNT - SOLDER CUP - 3 POS.



NOTE:

MATERIAL

HOUSING: PBT UL94V-0, BLACK
 CONTACT: BRASS
 NUT: SEE P/N KEY
 SHELL: SEE P/N KEY
 O-RING: NBR, BLACK

FINISH

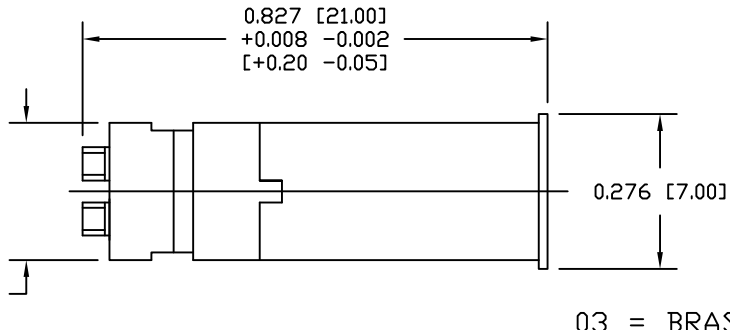
CONTACT: GOLD PLATED
 OVER 50µ" NICKEL
 NUT: SEE P/N KEY
 SHELL: SEE P/N KEY

ELECTRICAL

RATED CURRENT: 3A
 RATED VOLTAGE: 60V
 INSULATION RESISTANCE: 100 MΩhms MIN.
 CONTACT RESISTANCE: 10 mΩhms MAX.
 WATER PROOF: IP67

ENVIRONMENT

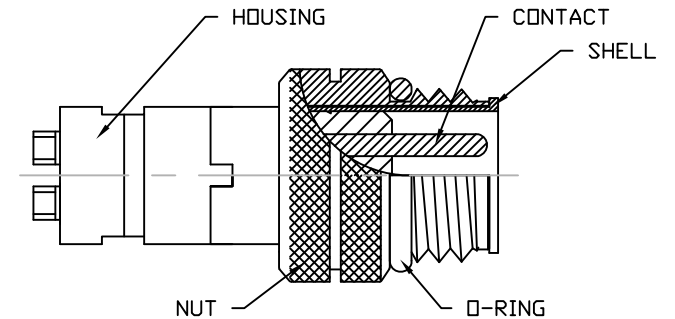
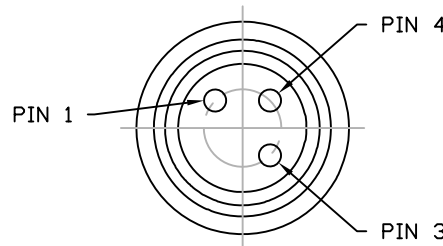
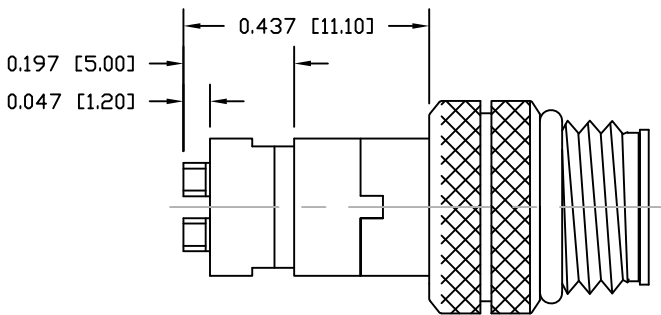
OPERATION TEMPERATURE: -40°C TO +85°C
 MAX WIRE AWG: 24



854-003-103RLSY

1 = GOLD FLASH
 4 = 10µ" GOLD

03 = BRASS/NICKEL (B/N) SHELL & NUT
 0S = (B/N) SHELL & STAINLESS STEEL NUT
 SS = STAINLESS STEEL SHELL & NUT



RoHS COMPLIANT

UNITS = INCHES [MM]

DO NOT SCALE FROM DRAWING



THESE DRAWINGS AND SPECIFICATIONS ARE THE PROPERTY OF NorComp AND SHALL NOT BE REPRODUCED, COPIED OR USED AS THE BASIS FOR THE MANUFACTURE OR SALE OF APPARATUS WITHOUT WRITTEN PERMISSION.

DRAWN:

M. SIGMON

DATE:

03-04-16

NorComp

SCALE: NTS

SHEET 1 OF 1

REV 6

DWG NO.

854-003-103RLSY