

6

5

4

3

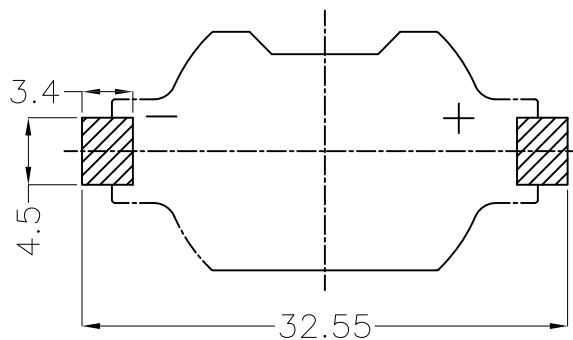
2

1

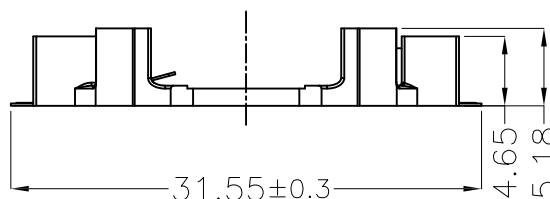
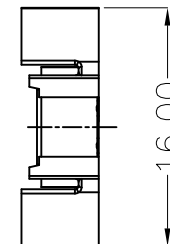
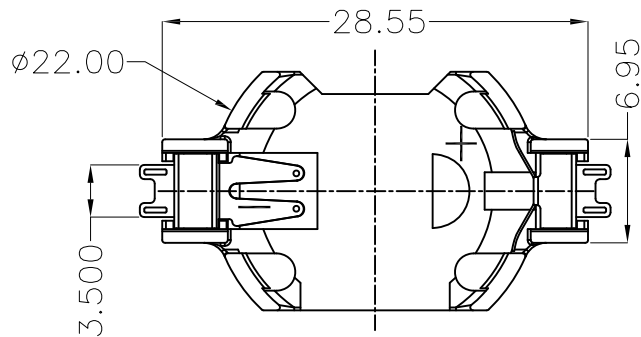
APPROVED: _____

DATE: _____ TITLE: _____

Rev	AWO #	Description	Date	Appr
-		RELEASED	3/13/20	



RECOMMENDED P.C.B LAYOUT



SPECIFICATIONS:

- Material:
- Housing: Hi-Temp Thermoplastic, rated UL94V-0
- Housing Color: White
- Contact: Phosphor Bronze, Gold Plated
- Electrical:
- Contact resistance: 30 Milliohms max
- Insulation resistance: 1,000 Megaohms ohms min
- Dielectric Voltage: 500 VAC one sec level
- Temperature Rating:
- Operating temperature: -25°C to +85°C.
- Environmental:
- Lead free, RoHS compliant



UNLESS OTHERWISE SPECIFIED ALL DIMENSIONS ARE MILLIMETERS TOLERANCES: EXCEPT AS NOTED		ADAM 909 Rahway Avenue, TECH Union, NJ 07083 INTERCONNECTS Phone: 908-687-5000 Fax: 908-687-5710	
MM ANGLE		TITLE	
X ± 0.30	X ± 1°	BATTERY COIN CELL HOLDER, CR 2032 WHITE COLOR, SMT TYPE, GOLD PLATED	
X.X ± 0.25	X.X ± 0.5°	SIZE	PART NO.
X.XX ± 0.20		X	BH-27A-5-G-WT
X.XXX ± 0.10		REF: S00136C	SCALE: NTS
APPROVALS		SHEET 1 OF 1	
DRAWN	LH	DATE	
CHECKED	MY	3/13/20	
APPROVED			
		REV.	-

6

5

4

3

2

1