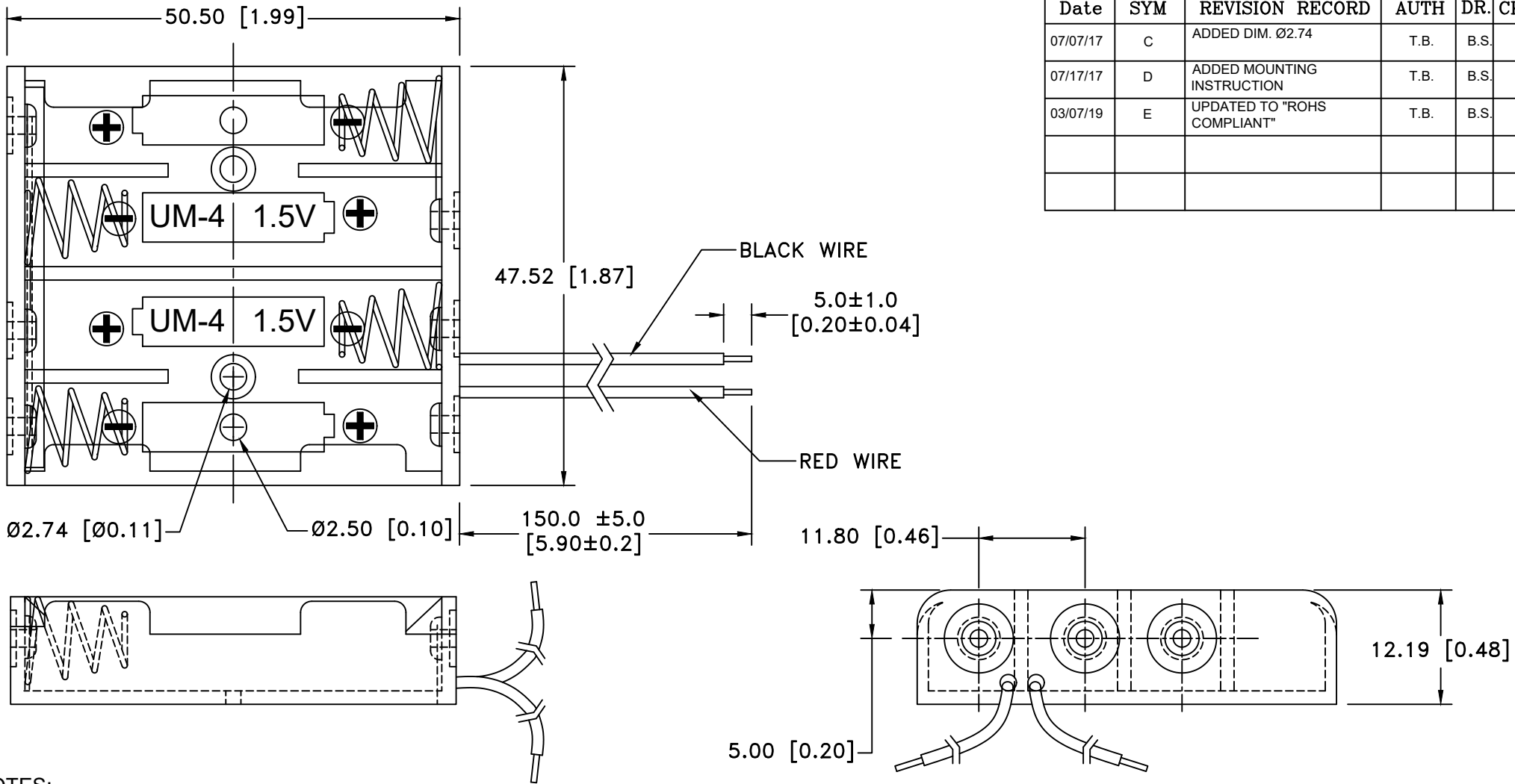



Date	SYM	REVISION RECORD	AUTH	DR.	CK.
07/07/17	C	ADDED DIM. Ø2.74	T.B.	B.S.	
07/17/17	D	ADDED MOUNTING INSTRUCTION	T.B.	B.S.	
03/07/19	E	UPDATED TO "ROHS COMPLIANT"	T.B.	B.S.	



NOTES:

- Plastic material - Polypropylene, Black
- Flammability Rating -UL94-HB, UL File NO. E216959
- Temperature Range: -10°C to +100°C
- Springs - Nickel Plated Spring Steel
- Wire - 26 AWG, UL1007, CSA, TR64, 300V, 80°C
- Rivets - Brass, Nickel Plated
- Contact Resistance: Under 50mΩ for +/- contacts per EIA-540J000
- ROHS COMPLIANT

Mounting Instruction:
 Use 2-56 machine screws or eyelets 0.089" OD by 0.15" flange stimpson GS-3 series or equivalent. also adhesives and double sided tapes work well.

Tolerance (Except as noted)	 Memory Protection Devices, Inc 200 Broad Hollow Road, Farmingdale, New York 11735		
	decimal ±.5 (.020)	Scale	Drawn By B.S. Approved By T.B.
Fractional ± .8 (.030)	Title FOUR "AAA" CELL HOLDER WITH WIRE LEADS		
Angular ± 3°	Date 03/07/19	Drawing Number BC4AAAW	