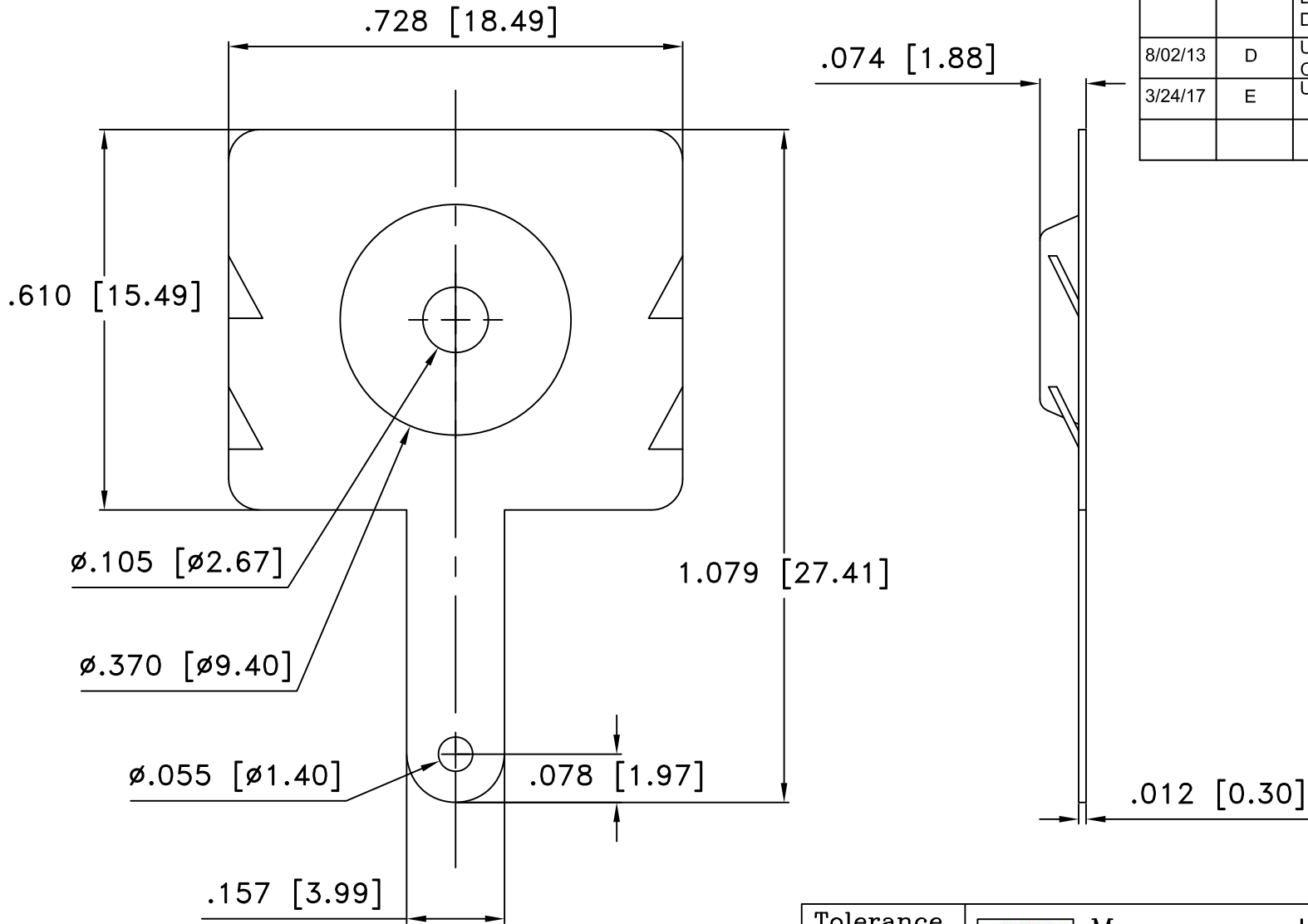



Date	SYM	REVISION RECORD	AUTH	DR.	CK.
5/06/10	C	ADDED HOLE Ø0.055 DIM. Ø0.105 WAS Ø0.125 DIM. Ø0.370 WAS Ø0.335	T.B.	B.S.	
8/02/13	D	UPDATED TO ROHS 2 COMPLIANT	T.B.	B.S.	
3/24/17	E	UPDATED NOTE	T.B.	B.S.	



MATERIAL:

STEEL, 0.3mm (0.012") THICK. BRIGHT TIN PLATED
ROHS 2 COMPLIANT

Tolerance (Except as noted)	 Memory protection Devices, Inc 200 Broad Hollow Road, Farmingdale, New York 11735	Scale	Drawn By T.S.
			Approved By T.B.
decimal \pm .5 (.020)	Title SNT8 C CELL BATTERY CONTACT		
Fractional \pm .8 (.030)	Date 03/24/17	Drawing Number SN-T8-1	
Angular \pm 3°			