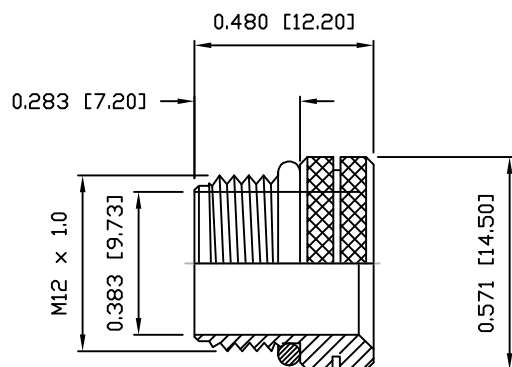
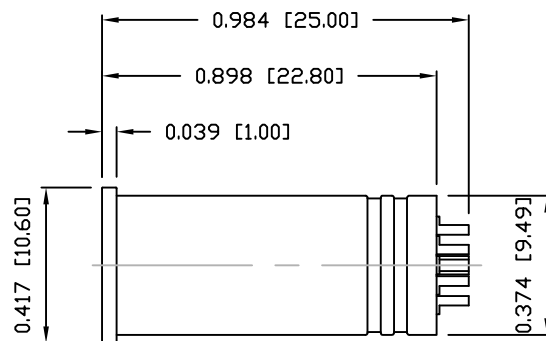
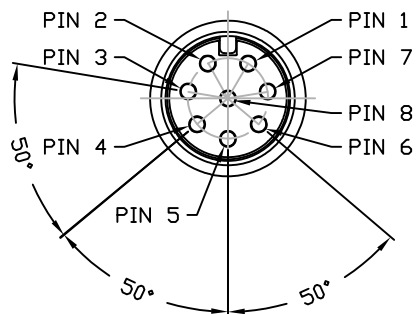
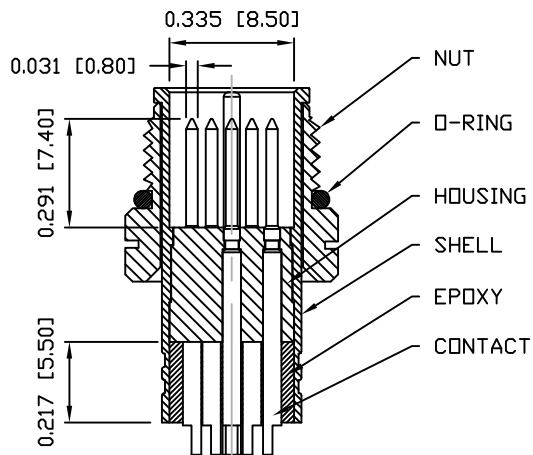


DESCRIPTION: M12 MALE - CABLE MOUNT SOLDER CUP - 8 POS.



NUT



NOTE:

MATERIAL

| | |
|----------|--|
| HOUSING: | PBT UL94V-0, BLACK |
| CONTACT: | BRASS |
| SHELL: | ZINC ALLOY |
| NUT: | BRASS |
| O-RING: | EPDM, BLACK |
| FINISH | |
| CONTACT: | GOLD PLATED OVER 50µ" NICKEL MATTE TIN |
| SHELL: | NICKEL PLATED |
| NUT: | |

ELECTRICAL

| | |
|------------------------|----------------|
| RATED CURRENT: | 2A |
| RATED VOLTAGE: | 30V |
| INSULATION RESISTANCE: | 100 MΩhms MIN. |
| CONTACT RESISTANCE: | 10 mΩhms MAX. |
| WATER PROOF: | IP67 |
| ENVIRONMENT | |
| OPERATION TEMPERATURE: | -40°C TO +85°C |
| MAX WIRE AWG: | 24 |

858-008-103RLSY

3 = ZINC ALLOY/TIN (Z/T) SHELL & BRASS/NICKEL NUT
T = Z/T SHELL / SS NUT

1 = GOLD FLASH
4 = 10µ" GOLD

RoHS COMPLIANT

UNITS = INCHES [MM]

DO NOT SCALE FROM DRAWING



THESE DRAWINGS AND SPECIFICATIONS ARE THE PROPERTY OF NorComp AND SHALL NOT BE REPRODUCED, COPIED OR USED AS THE BASIS FOR THE MANUFACTURE OR SALE OF APPARATUS WITHOUT WRITTEN PERMISSION.

DRAWN:

M. SIGMON

DATE:

03-07-16

NorComp

SCALE:

NTS

SHEET OF

1 1

REV

4

DWG NO.

858-008-103RLSY