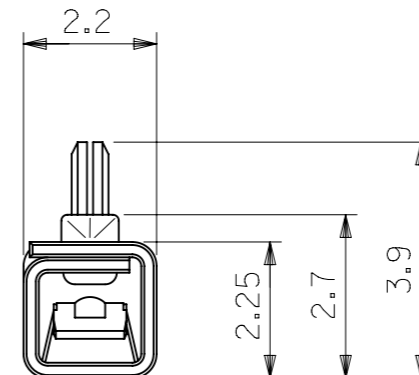
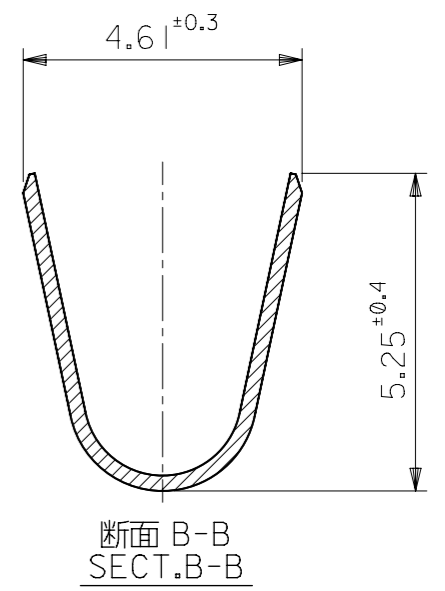
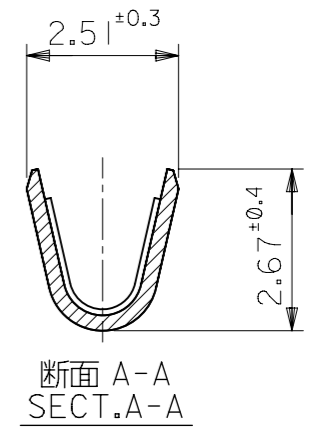
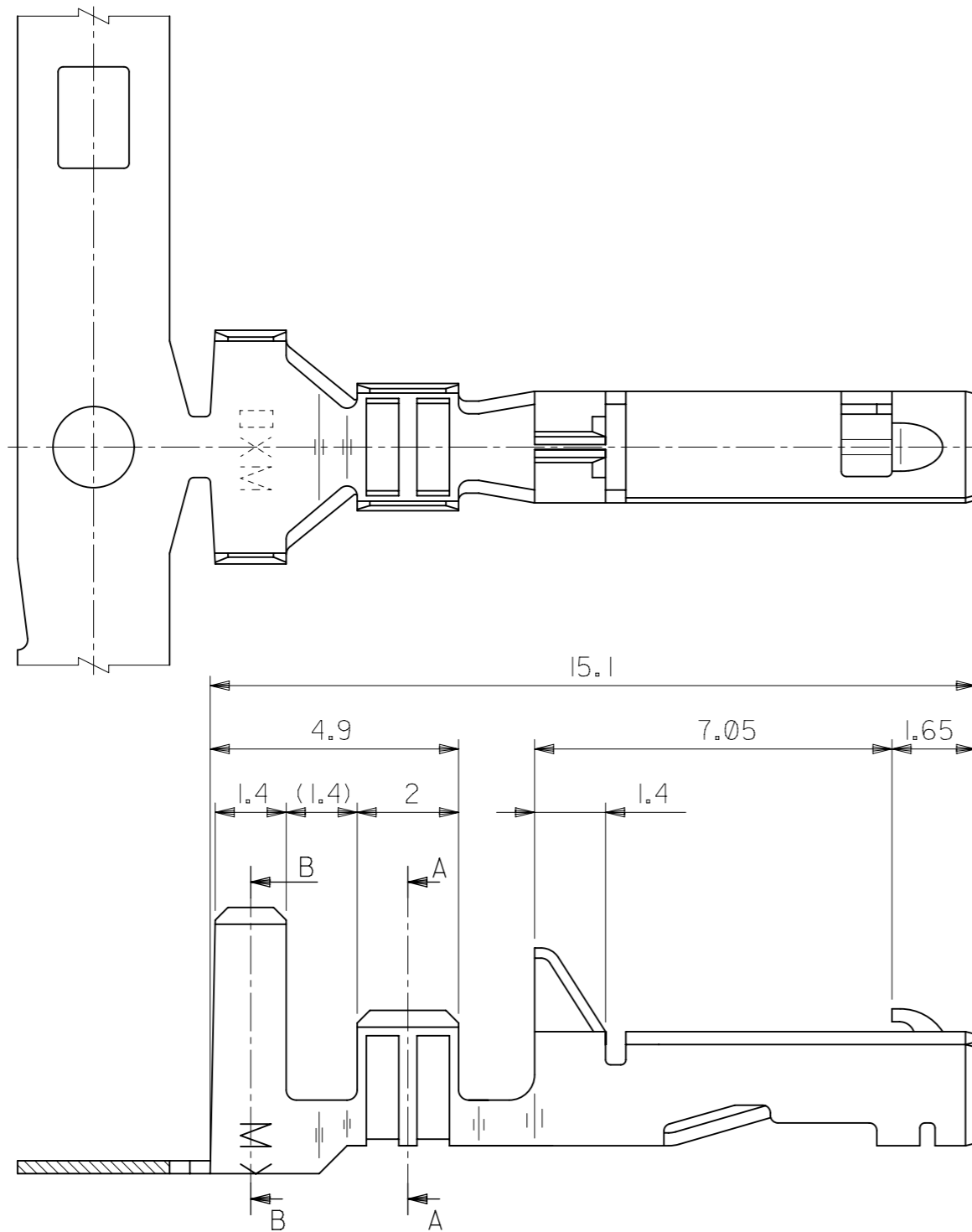


注記
NOTES

- 適合ハウジング : 51142シリーズ
APPLICABLE HOUSING : 51142 SERIES
- 材料 : 銅合金、錫めっき (t=0.25)
MATERIAL : COPPER ALLOY, TIN PLATED (t=0.25)
- 適用電線範囲 : AWG16~22
APPLICABLE WIRE RANGE : AWG16~22
適用被覆外径 : $\varnothing 2.0 \sim 3.3$
 $\varnothing 2.5\text{max}$ (リテーナー使用時)
APPLICABLE INSULATOR RANGE : $\varnothing 2.0 \sim 3.3$
 $\varnothing 2.5\text{max}$ (WITH RETAINER)

50597-8000	連鎖状 CHAIN
ENG. NO.	端子形状 FORM

THIS DRAWING CONTAINS INFORMATION THAT IS PROPRIETARY TO MOLEX ELECTRONIC TECHNOLOGIES, LLC AND SHOULD NOT BE USED WITHOUT WRITTEN PERMISSION									
DIMENSION UNITS	SCALE	CURRENT REV DESC: OBSOLETE PART NUMBERS AS PER PCN 508518							
mm	8:1								
GENERAL TOLERANCES (UNLESS SPECIFIED)									
ANGULAR TOL	± 3.0 °	3.96 W/W & W/B CONN. CRIMP TERMINAL							
4 PLACES	± 0.2	PRODUCT CUSTOMER DRAWING							
3 PLACES	± 0.2	DOCUMENT NUMBER							
2 PLACES	± 0.2	505970000-SD							
1 PLACE	± 0.2	DOC TYPE							
0 PLACES	± 0.2	PSD							
DRAFT WHERE APPLICABLE MUST REMAIN WITHIN DIMENSIONS		THIRD ANGLE PROJECTION		DRAWING	SERIES	MATERIAL NUMBER	CUSTOMER	DOC PART	REVISION
				A3-SIZE	50597	SEE CHART	GENERAL MARKET	000	B
									SHEET NUMBER
									1 OF 1



注記
NOTES

- 適合ハウジング : 51138 , 51142 シリーズ
APPLICABLE HOUSING : 51138 , 51142 SERIES
- 材料 : 銅合金, 錫メッキ (t=0.25)
MATERIAL : COPPER ALLOY , TIN PLATED (t=0.25)
- リテーナー使用時 : $\phi 2.5$ MAX.
WHEN RETAINER USING : $\phi 2.5$ MAX.

角度 ANGLE	+3°				
30 以上 OVER	+0.3				
10 以上 30 未満 OVER UNDER	+0.25	A	OBSOLETE PART NUMBER 0505978100	RPRABHUM GB	'21/06/01
10 未満 UNDER	+0.2	0	新規作成 (JC60392) PROPOSED	H.H H.H	'95/12/15
一般公差 GENERAL TOLERANCES		記号 LTR	変更内容 REVISION RECORD	DR. CHK.	日付 DATE

材料 MATERIAL 注記参照 SEE NOTES

仕上げ FINISH 注記参照 SEE NOTES

適用電線範囲 WIRE RANGE AWG #16-22

被覆外径 INS. RANGE $\phi 2.0-3.3$

THIS DRAWING CONTAINS INFORMATION THAT IS PROPRIETARY TO MOLEX ELECTRONIC TECHNOLOGIES, LLC AND SHOULD NOT BE USED WITHOUT WRITTEN PERMISSION

DIMENSION UNITS	SCALE	CURRENT REV DESC: OBSOLETE PART NUMBER AS PER PCN 508518
mm	8:1	
GENERAL TOLERANCES (UNLESS SPECIFIED)		
4 PLACES	±	
3 PLACES	±	
2 PLACES	±	
1 PLACE	±	
0 PLACES	±	
ANGULAR TOL	± °	
DRAFT WHERE APPLICABLE MUST REMAIN WITHIN DIMENSIONS	THIRD ANGLE PROJECTION	DRAWING SERIES MATERIAL NUMBER CUSTOMER SHEET NUMBER
		A3-SIZE 50597 SEE TABLE GENERAL MARKET 1 OF 1

EC NO: 671087
DRWN: RPRABHUM 2021/06/01
CHK'D: GGA 2021/08/06
APPR: GGA 2021/08/06

INITIAL REVISION:
DRWN: H.HASEGAWA 1995/12/15
APPR: M.FUKUSHIMA 1995/12/15

DOCUMENT NUMBER: SD-50597-8X00
DOC TYPE: PSD
DOC PART: 011
REVISION: A

3.96 WIRE TO WIRE CONN. CRIMP TERMINAL

PRODUCT CUSTOMER DRAWING

50597-8000	連鎖状 CHAIN
ENG. NO.	端子形状 FORM