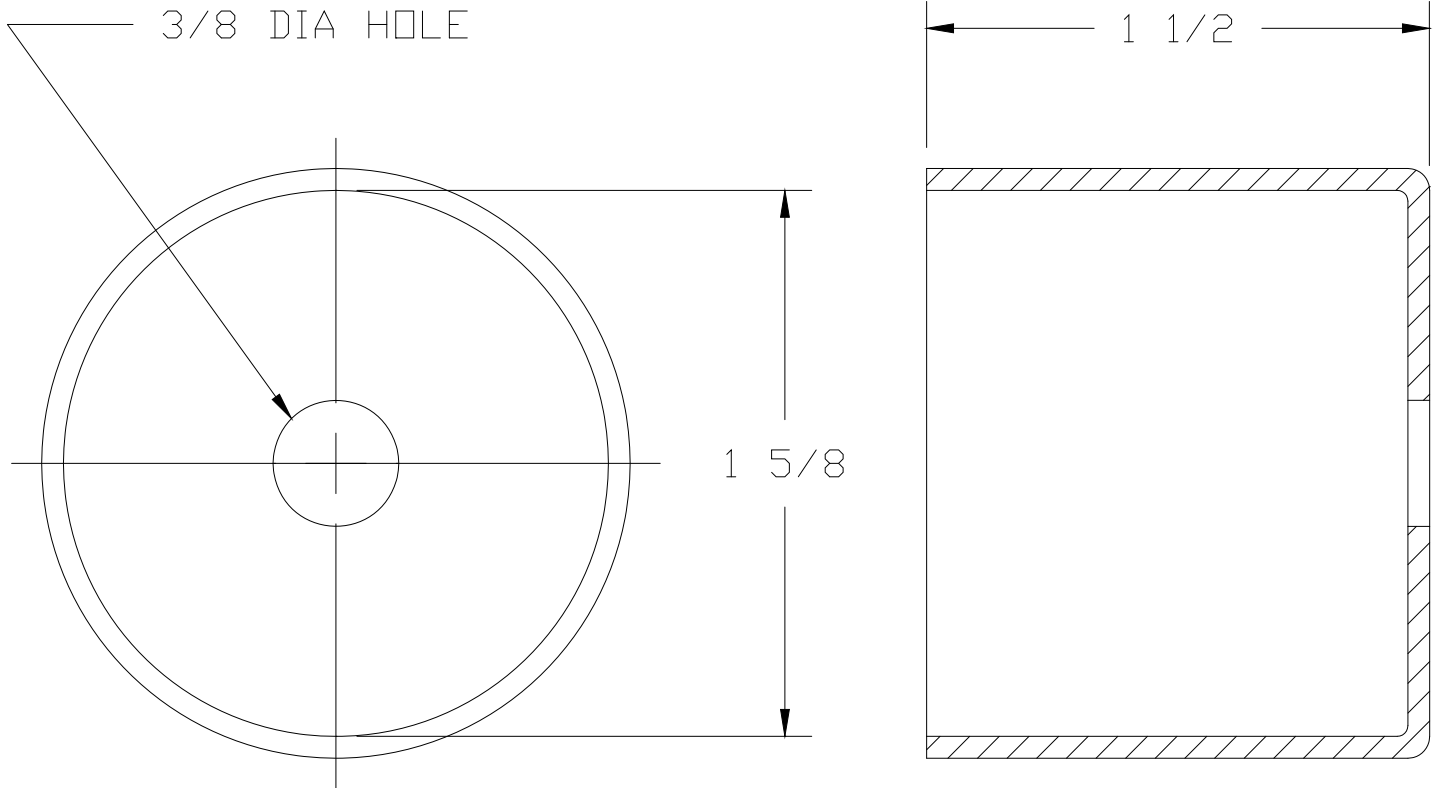


**Insulating Boot**

Recommended especially for 110Vac & 250Vac models, or any other classic ('SC') Sonalert<sup>®</sup> model where terminal insulation is desired.

Material: Vinyl      Color: Black

Parts are ROHS Compliant