

MATERIALS AND FINISHES:

BODY: BERYLLIUM COPPER

OPTION 1:
 PLATED GOLD (30μ-in MIN)
 OVER NICKEL (100μ-in MIN)

OPTION 2:
 PLATED GOLD (10μ-in MIN)
 OVER NICKEL (100μ-in MIN)

OPTION 3:
 PLATED GOLD (8μ-in MIN)
 OVER NICKEL PHOSPHOR (80μ-in MIN)
 OVER COPPER (20μ-in MIN)

CONTACT: BERYLLIUM COPPER

OPTION 1:
 PLATED GOLD (30μ-in MIN)
 OVER NICKEL (100μ-in MIN)

OPTION 3:
 PLATED GOLD (8μ-in MIN)
 OVER NICKEL PHOSPHOR (80μ-in MIN)
 OVER COPPER (20μ-in MIN)

INSULATOR: PTFE

EMI RING: BRASS

OPTION 1:
 PLATED GOLD (30μ-in MIN)
 OVER NICKEL (100μ-in MIN)

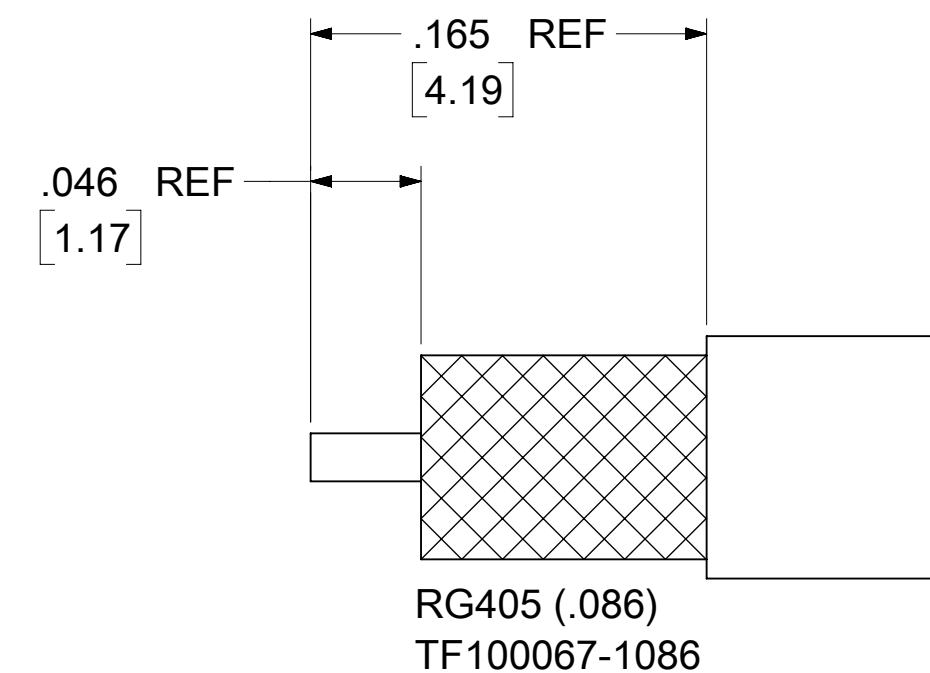
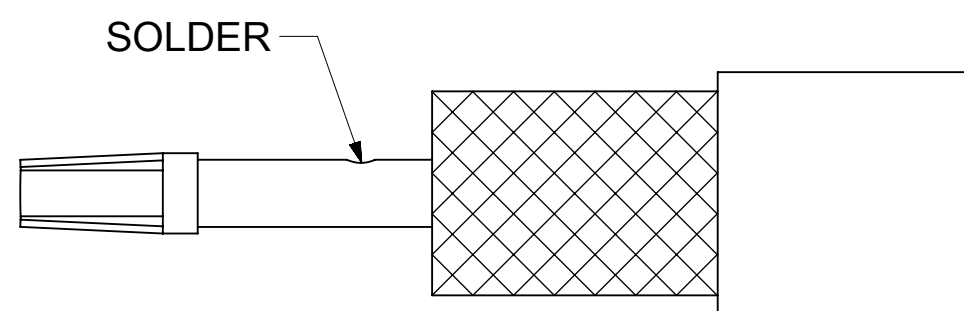
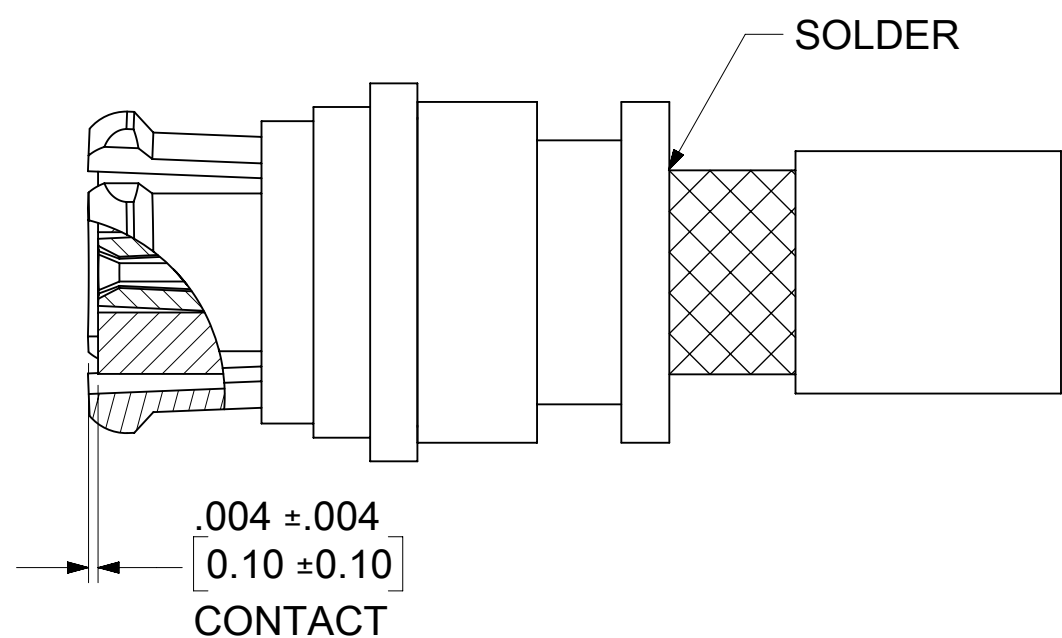
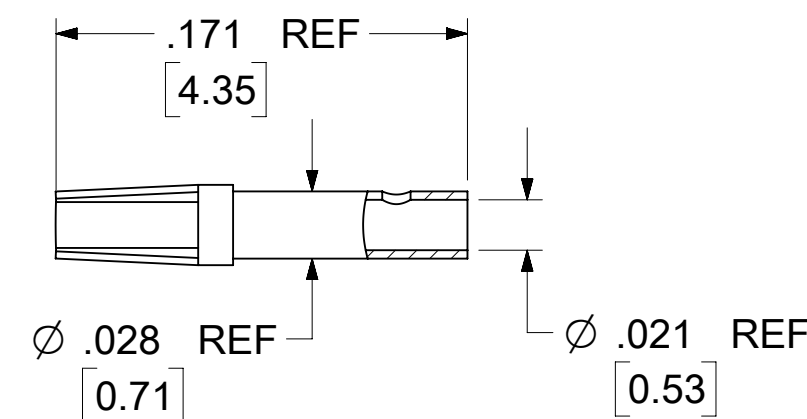
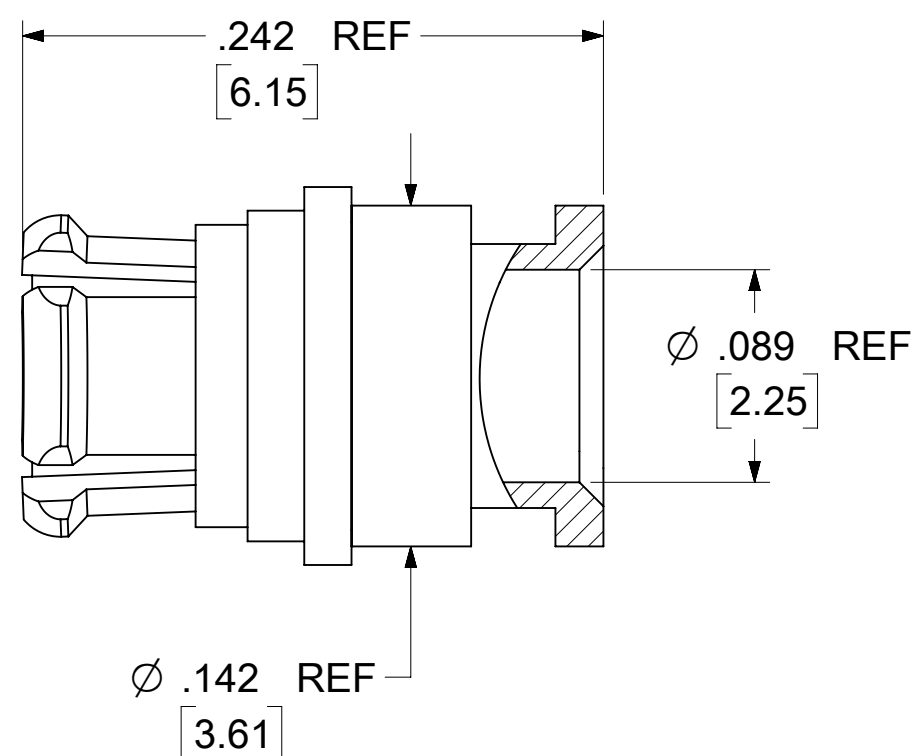
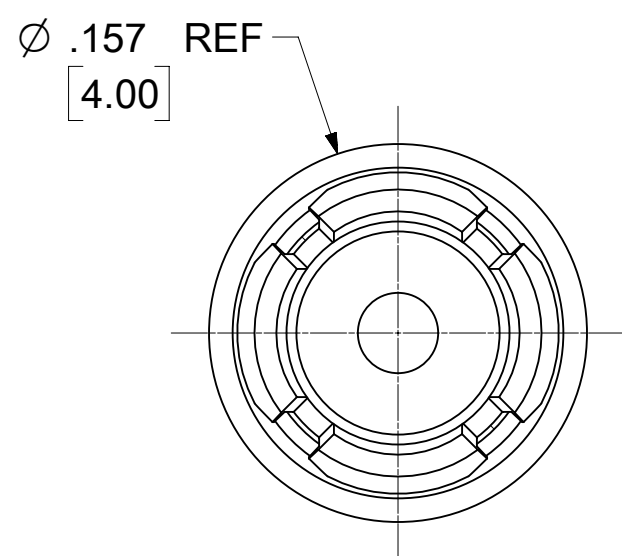
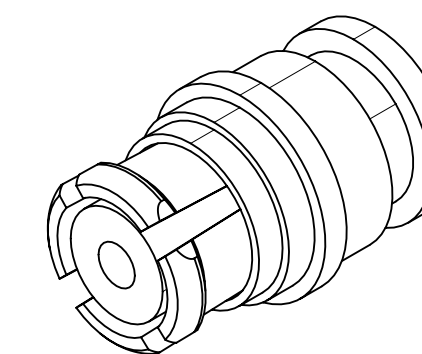
OPTION 3:
 PLATED GOLD (8μ-in MIN)
 OVER NICKEL PHOSPHOR (80μ-in MIN)
 OVER COPPER (20μ-in MIN)

ELECTRICAL CHARACTERISTICS:

NOMINAL IMPEDANCE: 50Ω

FREQUENCY RANGE: DC - 26.5 GHz

VSWR: 1.20 MAX DC - 15.0 GHz
1.50 MAX 15.0 GHz - 26.5 GHz



RECOMMENDED STRIP DIMENSIONS

RG405 (.086)
TF100067-1086

73415-3743	OPTION 3	OPTION 3	OPTION 3	TRAY
73415-3742	OPTION 2			TRAY
73415-3741	OPTION 1	OPTION 1	OPTION 1	ONE PER BAG
73415-3740				TRAY
PART NO.	BODY	CONTACT	EMI RING	PACKAGING

PS-89675-3320	ELEC/MECH PERFORMANCE
MIL-STD-348B. FIG. 326.1	INTERFACE
SPECIFICATION	DESCRIPTION

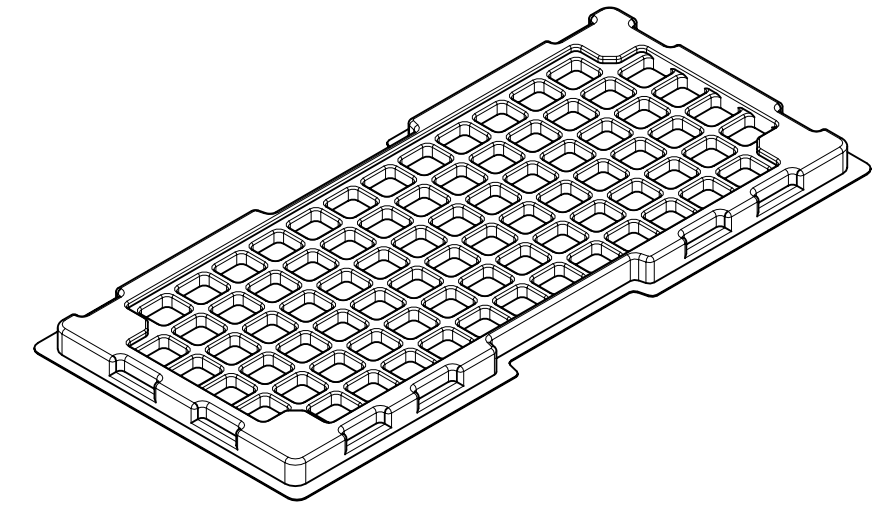
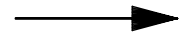
DOCUMENT STATUS	P1	RELEASE DATE	2021/09/28	01:36:50
-----------------	----	--------------	------------	----------

THIS DRAWING CONTAINS INFORMATION THAT IS PROPRIETARY TO MOLEX ELECTRONIC TECHNOLOGIES, LLC AND SHOULD NOT BE USED WITHOUT WRITTEN PERMISSION

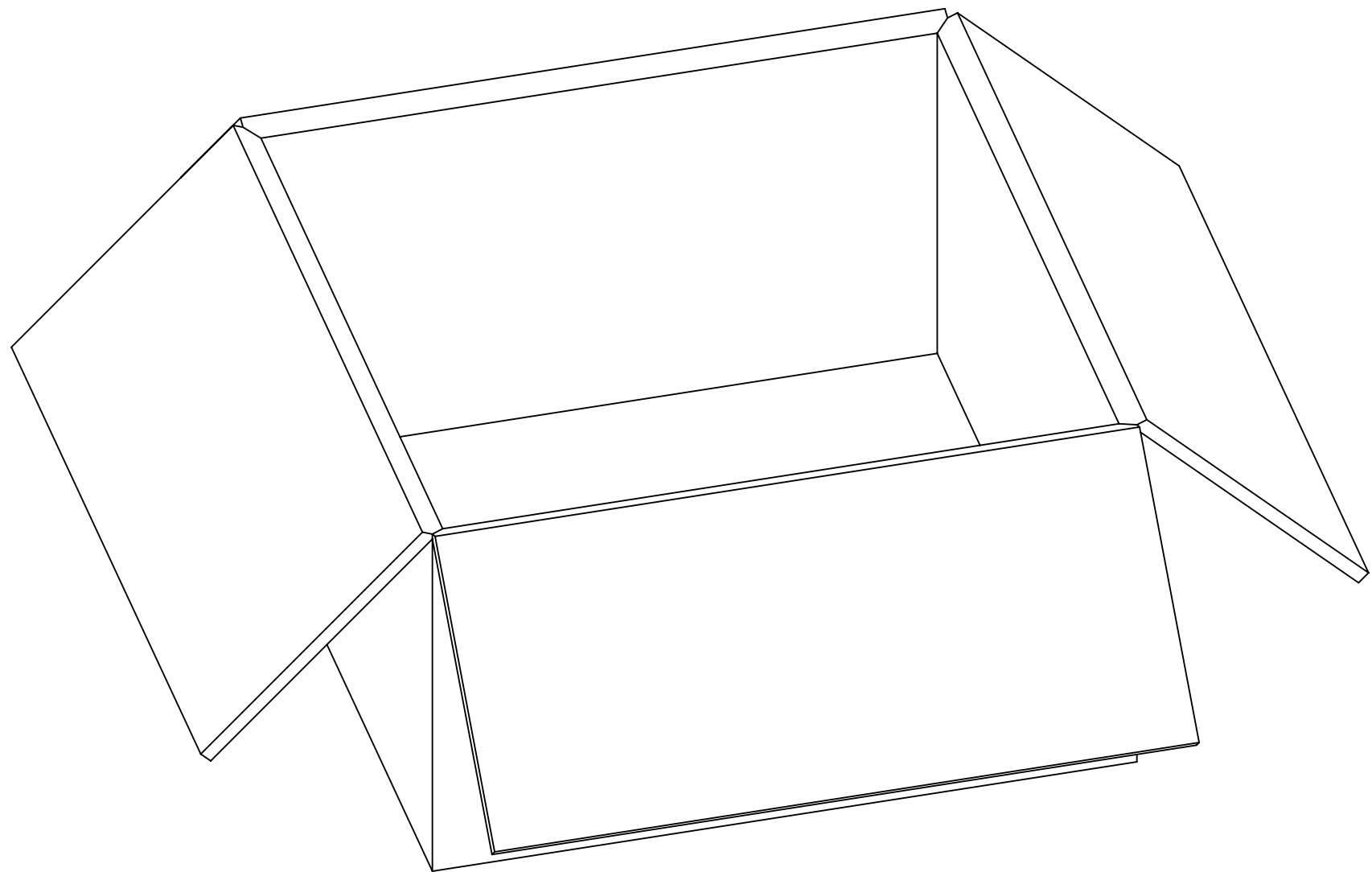
DIMENSION UNITS	SCALE	CURRENT REV DESC: ADD 73415-3743 PER EWR #14654-B	molex			
INCH/MM	NTS					
GENERAL TOLERANCES (UNLESS SPECIFIED)			SMP JACK STR FOR RG405 CABLE SMP-JC EWR-1350			
ANGULAR TOL	± 2.0°	EC NO: 678772				
4 PLACES	±	DRWN: RYEH 2021/07/20	PRODUCT CUSTOMER DRAWING			
3 PLACES	±	CHK'D: YCHENG 2021/09/28				
2 PLACES	± 0.25	APPR: YCHENG 2021/09/28	DOCUMENT NUMBER			
1 PLACE	±	INITIAL REVISION:				
0 PLACES	±	DRWN: RFC_PLMIMP 2017/12/28	SD-73415-374			
		APPR: JWIENER 2010/09/30				
DRAFT WHERE APPLICABLE MUST REMAIN WITHIN DIMENSIONS	THIRD ANGLE PROJECTION	DRAWING	SERIES	MATERIAL NUMBER	CUSTOMER	SHEET NUMBER
		C-SIZE	73415	SEE TABLE	GENERAL MARKET	1 OF 3



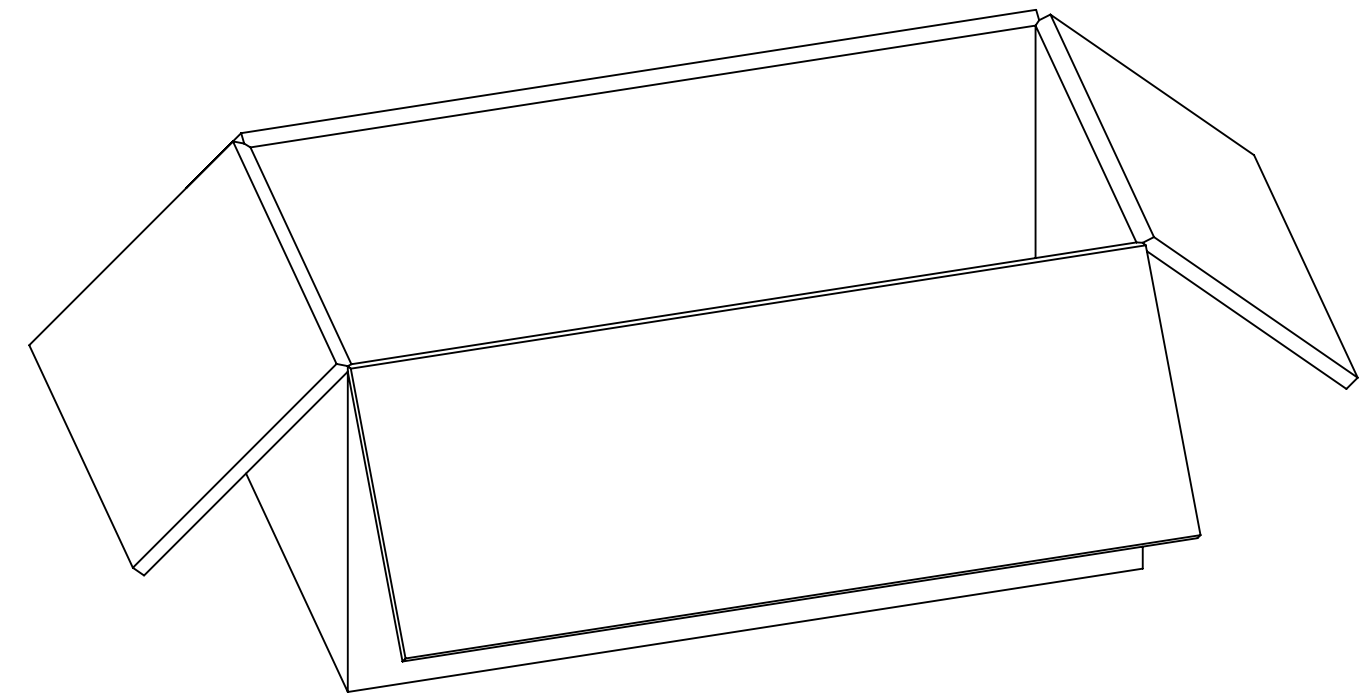
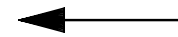
P/N: 73415-3740
 OR
 P/N: 73415-3742
 OR
 P/N: 73415-3743



80 SETS PER TRAY
 P/N: 89707-0190



3200 SETS PER OUTER
 CARTON BOX
 P/N: 96708-0005



1600 SETS PER INNER
 CARTON BOX
 P/N: 96707-0001

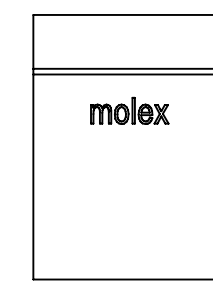
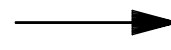
THIS DRAWING CONTAINS INFORMATION THAT IS PROPRIETARY TO MOLEX ELECTRONIC TECHNOLOGIES, LLC AND SHOULD NOT BE USED WITHOUT WRITTEN PERMISSION

DIMENSION UNITS		SCALE		CURRENT REV DESC: ADD 73415-3743 PER EWR #14654-B				molex					
INCH/MM		NTS											
GENERAL TOLERANCES (UNLESS SPECIFIED)				EC NO: 678772				SMP JACK STR FOR RG405 CABLE SMP-JC EWR-1350					
ANGULAR TOL ± 2.0°				DRWN: RYEH 2021/07/20									
4 PLACES ±				CHK'D: YCHENG 2021/09/28				PRODUCT CUSTOMER DRAWING					
3 PLACES ±				APPR: YCHENG 2021/09/28									
2 PLACES ± 0.25				INITIAL REVISION:				DOCUMENT NUMBER					
1 PLACE ±				DRWN: RFC_PLMIMP 2017/12/28									
0 PLACES ±				APPR: JWIENER 2010/09/30				SD-73415-374		DOC TYPE	DOC PART	REVISION	
DRAFT WHERE APPLICABLE MUST REMAIN WITHIN DIMENSIONS		THIRD ANGLE PROJECTION		DRAWING		SERIES		MATERIAL NUMBER		CUSTOMER		SHEET NUMBER	
				C-SIZE		73415				GENERAL MARKET		2 OF 3	

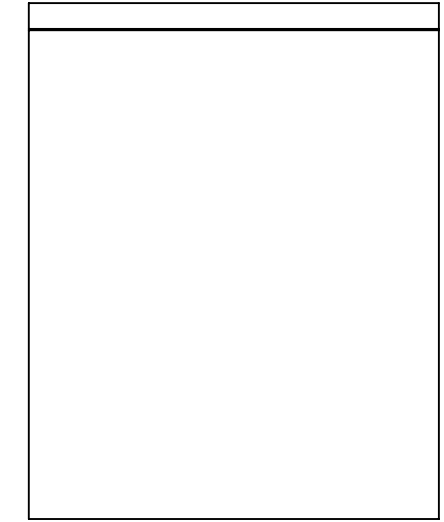
DOCUMENT STATUS	P1	RELEASE DATE	2021/09/28	01:36:50
-----------------	----	--------------	------------	----------



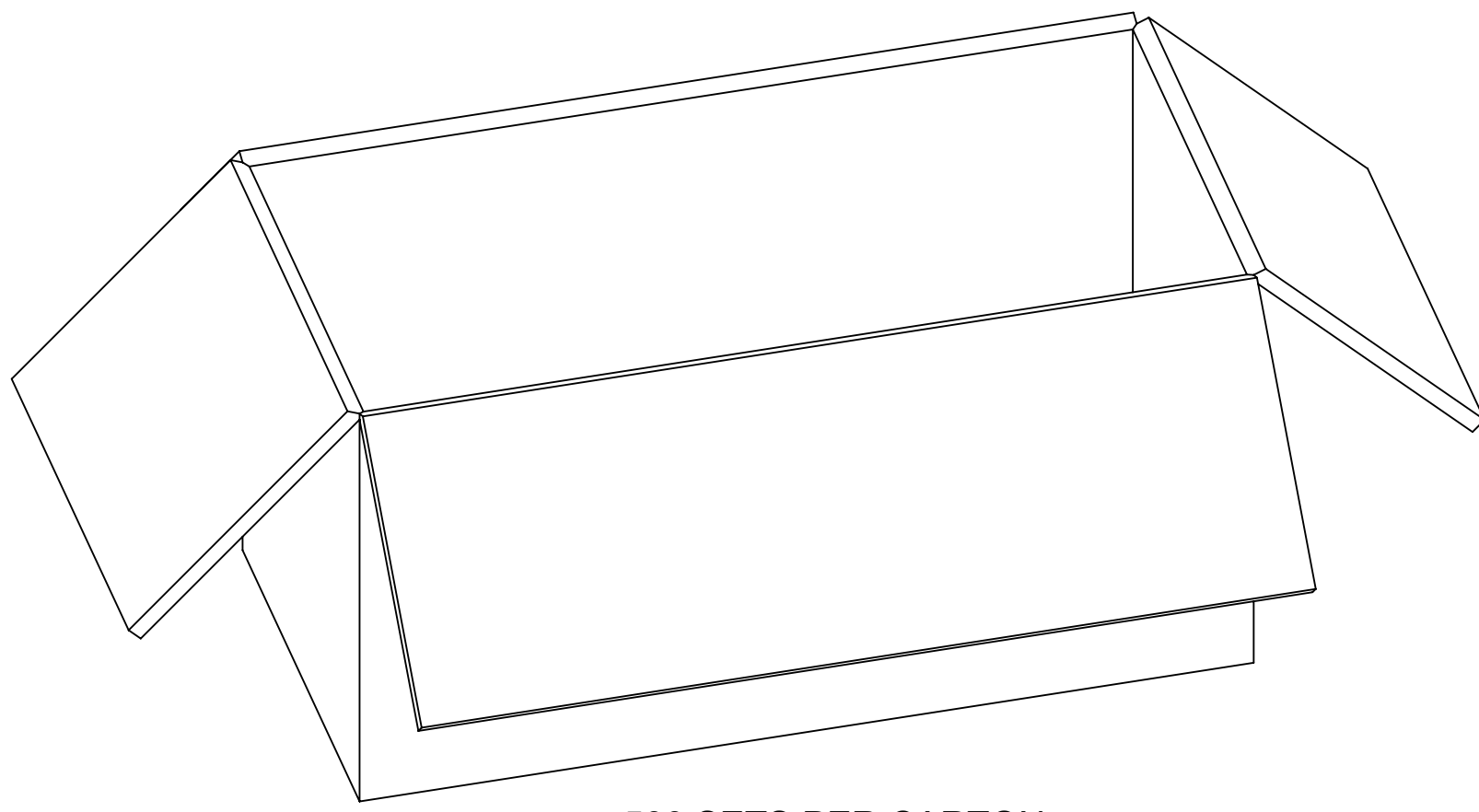
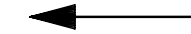
P/N: 73415-3741



ONE PER BAG
P/N: 89707-0317



50 SETS PER BAG
P/N: 89707-0001



500 SETS PER CARTON
BOX
P/N: 96707-0002

THIS DRAWING CONTAINS INFORMATION THAT IS PROPRIETARY TO MOLEX ELECTRONIC TECHNOLOGIES, LLC AND SHOULD NOT BE USED WITHOUT WRITTEN PERMISSION

DIMENSION UNITS		SCALE		CURRENT REV DESC: ADD 73415-3743 PER EWR #14654-B			molex					
INCH/MM		NTS										
GENERAL TOLERANCES (UNLESS SPECIFIED)				EC NO: 678772 DRWN: RYEH 2021/07/20 CHK'D: YCHENG 2021/09/28 APPR: YCHENG 2021/09/28 INITIAL REVISION: DRWN: RFC_PLMIMP 2017/12/28 APPR: JWIENER 2010/09/30			SMP JACK STR FOR RG405 CABLE SMP-JC EWR-1350					
ANGULAR TOL ± 2.0°							PRODUCT CUSTOMER DRAWING					
4 PLACES ±							DOCUMENT NUMBER			DOC TYPE	DOC PART	REVISION
3 PLACES ±							SD-73415-374			PSD	001	C3
2 PLACES ± 0.25							MATERIAL NUMBER			CUSTOMER		SHEET NUMBER
1 PLACE ±				C-SIZE			GENERAL MARKET		3 OF 3			
0 PLACES ±				DRAFT WHERE APPLICABLE MUST REMAIN WITHIN DIMENSIONS	THIRD ANGLE PROJECTION	DRAWING	SERIES					

DOCUMENT STATUS	P1	RELEASE DATE	2021/09/28	01:36:50
-----------------	----	--------------	------------	----------