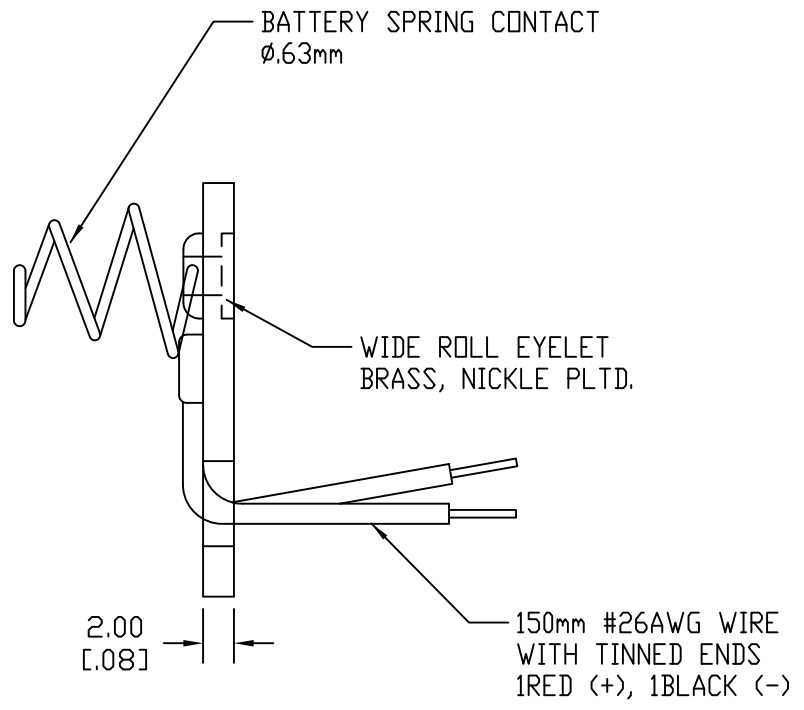
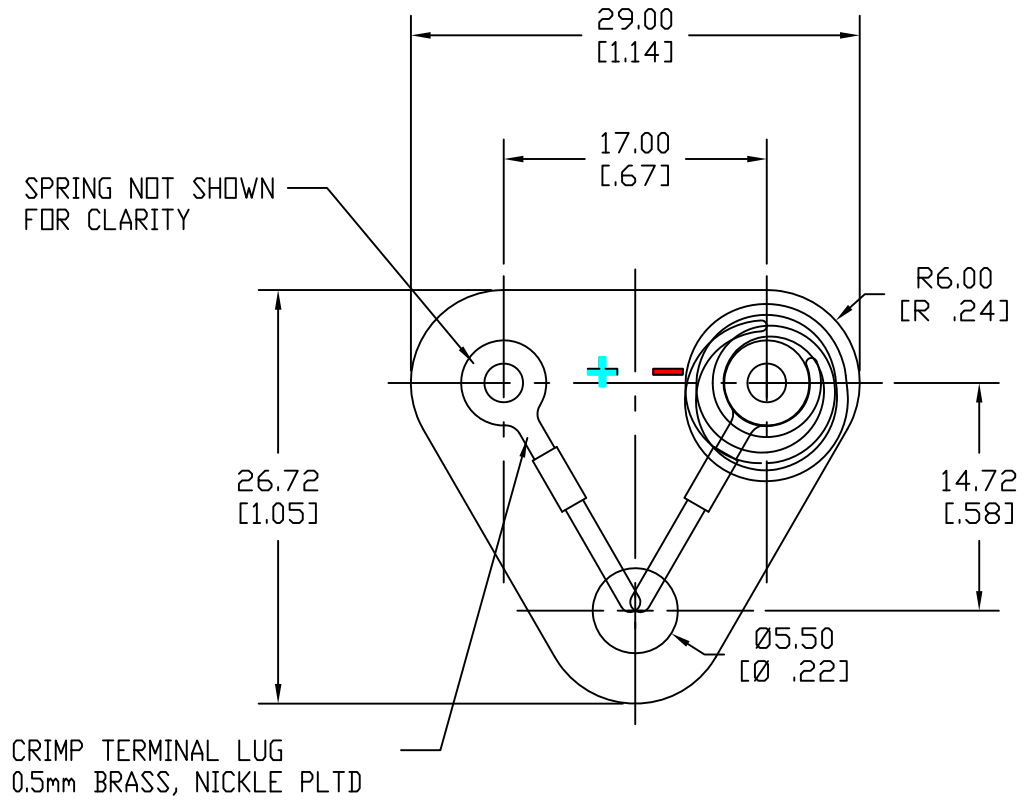



Date	SYM	REVISION RECORD	AUTH	DR.	CK.
11/21/14	B	UPDATED TO ROHS 2 COMPLIANT	T.B.	B.S.	



NOTES:

- MATERIAL:
- PLATE: POLYPROPYLENE WITH 10% TALC
 - SPRING: SPRING TEMPER STAINLESS STEEL, NICKLE PLATED
 - WIRE: UL1007, CSA-TR64, 80°C, 300V
 - ROHS 2 COMPLIANT

Tolerance (Inches)	 Memory Protection Devices, Inc 200 Broad Hollow Road, Farmingdale, New York 11735		
Decimal ±.5 (.020)		Scale	Drawn By B.S.
Fractional ±.8 (.030)	Title ELECTRICAL PLATE WITH SPRINGS AND WIRES		
Angular ± 3°	Date 11/21/14	Drawing Number DU1-M-306	
		Approved By T.B.	