

**ebm-papst St. Georgen GmbH & Co. KG**

Hermann-Papst-Str. 1  
 D-78112 St. Georgen  
 Phone +49 (0) 7724 81-0  
 Fax +49 (0) 7724 81-1309  
 info2@de.ebmpapst.com  
 www.ebmpapst.com

**Nominal data**

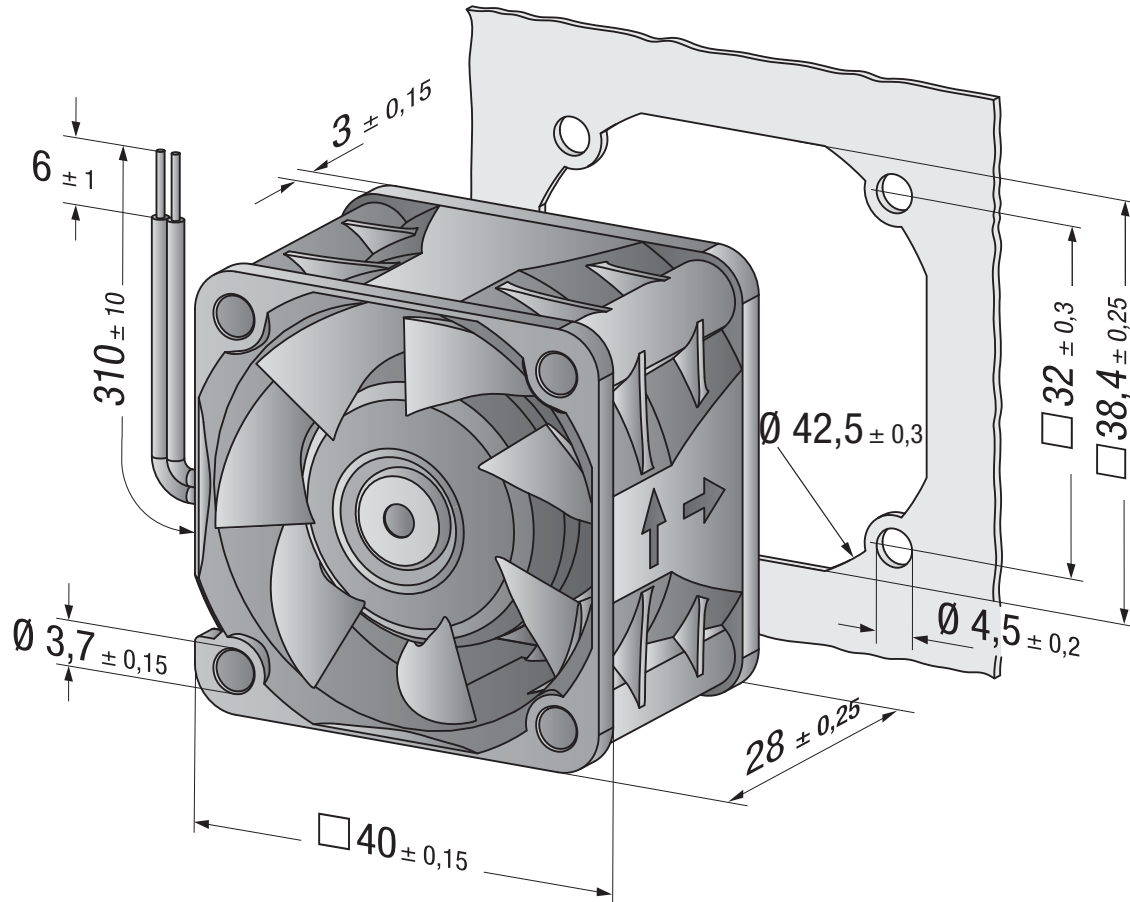
Type	422JM	
Phase		1~
Nominal voltage	VDC	12
Nominal voltage range	VDC	8 .. 13,8
Speed (rpm)	min <sup>-1</sup>	11400
Power consumption	W	2.4
Min. ambient temperature	°C	-20
Max. ambient temperature	°C	70
Air flow	m <sup>3</sup> /h	24
Sound power level	B	5.5
Sound pressure level	dB(A)	42

ml = Max. load · me = Max. efficiency · fa = Free air · cs = Customer specification · ce = Customer equipment  
 Subject to change

## Technical description

<b>General description</b>	Very pressure-insensitive characteristic curve for high air flow at high back pressure. Low operating noise at high back pressure. Standard version with PWM control input and speed signal. Other inputs and outputs on request.
<b>Weight</b>	0.045 kg
<b>Dimensions</b>	40 x 40 x 28 mm
<b>Impeller material</b>	Glass-fiber reinforced PA plastic
<b>Housing material</b>	Glass-fiber reinforced PBT plastic
<b>Part no.</b>	422JM
<b>Airflow direction</b>	Exhaust over struts
<b>Direction of rotation</b>	Counterclockwise, viewed toward rotor
<b>Storage</b>	Ball bearing
<b>Service life L10 at 20 °C</b>	75.000 h
<b>Service life L10 at 60 °C</b>	37.500 h
<b>Cable</b>	With leads AWG 28, UL 1061
<b>Approval</b>	VDE, CSA, UL
<b>Option</b>	Possible custom designs: Speed signal Go / No-go alarm External temperature sensor PWM control input Moisture protection Salt spray protection

Product drawing



## Curves

