



pui
audio™ inc
a projects unlimited company

AS04008PS-4W-R 40 x 28mm Speaker

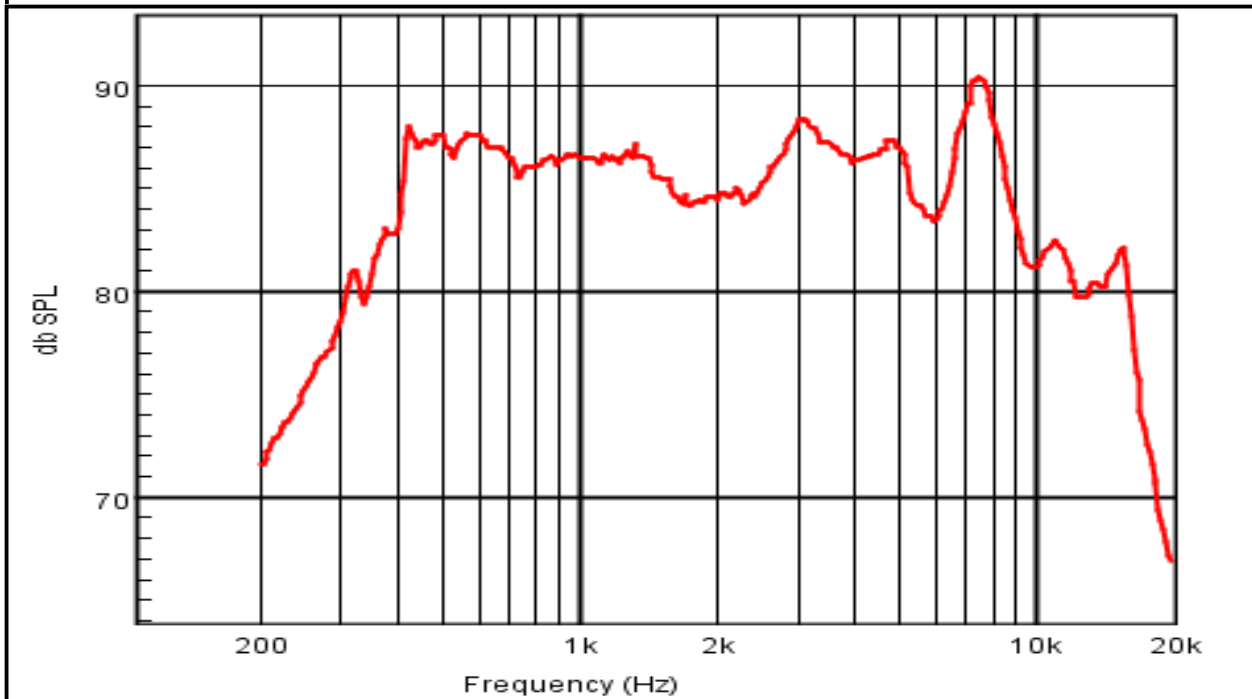


3541 Stop Eight Road • Dayton, Ohio 45414

Product Overview

- 40 x 20mm oval speaker with Neodymium magnet
- 84 dB sensitivity (1W/0.5m)
- 2W continuous, 4W maximum power handling and 8Ω impedance
- Good for music and vocal reproduction

Frequency Response (1W @ 0.5 meters)



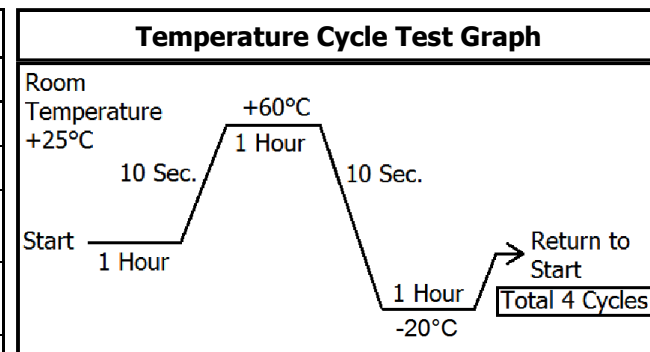
RoHS Compliant



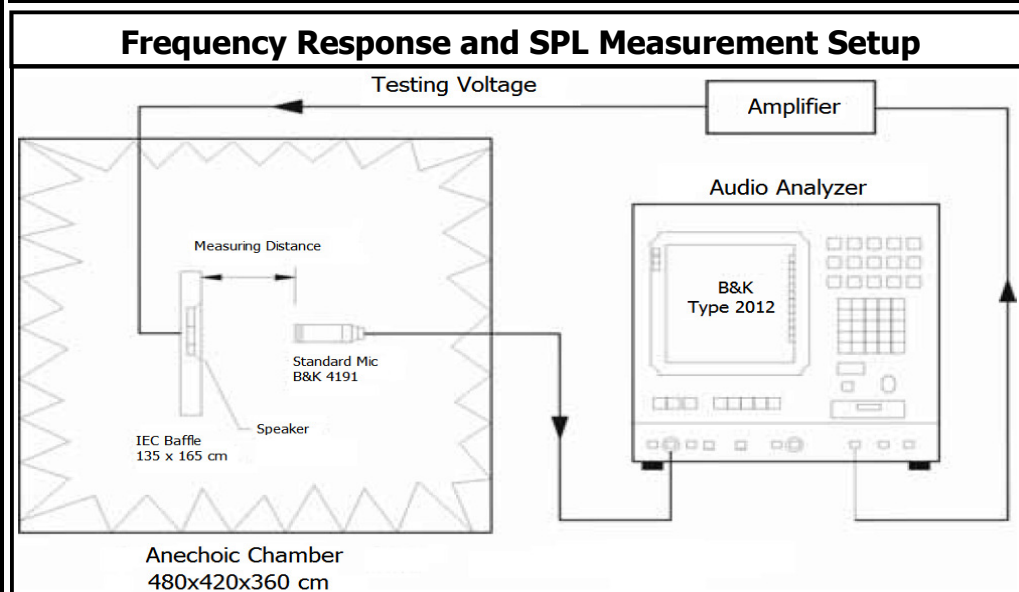


AS04008PS-4W-R 40 x 28mm Speaker

Mechanical and Environment Testing	
Test Description	Test Condition
High Temperature	60°C ±2°C with random humidity for 96 hours
Low Temperature	-20°C ±2°C with random humidity for 96 hours
Humidity	40°C with 90% to 95% relative humidity for 96 hours
Vibration	5G constant movement modulated at 10 to 55 Hz for 2 hours each of 3 axis
Drop Test	100 cm free fall onto 20mm thick board, 6 cycles
Temperature Cycle Test	-20°C to 60°C, 4 cycles (refer to Temperature Cycle Test Graph)



After tests, speaker shall rest for 1 hours. SPL shall not deviate ±4 dB from pre-test measurement.

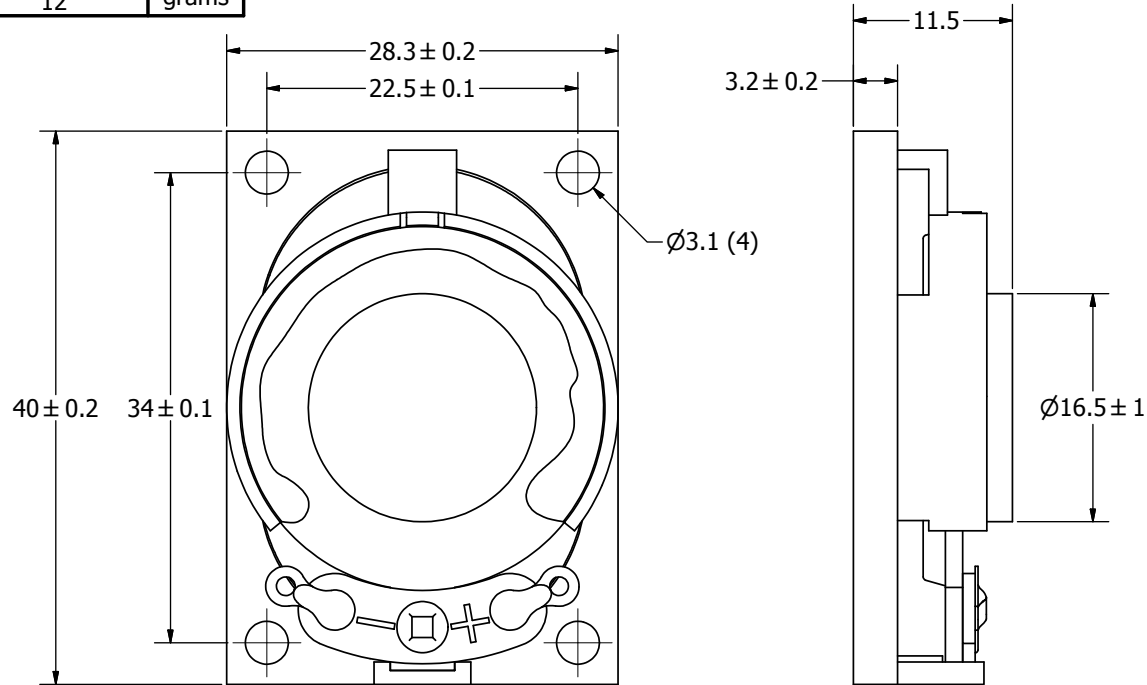


Thiele-Small Parameters	
Specification	Value
Fo (Hz)	380
Qes	3.65
Qms	1.44
Qts	1.03
Vas (mm ³)	17.32k
Sd (mm ²)	600
Mms (g)	0.389
Re (ohm)	7.4
BL (T)	1.32

SPECIFICATIONS		
PARAMETERS	VALUES	UNITS
RATED INPUT POWER	2	W
MAX INPUT POWER	4	W
IMPEDANCE	8 ± 15%	OHM
OUTPUT SPL @ 1W/0.5M (AT 1.0, 1.2, 1.5, 2.0 kHz)	84 ± 3	dB(A)
DISTORTION (MAX.)	5%	-
RESONANT FREQUENCY	380 ± 20%	Hz
FREQUENCY RANGE	380 ~ 20,000	Hz
HOUSING MATERIAL	ABS	-
CONE MATERIAL	PAPER	-
MAGNET MATERIAL	Nd-Fe-B	-
OPERATING TEMPERATURE	-20 ~ +60	°C
WEIGHT	12	grams


THIS DOCUMENT CONTAINS DATA PROPRIETARY TO PROJECTS UNLIMITED, INC. ANY USE OR REPRODUCTION, IN ANY FORM, WITHOUT PRIOR WRITTEN PERMISSION OF PROJECTS UNLIMITED, INC. IS PROHIBITED.
©2003, Projects Unlimited Inc.

REVISION HISTORY			
LTR	DESCRIPTION	DATE	APPROVED
-	RELEASED FROM ENGINEERING	9/25/2006	
A	REVISED TO INVENTOR 3-D DRAWING TEMPLATE	12/31/2008	B.R.



NOTES:

1. ALL DIMENSIONS ARE IN MILLIMETERS.
2. SPECIFICATIONS SUBJECT TO CHANGE OR WITHDRAWAL WITHOUT NOTICE.
3. THIS PART IS RoHS 2002/95/EC COMPLIANT.

UNLESS OTHERWISE SPECIFIED: DIMENSIONS ARE IN MILLIMETERS, TOLERANCES ARE ± 0.5 AND ANGLES ARE $\pm 3^\circ$.	SIZE	Designed by	Date	Checked by	Date	Approved by	Date	Drawn Date	
	A3	J.D.	9/25/2006	B.R.	9/25/2006	R.W.	9/25/2006	12/31/2008	
AS04008PS-4W-R.idw			AS04008PS-4W-R			Speaker		Edition	Sheet
						-		1 / 1	