

SIGN	DATE	DESCRIPTION	APPROVER
△	2012.10.03	USB 2.0 detail added	SHIN
<i>THIS IS CAD DRAWING, DO NOT REVISE MANUALLY!!!</i>			

PART NUMBER: **USB-M2XFXX**

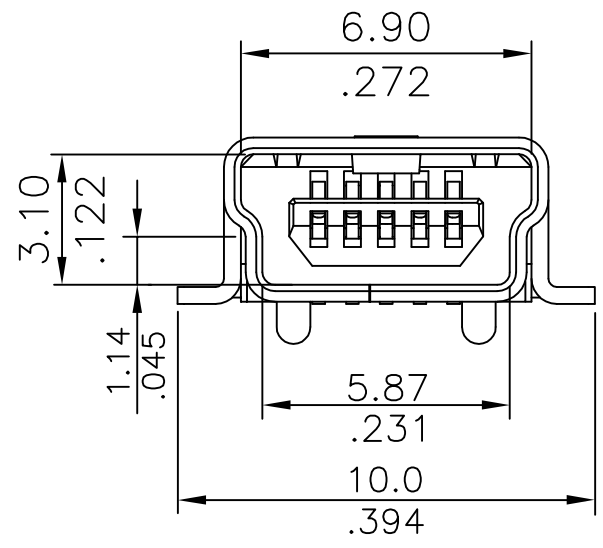
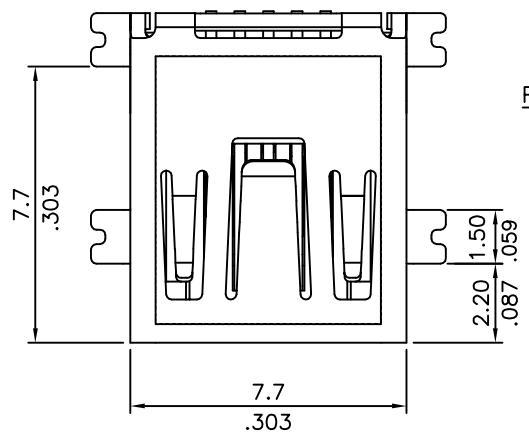
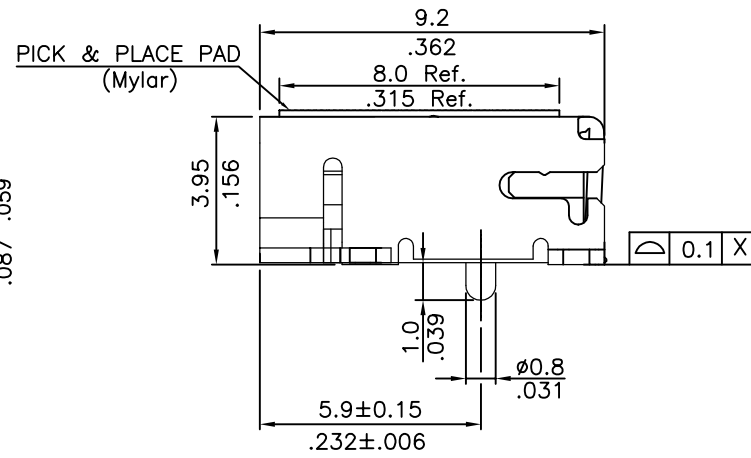
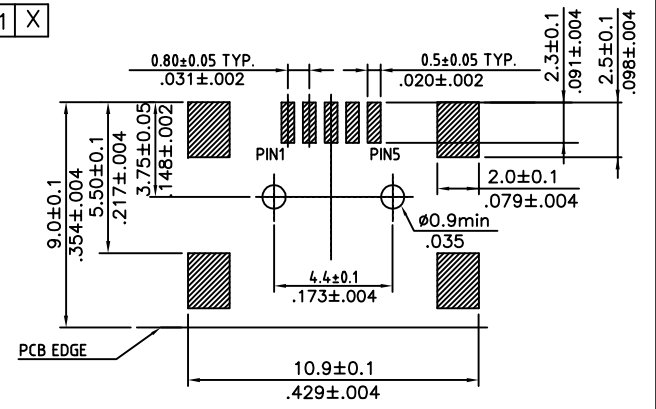
Packaging:
 TR - tape/reel w/pick up pad
 TU - tube
 T0 - tape/reel w/out pad

PLATING:
 6: Selective Au Flash/50u" Ni
 8: Selective 30u" Au/50u" Ni (USB 2.0)

- Material**
- Insulator: Glass Filled Polyamide
 - Flammability: UL94V-0
 - Contacts: Copper Alloy
 - Shell: Copper Alloy
 - Shell Plating: 120u" Tin over 30u" Nickel

- Ratings**
- Current: 1A
 - Voltage: 30V AC(r.m.s.)
 - Contact Resistance: <30mΩ
 - Insulation Resistance: >1000 MU
 - Dielectric Strength: 750V AC
 - Operating Temp: 0°C - +40°C
 - Storage Temp: -40°C - +60°C

RoHS Compliant



THESE DRAWINGS AND SPECIFICATIONS ARE THE PROPERTY OF ON-SHORE TECHNOLOGY, INC. AND SHALL NOT BE REPRODUCED, COPIED OR USED IN ANY MANNER WITHOUT THE PRIOR WRITTEN CONSENT OF ON-SHORE TECHNOLOGY, INC.



TITLE		Mini USB - SMT Board Mount - B Type			
PART NO.	USB-M2XFXX	DWG NO.	USB-M2XFXX.DWG		
APPROVED	CHECKED	DESIGNED	DRAWN	4050	
Stephen 2006.09.30	Marvin 2006.09.30	Sun 2006.09.30	Lee 2006.09.30	Tolerance	
				UNIT: mm/inches	X.* ±1"
				SCALE: NONE	X.X ±0.20/.008
				REVISION: B	X.XX ±0.10/.004
					X.XXX ±0.05/.002
SHEET: 1/1					