

**NOTE:**

METALIZED PLASTIC:

MATERIAL:

ABS HIGH TEMP PLASTIC 94HB

METALIZED PLATING:

NICKEL OVER COPPER

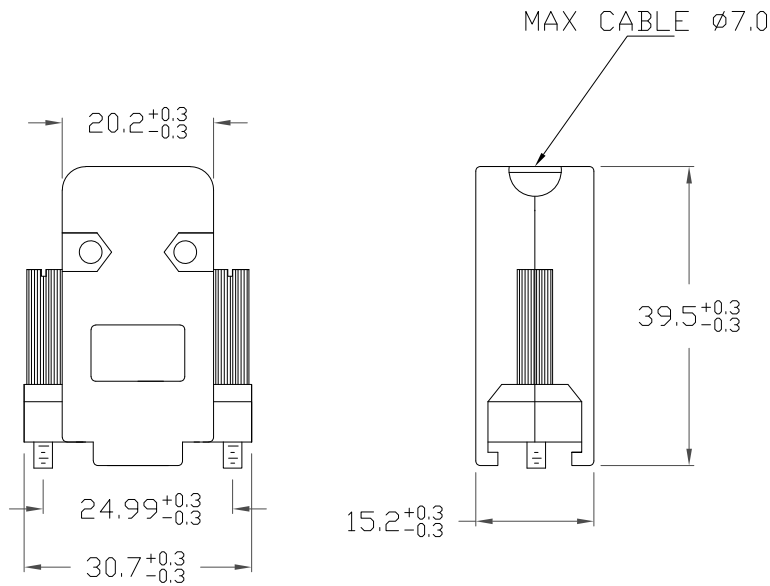
PLASTIC:

MATERIAL:

ABS HIGH TEMP PLASTIC 94HB

BACKSHELL KIT INCLUDES:

- (2x) BACKSHELL HALVES
- (2x) HOUSING SCREWS
- (2x) HOUSING NUTS
- (2x) #4-40 THUMBSCREWS
- (2x) STRAIN RELIEF CLAMPS
- (2x) STRAIN RELIEF SCREWS



**993-009-YYYYRYY1**

SERIES

MATERIAL

010 = PLASTIC

020 = METALIZED PLASTIC

COLOR

03 = GREY

12 = NICKEL OVER COPPER

**RoHS COMPLIANT**

UNITS = mm

**DO NOT SCALE FROM DRAWING**



THESE DRAWINGS AND SPECIFICATIONS ARE THE PROPERTY OF NorComp AND SHALL NOT BE REPRODUCED, COPIED OR USED AS THE BASIS FOR THE MANUFACTURE OR SALE OF APPARATUS WITHOUT WRITTEN PERMISSION.

DRAWN:

P. JENKINS

DATE:

09/15/2005

**NorComp**

SCALE:  
NTS

SHEET OF  
1 1

REV  
4

DWG NO.

**993-009-YYYYRYY1**