



Mallory Sonalert Products, Inc.

Part #:

SNP428

Sales Outline Drawing

Revision:

C

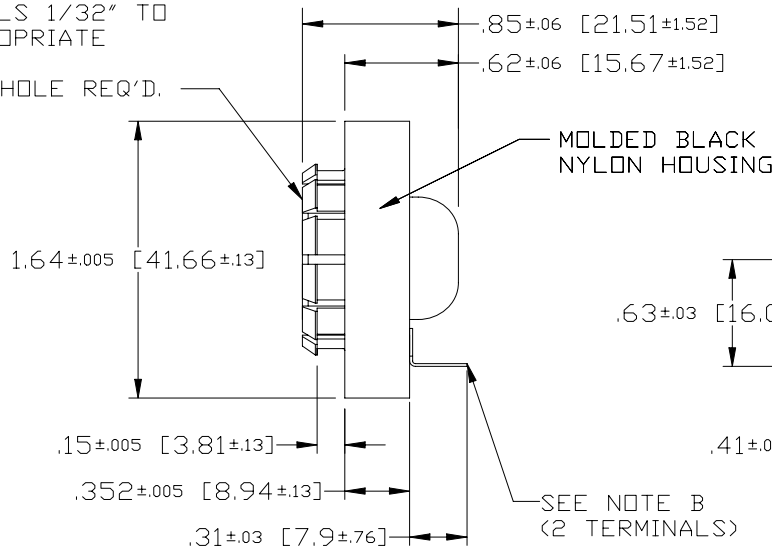
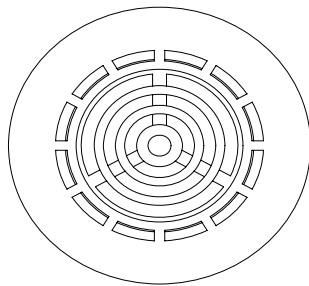
Specifications:

Sound Level Category	Medium
Mode of Operation	Continuous
Voltage Rating	4 to 28 VDC
Frequency	2900 ± 500 Hz
Loudness @ 2 FT	69 to 83 Typ.
Current Draw	3-18 mA
Housing Material	6/6 Nylon, Color: Black
Storage Temperature	-40° to +85° C
Operating Temperature	-30° to +65° C
Panel Mounting	Recommended hole size is 1.25"(31.75mm). Thread front will fit standard 30mm(1.181") hole.
Weight (Typical)	0.5 oz (17g)
Options	Please contact factory.

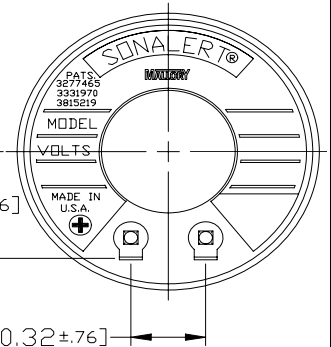
Dimensions: Inches (mm)

cUL Recognized

NOTE A:
 MOUNTING - THIS PORTION
 SNAP-LOCKS INTO PANELS 1/32" TO
 1/8" THICK USING APPROPRIATE
 COMPRESSION WASHER.
 1.063 ±.005 DIA. PANEL HOLE REQ'D.



MOLDED BLACK NYLON HOUSING



SEE NOTE B
(2 TERMINALS)

NOTE B:
 TERMINALS - .016 BRASS, HOT TIN FINISH WITH
 .076 WIRE HOLE. TERMINAL WILL ACCEPT
 STANDARD 1/8" QUICK CONNECT