

# Mallory Sonalert Products, Inc.

Part #: **SC616PU-1**

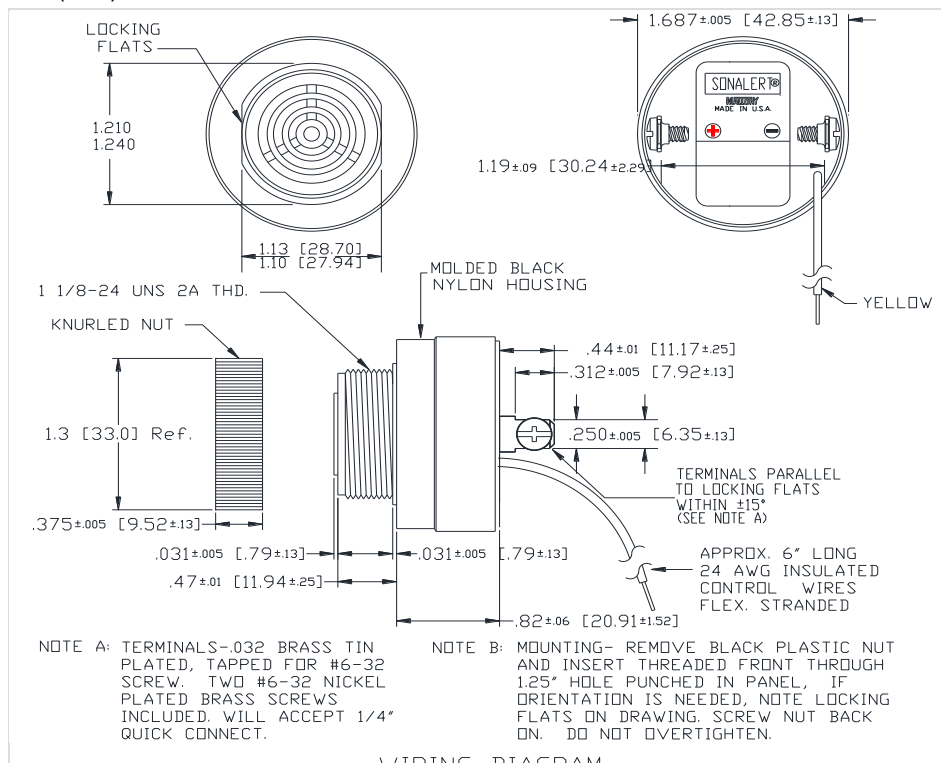
## Sales Outline Drawing

Revision: **E**

### Specifications:

|                       |  |
|-----------------------|--|
| Sound Level Category  | Medium   |
| Mode of Operation     | Continuous   |
| Voltage Rating        | 6 to 16 VDC  |
| Frequency             | 2900 ± 500 Hz  |
| Loudness @ 2 FT       | 80 to 90 dB(A) Typ.  |
| Loudness @ Min Vdc    | 68 dB(A) @ 2 Feet and 6 Vdc  |
| Loudness @ Max Vdc    | 78 dB(A) @ 2 Feet and 16 Vdc   |
| Current Draw          | < 30mA Typ.  |
| Housing Material      | 6/6 Nylon, Color: Black  |
| Storage Temperature   | -40° to +85° C   |
| Operating Temperature | -30° to +65° C   |
| Panel Mounting        | Recommended hole size is 1.25"(31.75mm). Thread front will fit standard 30mm(1.181") hole. |
| Knurled Nut           | Used to attach part to panel. The max recommended torque is 10 in-lbs.                     |
| Weight (Typical)      | 1.6 oz (45g)   |
| NEMA 3R,4X, & 12      | Approved with use of ACC03.  |
| Options               | Please contact factory.  |

### Dimensions: Inches (mm)



### WIRING DIAGRAM

