



FEATURES

- ▶ Low-cost, high-performance miniature snap-in DPM with annunciators
- ▶ Snap-in bezel mount eliminates mounting hardware
- ▶ Space-saving design: only .5" deep
- ▶ Occupies less than 1.75 X .95 inches of front panel space
- ▶ 3½ digits with high-contrast LCD
- ▶ Annunciators and decimal points

SPECIFICATIONS

DISPLAY

Digits: 3 ½ digits (±1999 counts)
 Type: 0.38" (9 mm) high-contrast reflective LCD
 Polarity: automatic, "-" displayed
 Decimal Points: 3 position, user-selectable
 Annunciators: BAT, °C, °F, ~, m, μ, MΩ, KΩ, V, A, HOLD, user-selectable
 Overrange: three lower order digits blank for inputs >1999 & < -1999
 Hold: available OEM option, contact factory

INPUTS

Ranges: ±200.0 mV, ±2.000 V
 Configuration: bipolar differential
 Protection: ±350 VDC, (±100 VDC on 200 mV range)
 Impedance: >10 MΩ, (>1 MΩ, on 2 V range)

PERFORMANCE

Accuracy: ±(0.1% +1 count) typical
 ±(0.1% + 2 counts) maximum
 Conversion Rate: 2.5 per second
 Normal Mode Rejection: >30 dB @ 60 Hz
 Common Mode Range: ±1 VDC
 Common Mode Rej.: >86 dB
 Zero Adjustment: automatic
 Warmup: 10 minutes typical
 Temperature Coeff.: ±100 ppm per °C typical

ENVIRONMENT

Operating Range: 0 to 50 °C
 Storage Range: -10 to 70 °C

POWER SUPPLY

5V powered: +5 VDC (± 5%) at 5 mA
 9V powered: +7.2-12 VDC at 300 μA

MOUNTING

snap-in bezel mount

CONNECTION

26 pins, in 2 rows

ORDERING INFO

PART NUMBER	METER INPUT	METER POWER
DK201	200mV	+5VDC
DK202	.2V	+5VDC
DK203	200mV	9VDC
DK204	.2V	9VDC

ACCESSORIES

PW2-5	Regulated 120V AC to 5V DC Power Supply
PW2-12	Regulated 120V AC to 12V DC Power Supply
CVC	Calibrator



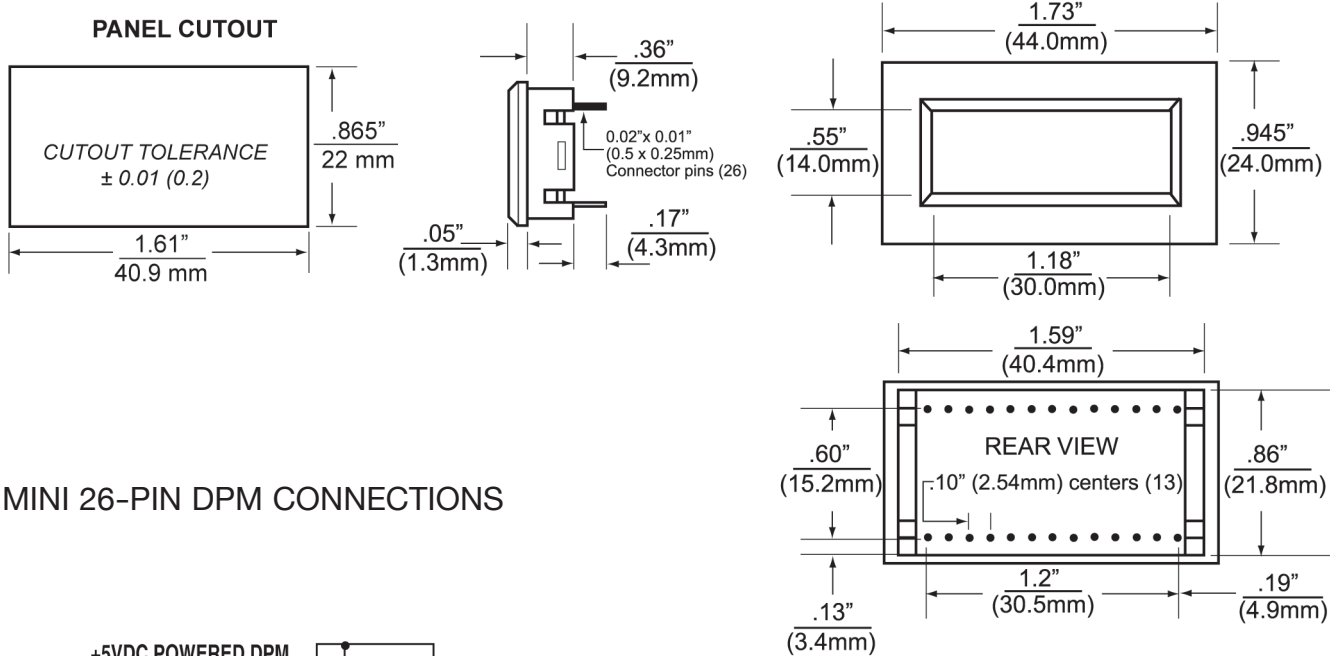
Specifications Installation and Operating Instructions LCD Digital Panel Meters

Miniature Bezel Mount 3½ Digit LCD

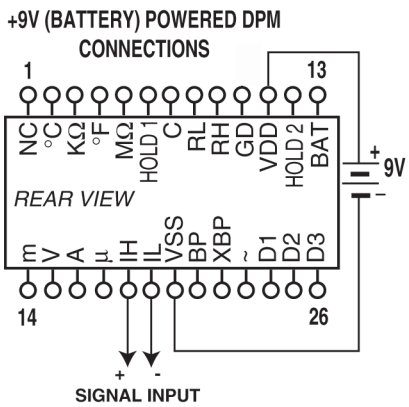
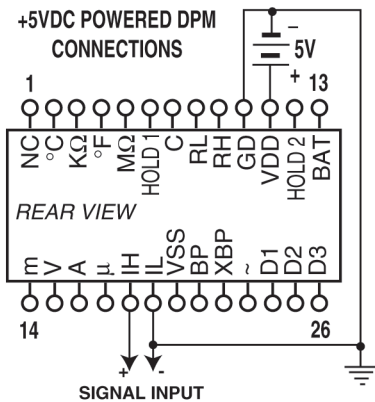
DK200



DIMENSIONS & WIRING



MINI 26-PIN DPM CONNECTIONS



CONNECTION DESCRIPTIONS

PIN # PIN NAME DESCRIPTION

PIN #	PIN NAME	DESCRIPTION
1		NO CONNECTION
2	°C	ANNUNCIATOR
3	KΩ	ANNUNCIATOR
4	°F	ANNUNCIATOR
5	MΩ	ANNUNCIATOR
6	HOLD1	CONNECT TO VDD TO HOLD DISPLAY
7	C	ANALOG COMMON
8	RL	REFERENCE LOW TERMINAL
9	RH	REFERENCE HIGH TERMINAL
10	GD	NEG POWER SUPPLY FOR 5V DPMS
11	VDD	POSITIVE DPM POWER SUPPLY
12	HOLD2	"HOLD" ANNUNCIATOR
13	BAT	ANNUNCIATOR
14	m	ANNUNCIATOR
15	V	ANNUNCIATOR
16	A	ANNUNCIATOR
17	μ	ANNUNCIATOR
18	IH	POSITIVE INPUT SIGNAL
19	IL	NEGATIVE INPUT SIGNAL
20	VSS	NEGATIVE POWER SUPPLY FOR 9V
21	BP	LCD BACKPLANE
22	XBP	ANNUNCIATOR & DECIMAL POINT DRIVER
23	~	ANNUNCIATOR
24	D1	1.XXX
25	D2	1X.XX
26	D3	1XX.X

} DECIMAL POINT

NOTES:

1. INPUT MUST BE ISOLATED FROM SUPPLY ON 9V POWERED DPM.
2. DISPLAY HOLDS READING WHEN "HOLD1" IS HIGH (CONNECTED TO "VDD"). READINGS ARE UPDATED WHEN OPEN. (OPTIONAL)
3. INPUT COMMON MODE RANGE IS ±1 V DC ON +5V POWERED DPMS.
4. TO TURN ON DECIMAL POINTS OR ANNUNCIATORS, CONNECT TO "XBP".