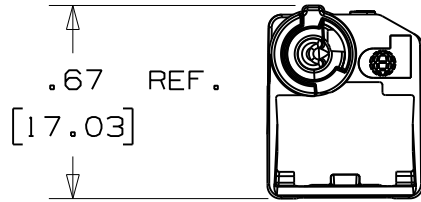
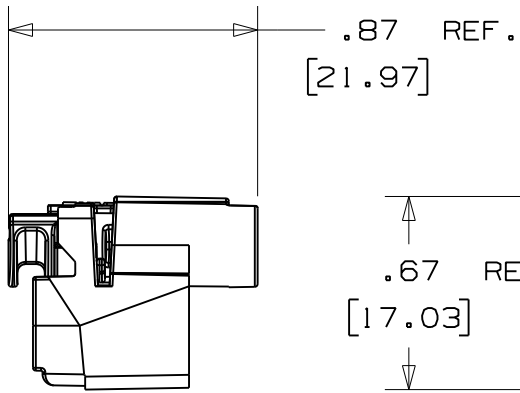
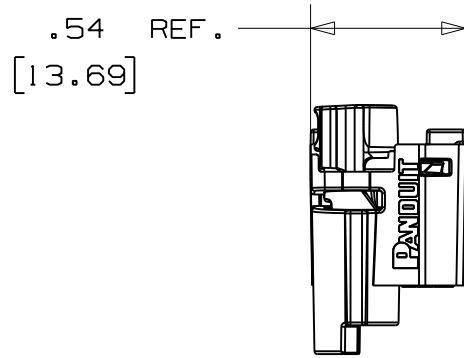
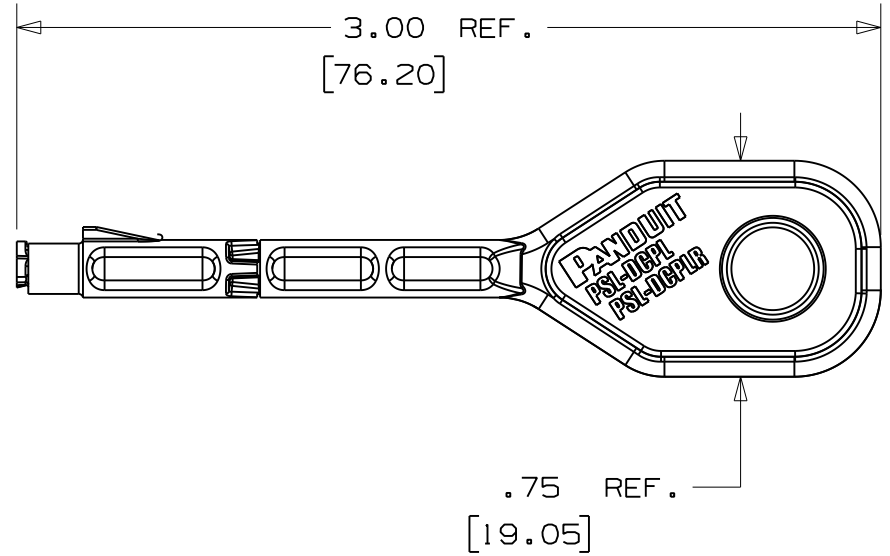


THIS COPY IS PROVIDED ON A RESTRICTED BASIS AND IS NOT TO BE USED IN ANY WAY DETRIMENTAL TO THE INTERESTS OF PANDUIT CORP.



PSL - DCPL



KEY

CAD FILENAME/LAYERS 100913AC\_C10608\_DCPL\_CD\_02.prt

PANDUIT CORP. TINLEY PARK, ILLINOIS

PSL - DCPL  
CUSTOMER DRAWING

UNLESS OTHERWISE SPECIFIED,  
DIMENSIONAL TOLERANCES ARE:  
(.X) ± .05 (.XXX) ± .010  
(.XX) ± .02 ANGLES ± 2°

UNLESS OTHERWISE SPECIFIED,  
ALL DIMENSIONS ARE GIVEN  
IN INCHES, THIRD ANGLE PROJECTION.

REV	DATE	BY	CHK	DESCRIPTION	ECN	R	CUST	SUP
2	04/01/08	MROB		DRAWING SIZE WAS 'B'	5380	2		
1	03/14/08	MROB	MSAD	UPDATED REFERENCE PARTS, REMOVED DCPLR. DRAWING SIZE WAS 'C'	5344	1		
0	08/24/07	MROB	MSAD	DRAWING RELEASED	5120	0		

DRAWN BY  
MROB  
DATE  
08/24/07  
CHK'D  
MSAD

MAT'L:  
LOCK-IN  
POLYCARBONATE  
KEY  
10% GF NYLON

SCALE  
1.5 : 1  
DRAWING NO.  
C10608  
DWG  
A  
SIZE