

HDT Series Micro Mini Surface Mount Detect Switches



Features/Benefits

- Low profile package
- Design allows top or side actuation
- Low actuation force, 35 grams max.
- Pick and place compatible, available in tape & reel packaging
- RoHS compliant and compatible
- Halogen free

Typical Applications

- Consumer electronics
- Computers
- Medical devices
- ATCA and MicroTCA devices

Specifications

CONTACT RATING: 1 mA 5 VDC
 MECHANICAL AND ELECTRICAL LIFE: 100,000 cycles min.
 CONTACT RESISTANCE: 500 m Ω max. initial.
 INSULATION RESISTANCE: 100 M Ω min. between adjacent contacts.
 OPERATING TEMPERATURE: -40°C to + 85°C
 STORAGE TEMPERATURE: -40°C to + 85°C
 PACKAGING: Tape & reel

Materials

BASE: PA 46 (UL94V-0)
 COVER: PA 46 (UL94V-0)
 ACTUATOR: PA 46 (UL94V-0)
 MOVABLE BLADE: Stainless Steel, Ag over Ni plating.
 TERMINALS: Phosphor Bronze, Ag plating.
 SOLDERABILITY: Lead free compatible - No clean.

NOTE: Specifications and materials listed above are for switches with standard options. For information on specific and custom switches, consult Customer Service Center.

Build-A-Switch

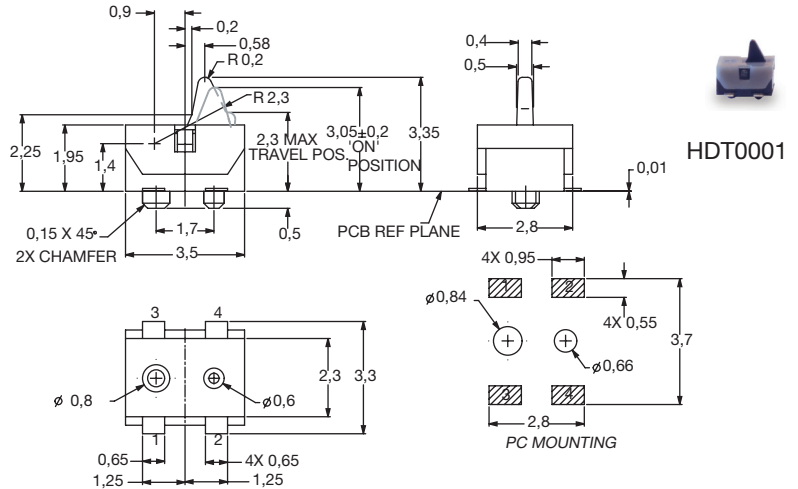
Complete part numbers for HDT Series are shown below.

| PART NUMBER | PACKAGING | SCHEMATIC |
|----------------|-------------------------------|-----------|
| HDT0001 | TAPE & REEL 2,450 per reel | |

NOTE: Available with no locating posts by adding "NP" (HDT0001NP) to Part Number.

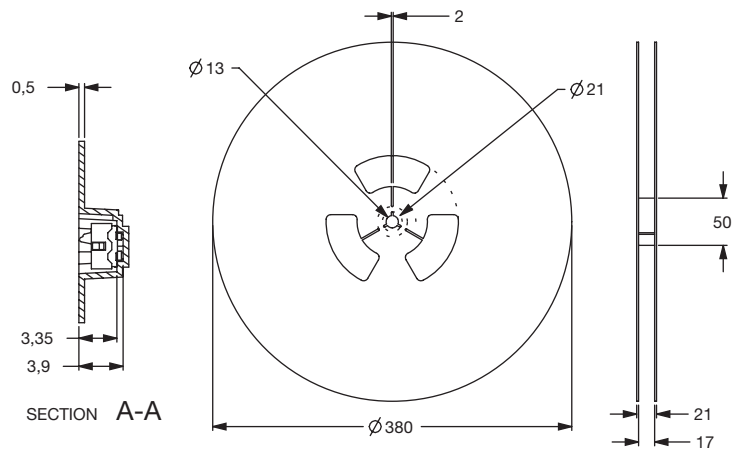
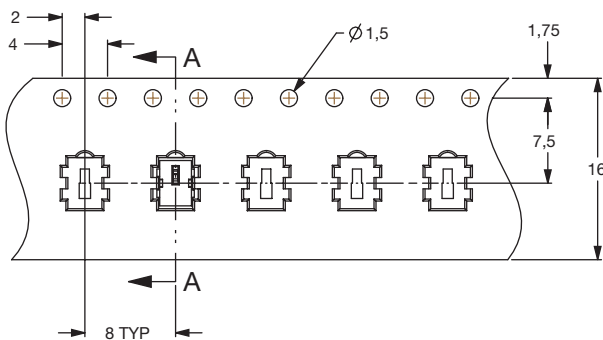
TRAVEL:

Pre-travel: 0.3 mm
 Overtravel: 0.75 mm
 Total: 1.05 mm



TAPE & REEL

HDT0001



Third Angle Projection

Dimensions are shown: mm
 Specifications and dimensions subject to change



HDT Series Micro Mini Surface Mount Detect Switches

HDT0004

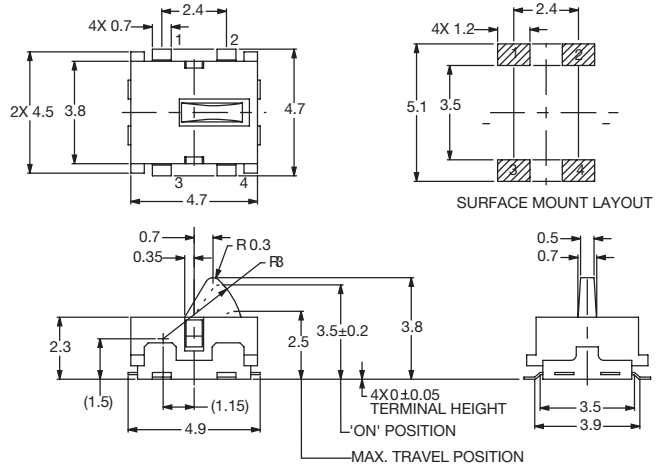


HDT0004

| PART NUMBER | PACKAGING | SCHEMATIC |
|----------------|-------------------------------|-----------|
| HDT0004 | TAPE & REEL 2,800 per reel | |

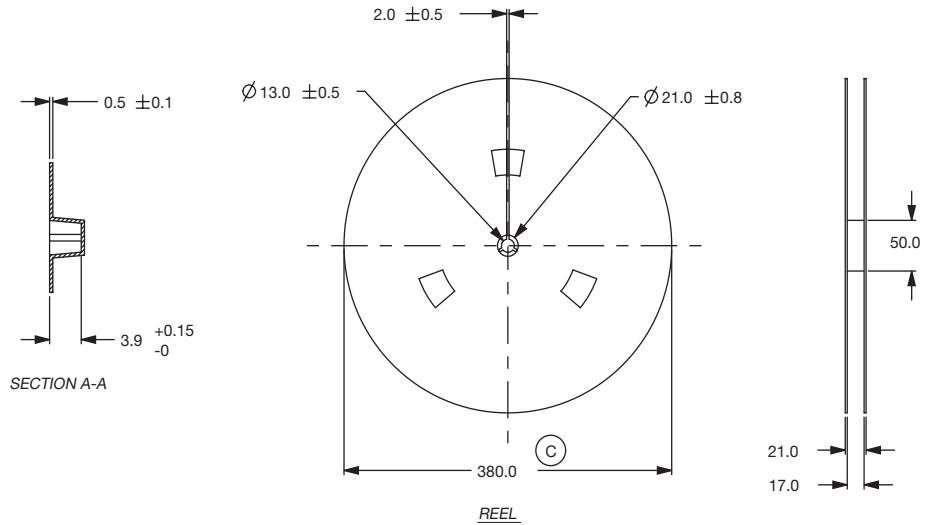
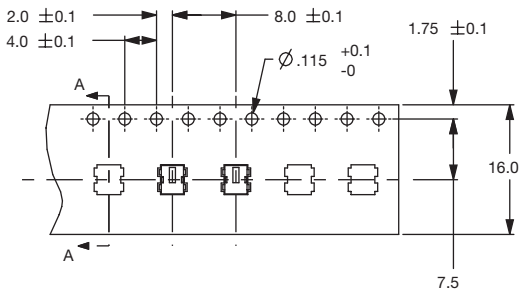
TRAVEL:

Pre-travel: 0.3 mm
Overtravel: 1.0 mm
Total: 1.3 mm



TAPE & REEL

HDT0004



HDT0104



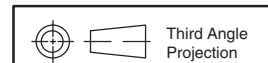
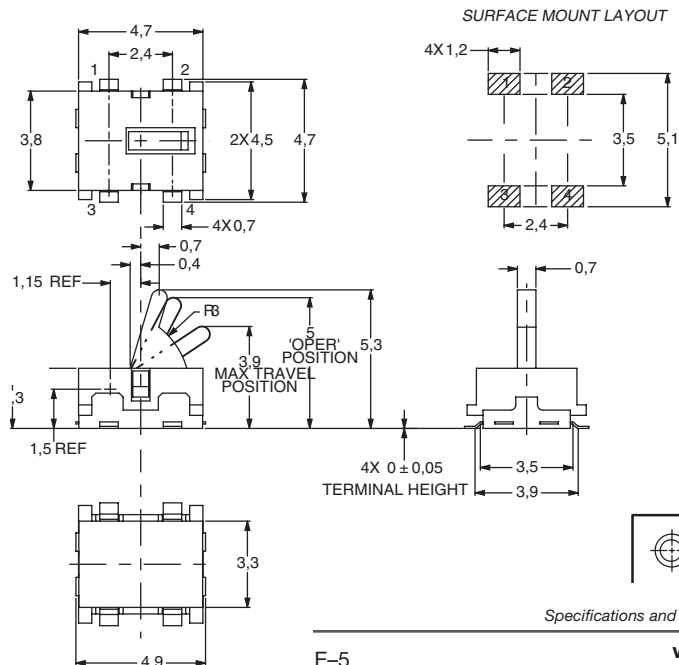
HDT0104

| PART NUMBER | PACKAGING | SCHEMATIC |
|----------------|-------------------------------|-----------|
| HDT0104 | TAPE & REEL 2,500 per reel | |

NOTE: This product comes without locating post

TRAVEL:

Pre-travel: 0.3 mm
Overtravel: 1.1 mm
Total: 1.4 mm



Dimensions are shown: mm
Specifications and dimensions subject to change



29 Sep 21

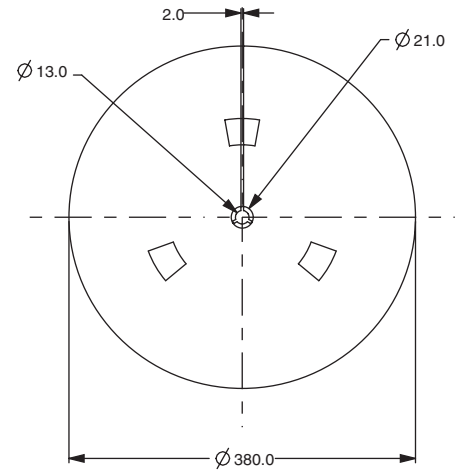
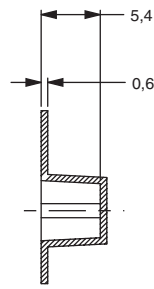
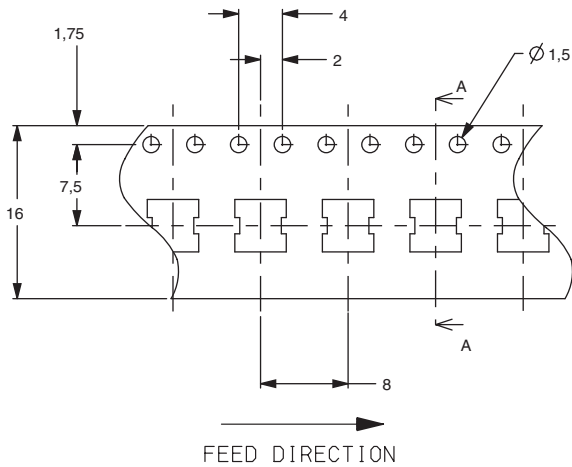


Detect

HDT Series Micro Mini Surface Mount Detect Switches

TAPE & REEL

HDT0104



HDT0204



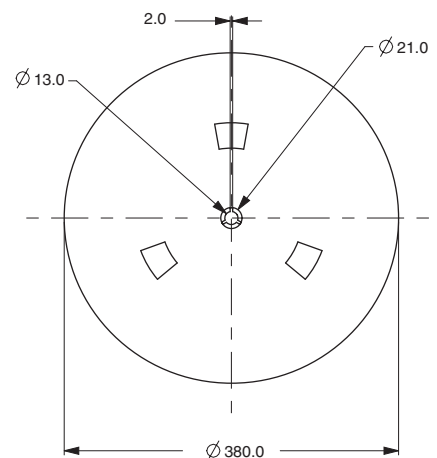
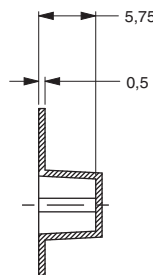
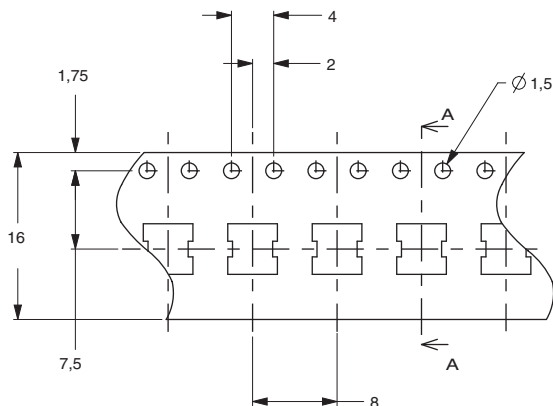
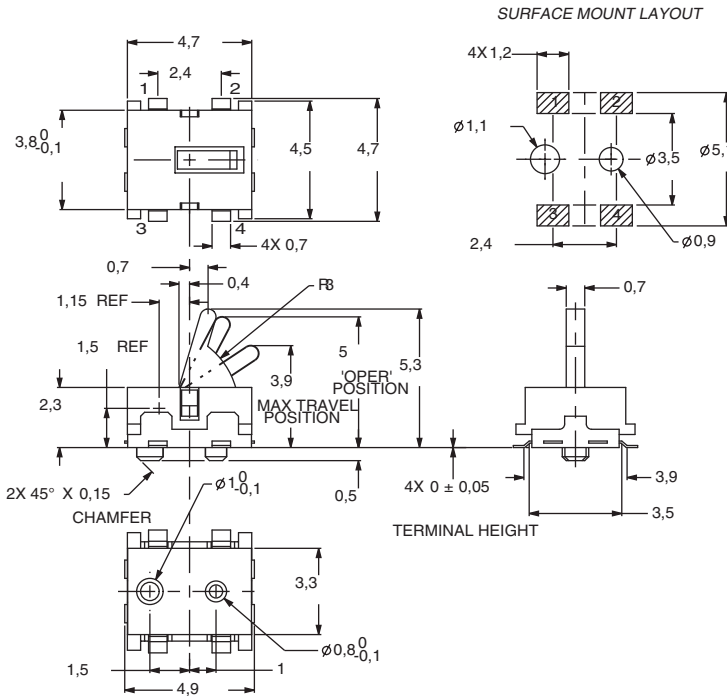
HDT0204

| PART NUMBER | PACKAGING | SCHEMATIC |
|----------------|-------------------------------|-----------|
| HDT0204 | TAPE & REEL 1,400 per reel | |

NOTE: This product comes with locating post

TRAVEL:

- Pre-travel: 0.3 mm
- Overtravel: 1.1 mm
- Total: 1.4 mm



Detect



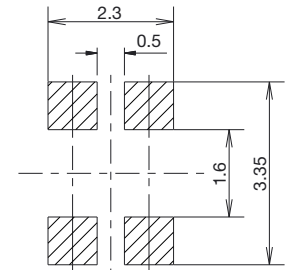
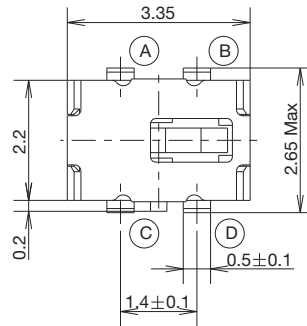
HDT Series Micro Mini Surface Mount Detect Switches

HDT0301



HDT0301

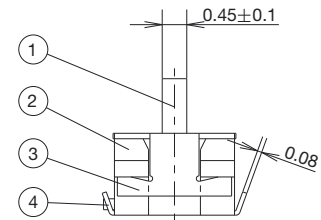
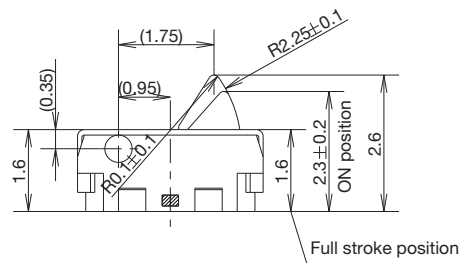
| PART NUMBER | PACKAGING | SCHEMATIC |
|----------------|-------------------------------|-----------|
| HDT0301 | TAPE & REEL 3,000 per reel | |



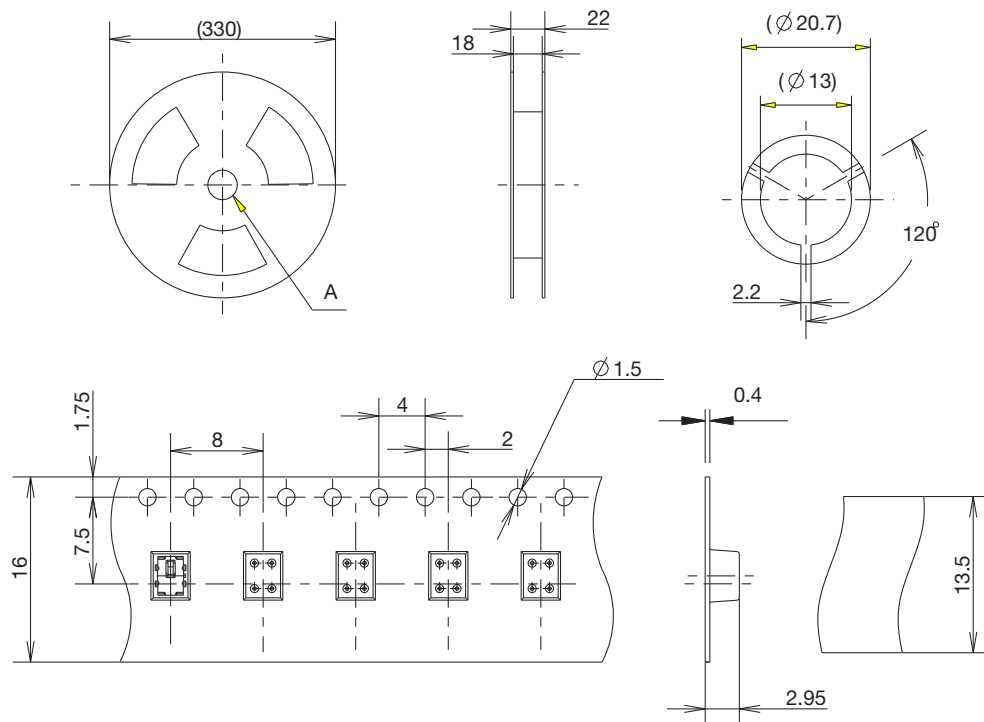
PCB LAND DIMENSION ± 0.05

TRAVEL:

- Pre-travel: 0.3 mm
- Overtravel: 0.7 mm
- Total: 1.0 mm



TAPE & REEL



→ Roll-direction



Detect