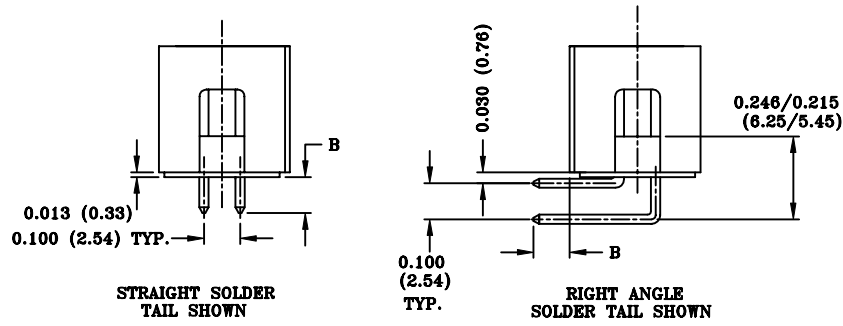


This document is the property of Amphenol Corporation and is delivered on the express condition that it is not to be disclosed, reproduced or used in whole or in part, for manufacture or sale by anyone other than Amphenol Corporation without its prior consent, and that no right is granted to disclose or to use any information in this document.

REVISIONS				
SYM	ZONE	DESCRIPTION	DATE	APPROVED
A	ECN#HK699	RELEASE TO CUSTOMER AND SUPERSEDE THE OLD DWG C821-XXXX-XXX	11/24/94	IP
B	ECN#HK1104	ZONE D3, ADD DIM 6.25-5.45 PER CUSTOMER REQUEST	12/08/95	NELSON



SIZE	A±.010 (.25)	D±.010 (.25)
10	0.790 (20.07)	0.700 (17.78)
14	0.990 (25.15)	0.900 (22.86)
18	1.090 (27.69)	1.000 (25.40)
20	1.290 (32.77)	1.200 (30.48)
26	1.590 (40.39)	1.500 (38.10)
30	1.790 (45.47)	1.700 (43.18)
34	1.990 (50.55)	1.900 (48.26)
36	2.090 (53.09)	2.000 (50.80)
40	2.290 (58.17)	2.200 (55.88)
50	2.790 (70.87)	2.700 (68.58)
60	3.290 (83.57)	3.200 (81.28)
64	3.490 (88.65)	3.400 (86.36)

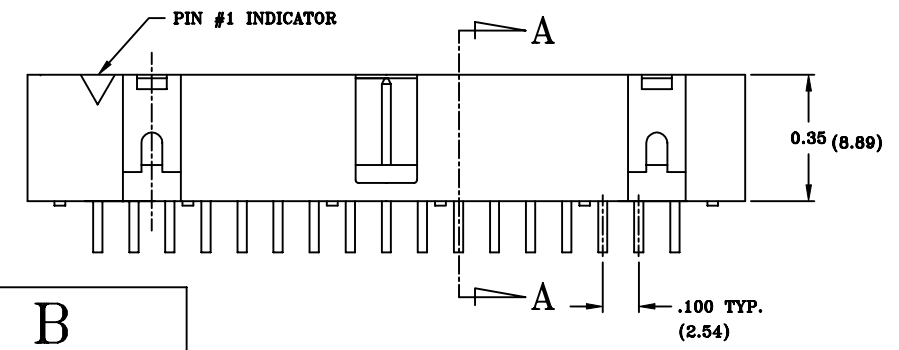
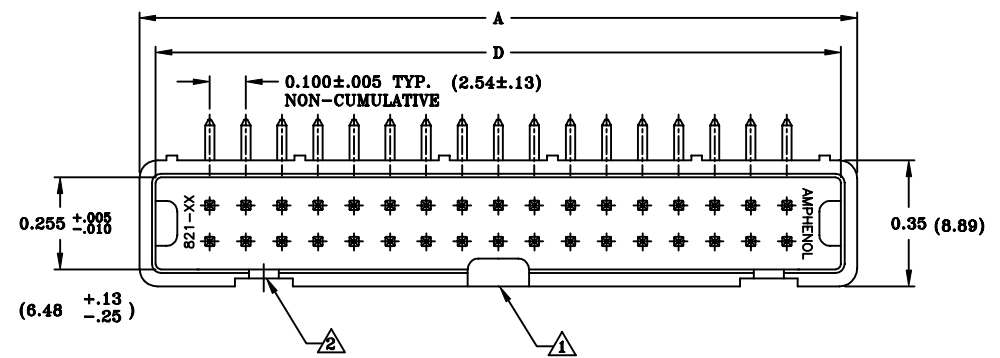
**OPERATING CHARACTERISTICS**

- CURRENT CAPACITY: 1 Amp (DC) PER CONTACT.
- VOLTAGE RATING (SEA LEVEL): 1500 VAC RMS.
- OPERATING TEMPERATURE: -55°C TO +105°C.
- BODY CONTACT RETENTION: 7 LBS. (IN BOTH DIRECTIONS)
- LOW LEVEL CONTACT RESISTANCE: 50 MILLIOHMS (MAX.)
- INSULATION RESISTANCE: 5000 MEGOHMS (MIN.)
- DIELECTRIC WITHSTANDING VOLTAGE: 1500 AC RMS (AT SEA LEVEL)

**PART NUMBER SYSTEM**

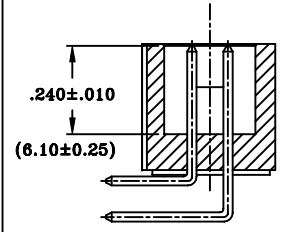
821 - A X XX P - XX X 0 0 X

- COLOR**  
0 - GREY  
2 - BLACK
- SIZE**  
(SEE CHART)
- PLATING**  
AF: NICKEL UNDERPLATE  
15 MICROINCHES GOLD  
ON POSTS: TIN/LEAD  
ON TAILS.  
AM: NICKEL UNDERPLATE  
30 MICROINCHES GOLD  
ON POSTS: TIN/LEAD  
ON TAILS  
AA: NICKEL UNDERPLATE  
GOLD FLASH ON POST:  
TIN/LEAD ON TAIL
- OPTION**  
NIL - STD  
S - CENTER POLARIZING  
SLOT PRESENT (THIS  
OPTION IS APPLIED  
FOR 10 WAYS ONLY)
- STD TYPE WITHOUT LATCH**
- CONTACT CHARACTERISTICS**  
A: SHORT, STRAIGHT SOLDER TAIL  
B: LONG, STRAIGHT SOLDER TAIL  
C: SHORT, RIGHT ANGLE SOLDER TAIL  
D: LONG, RIGHT ANGLE SOLDER TAIL  
E: STRAIGHT, WIRE WRAP  
F: RIGHT ANGLE, WIRE WRAP



- NOTES: UNLESS OTHERWISE SPECIFIED**
- △ CENTER POLARIZING SLOT ABSENT ON SIZE 10, IF THE SLOT IS REQUIRED IN 10 WAYS, A "S" IS REQUIRED TO BE ADDED AT THE END OF THE P/N.
  - △ POLARIZING KEY SLOT ABSENT IN THIS AREA ON SIZES 10 AND 14.
  - ALL DIMENSIONS ARE IN INCHES.
  - THIS HEADER MATES WITH IDC SOCKET ( AMPHENOL 812 SERIES SOCKET )
  - RECOMMENDED PRINTED CIRCUIT BOARD LAYOUT:  
SPACING: 0.100 ± 0.003 (2.54±.08)  
DIA. OF HOLES: 0.040 ± 0.003 (1.02±.08)
  - MATERIALS:**  
HOUSING: GLASS REINFORCED POLYESTER, UL94V-0, COLOR-GRAY OR BLACK.  
CONTACTS: PHOSPHOR BRONZE ALLOY.  
FINISH: GOLD THICKNESS PLATED ON THE MATING LENGTH REFER TO THE PART NUMBER SYSTEM AND 100-200u" TIN/LEAD PLATED ON THE TAIL WITH 50-100u" NICKEL UNDERPLATED ALLOVER.
  - MAX. CONTACT ROTATION ALLOWED 3°
  - DIMENSIONS IN BRACKET ARE IN MM.

CONTACT CHARACTERISTICS		
STR.	R/A	
E	F	.610±.015 (15.49±.38)
B	D	.160±.010 (4.06±.25)
A	C	.100±.010 (2.54±.25)



UNLESS OTHERWISE SPECIFIED	APPROVAL	DATE
<b>TOLERANCES</b>	DRAWN NELSON	12/08/95
U.S. METRIC	CHECKED NELSON	12/08/95
X +/- .015	CHECKED	
XX +/- .010		
XXX +/- .005		
FRACTIONS +/-		
ANGLES +/- 2.5°		
FOR MATERIALS AND FINISHES SEE NOTES	DRAWING FILE:	
REMOVE SHARP EDGES	\DRAWING\821\C821XXPX.DWG	
<b>DIMENSIONS</b>	ANGLE OF PROJECTION	
U.S. INCHES		
(METRIC)		

**CUSTOMER DRAWING**

**Amphenol**  
Amphenol East Asia Limited  
Manufacturing Operation

**TITLE**  
821 BOX HEADER

**SIZE** A3  
**DRAWING NO.** C821-AXXP-XXX00X  
**REV.** B

**SCALE** NONE  
**SHEET** 1 OF 1