

**Specification:**

**1. Electrical Char**

Insulation Resistance: 500MΩ min. 500V DC for 1 minute

Contact Resistance: 20mΩ max.

Rating Current: 1.5A max.

Rating Voltage: 120V AC

Dielectric Voltage: 1000 Vrms at 1MA 60 sec. min.

**2. Physical Char**

Housing: PBT Glass filled (UL 94V-0) Color: Black

Soldering Temperature: 235°C for 5 sec.

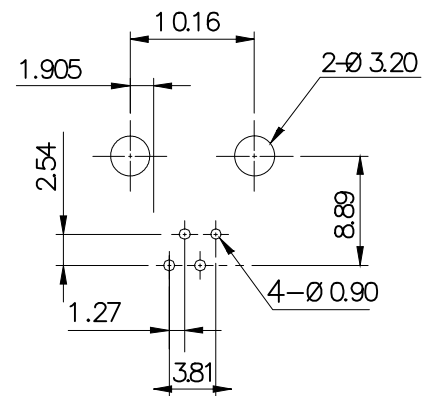
Spring Wire: 0.45mm Dia Phosphor Bronze

6u" Gold plating over Nickel

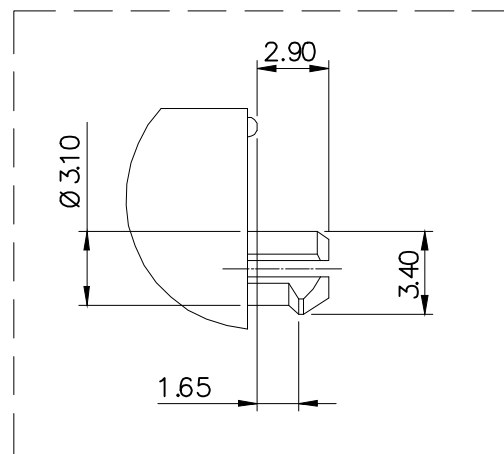
Temperature Range: -40°C to +85°C

Durability: 500 mating cycles min.

**3. Packing: Tray**



PCB LAYOUT  
(Top View)



A(2:1)

**RoHS compliant**  
Unit:mm

Scale	Free				Date	Name	Customer-No.
<b>TOLERANCE</b>					Drawn	04.08.2016	Winnie
.XX	±0.20				Approved	11.03.2020	Winnie
.XXX	±0.13						
.XXXX	±0.05						
DIM	TOL	①					
		①	Correct pin counts to 6P4C	11.03.2020	Winnie		
		②	Drawn	04.08.2016	Winnie		
Angle	+0°30'	Id.	Modification	Date	Name		

ASSMANN WSW-No. <b>A-2014-0-4-R</b>	
Drawing-No. <b>ASS 7327 CO</b>	rev01
Replace	SHEET

