

A

B

C

D

E

F

G

H

A

B

C

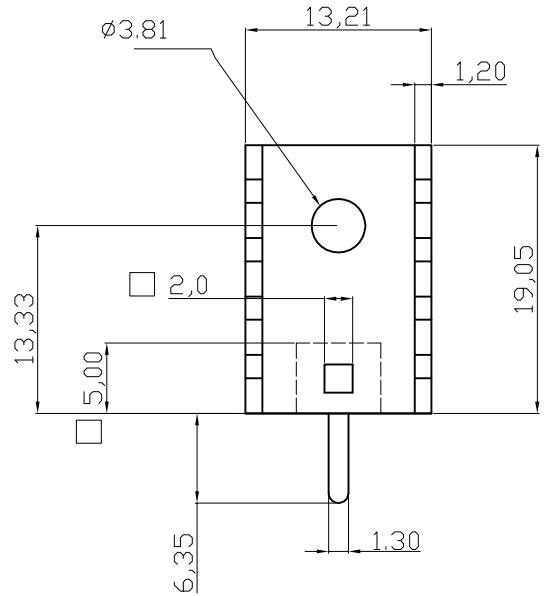
D

E

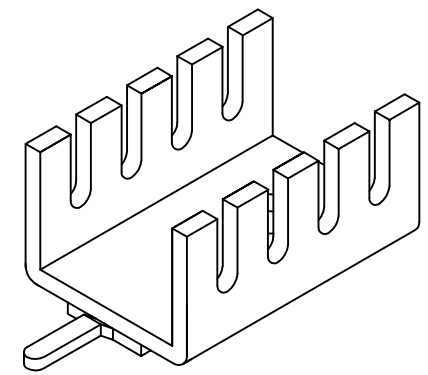
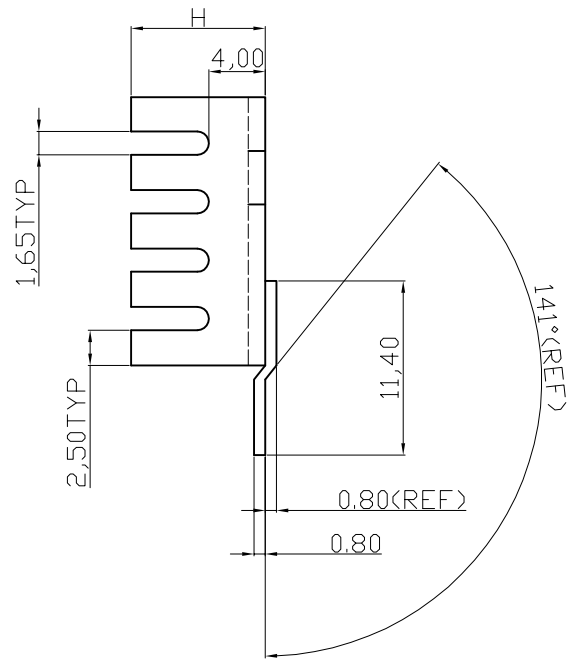
F

G

H



PIN MATERIAL:BRASS TIN PLATED



Notes
Material : ALUMINUM 1100 T=1.2
Finished : Black anodize

Option	H	Thermal resistance
④ V7237A	6.35	28
V7237B	9.53	24
V7237C	12.70	21

RoHS compliant
Unit: mm

Scale	FREE	⑦	Add the thermal graph	15.10.2021	Segal		Date	Name	Customer-No.			
TOLERANCE		⑥	Add the thermal graph	28.09.2021	Segal	Drawn	08.03.2002	Hellwig	ASSMANN WSW-No. V7237x			
UNIT	±0.2	⑤	Change production plant	31.10.2013	Amy	Approved	15.10.2021	Segal				
		④	Add P/N	21.10.2013	A.Plate							
DIM	TOL	③	Modify drawing layout	10.03.2010	Alex							
X.°	±X°	②	Update	11.08.2009	Dean					Drawing-No.	ASS 0513 HS	rev07
X.X°	±X°									Replace		Sheet 1/2
Angle	TOL	Id.	Modification	Date	Name							

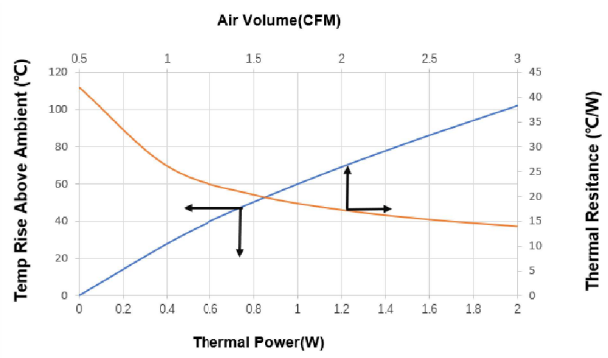
A

A

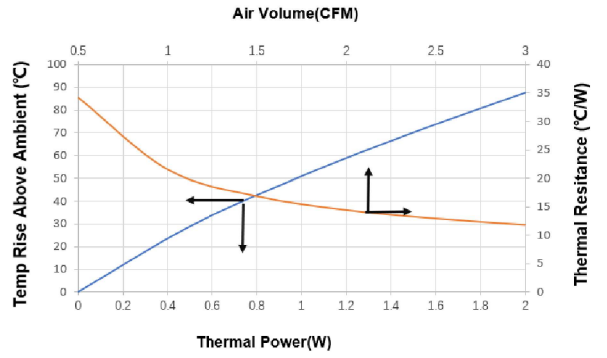
B

B

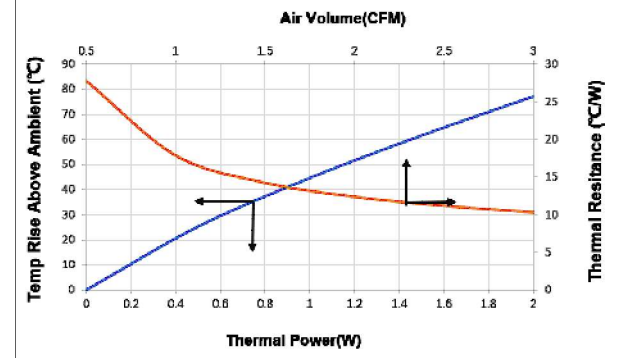
⑦ Thermal Resistance graph of V7237A



⑦ Thermal Resistance graph of V7237B



⑦⑥ Thermal Resistance graph of V7237C



E

E

F

F

RoHS compliant
Unit: mm

Scale	FREE	⑦	Add the thermal graph	15.10.2021	Segal		Date	Name	Customer-No.	
TOLERANCE		⑥	Add the thermal graph	28.09.2021	Segal	Drawn	08.03.2002	Hellwig		
UNIT	±0.2	⑤	Change production plant	31.10.2013	Amy	Approved	15.10.2021	Segal		
		④	Add P/N	21.10.2013	A.Plate					
DIM	TOL	③	Modify drawing layout	10.03.2010	Alex				Drawing-No.	
X.°	±X°	②	Update	11.08.2009	Dean					ASS 0513 HS
X.X°	±X°								Replace	Sheet 2/2
Angle	TOL	Id.	Modification	Date	Name					

ASSMANN WSW-No.		V7237x
Drawing-No.		
ASS 0513 HS		rev07
Replace		Sheet 2/2

H

H