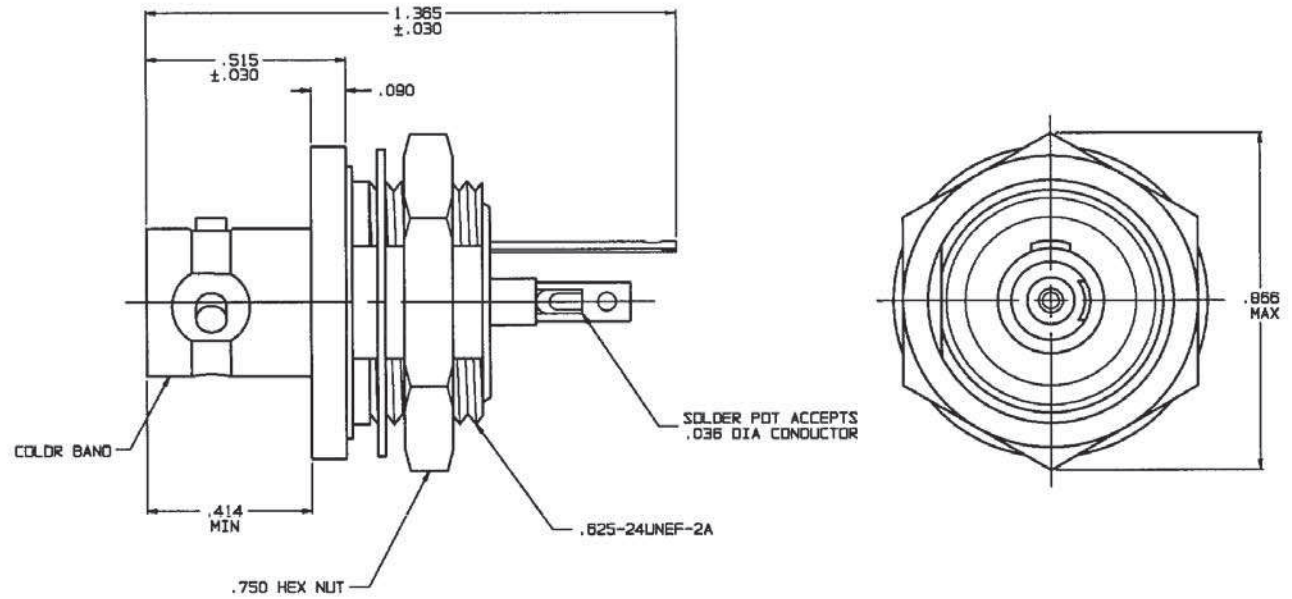
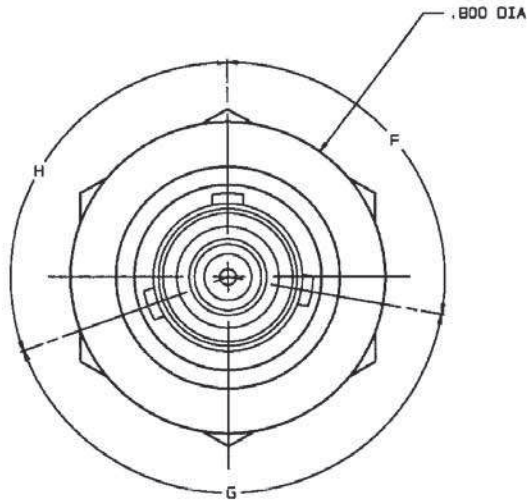


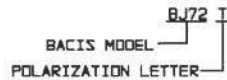
POLARIZATION CHART

KEYING LETTER	F DEGREES	G DEGREES	H DEGREES	COLOR BAND
T	100°	150°	110°	RED
U	120°	130°	110°	ORANGE
V	115°	130°	115°	YELLOW
W	125°	110°	125°	GREEN
X	130°	100°	130°	BLUE
Y	110°	140°	110°	VIOLET
Z	100°	180°	100°	GRAY
S	135°	135°	90°	WHITE
NONE	120°	120°	120°	NONE



-1 SHOWN

5. EXAMPLE OF COMPLETE MODEL NO:

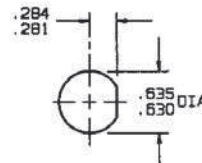


4. MAX PANEL THK .140

3. CONCENTRIC TWINAX/TRIAX TRB INSULATED BULKHEAD MOUNT SOLDER POT RECEPTACLE

2. FINISH: NICKEL

1. ALL DIM ARE IN INCHES



RECOMMENDED
PANEL CUTOUT
SCALE: 1/1

QTY	DESCRIPTION	PART NUMBER	ITEM
TOL UNLESS SPECIFIED .XX ± .XXX ± XXXXX ANGLES	.005	TROMPETER ELECTRONICS, INC.	BJ72
OWN DKC 7-20-94	MATERIAL	CODE IDENT	DRAWING NO.
CHK BWA 7-26-94		14949	1-0160
ENGR			REV R
APPR			SCALE 4/1
NEXT ASSY		DATE 11/18/88	SHEET 1