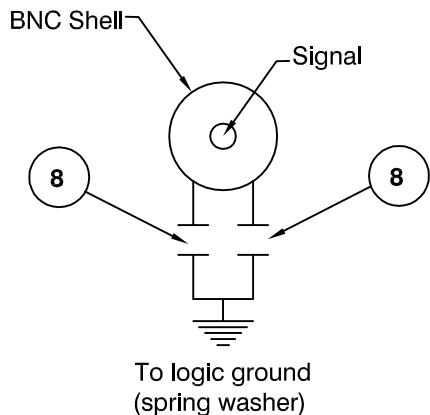
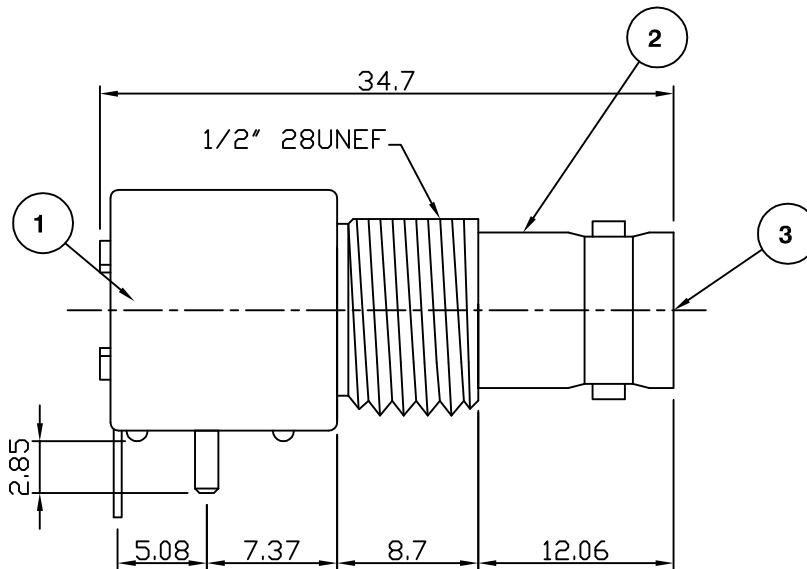
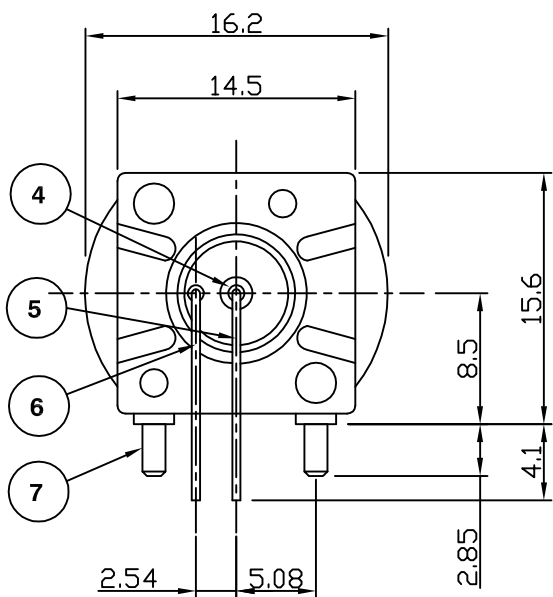
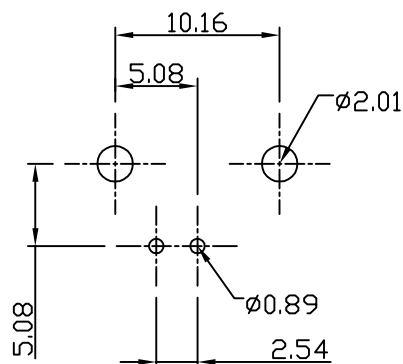


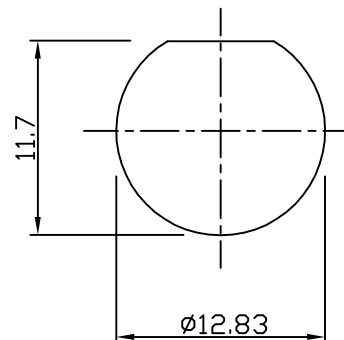
RoHS COMPLIANT



Capacitor Circuit Diagram



Recommended PCB Layout



Panel Cut-out

Electrical Characteristics
 Nominal Impedance: 75 ohms
 Frequency Range: DC to 1 GHz
 Operating Voltage (rms): 500 V maximum at sea level
 Dielectric Withstand Voltage (rms): 1500 V maximum at sea level
 Contact Resistance: 3.0 milliohms maximum
 Insulation Resistance: 5000 megohms minimum

Mechanical Characteristics
 Mating Cycles: 500 cycles minimum
 Interface Dimensions: Conform to MIL-C-39012

Environmental Characteristics
 Temperature Range: -65 °C to +165 °C

PART	DESCRIPTION
1 Body	PBT + 30% Glass Fibre (UL:94V-0)
2 Body	Zinc Alloy, nickel plated
3 Insulator	Polypropylene
4 Contact	Phosphor bronze, gold plated (Interface)
5 Signal Lead	Copper clad steel, tin plated
6 Ground Terminal	Copper wire, tin plated
7 Mounting Post	Brass, tin plated
8 Ceramic Chip Capacitor X 2	4700 pF ±10%

Corrected note Item 5, was tin lead	MS	2	05 Sep 13
First Issue	SN	1	11 Dec 01
DESCRIPTION OF REVISION	APPVD	ISS	DATE

Cinch Connectivity Solutions
 11 Bilton Road,
 Chelmsford, Essex,
 CM1 3AA,
 UK.
 Tel: +44 (0) 1245 359515
 Fax: +44 (0) 1245 358938

SCALE: Not To Scale	DRAWN BY: S Nash
DIMENSIONS: mm	CHECKED BY: P Couzens
TOLERANCES: ± 0.2mm unless otherwise stated	APPROVED BY: M Nielsen
	DATE: 11 Dec 01

TITLE:
**BNC Right Angle PCB Mount
 Jack Filter Connector**

PART NUMBER:
VBF201-75
 PAGE: 1 of 1